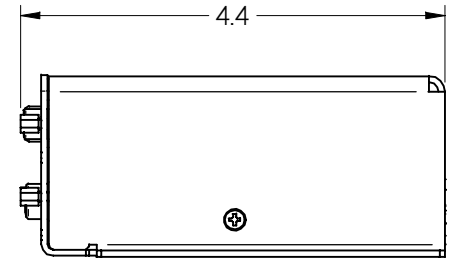
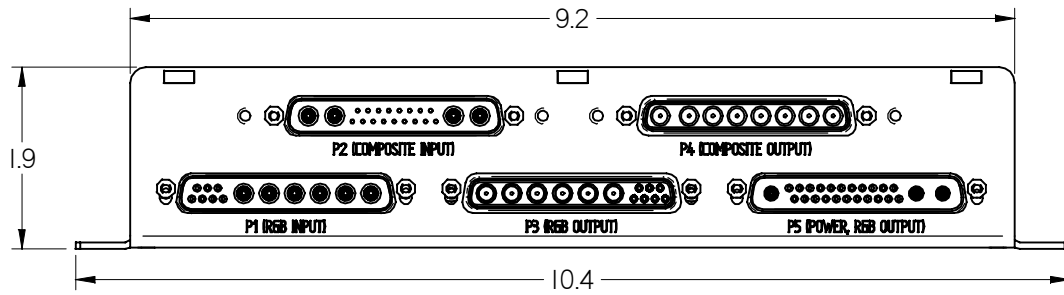
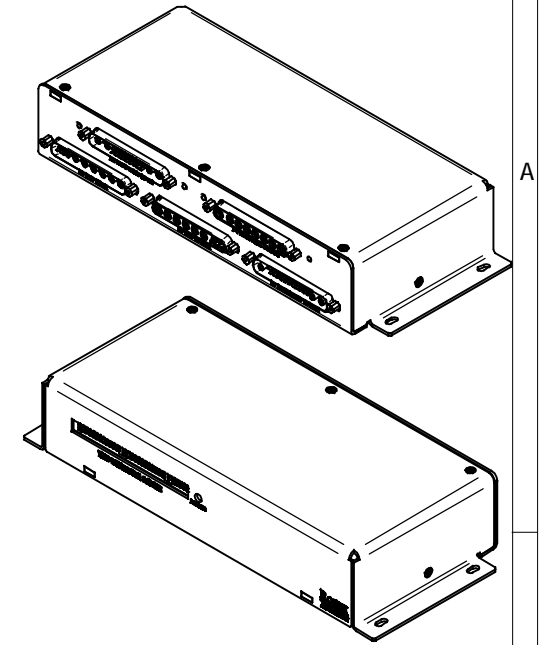
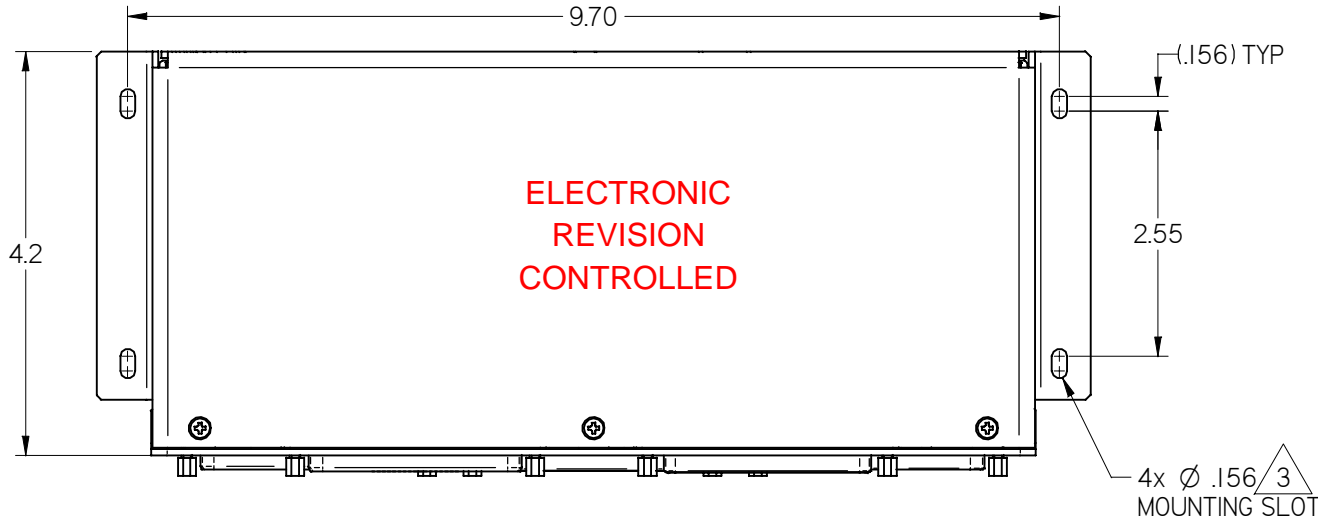


NOTES: (unless otherwise specified)

1. ASSEMBLY WEIGHT: 1.59 LBS. ±5%
2. SOME MINOR PARTS, LABELS AND INSTRUCTIONS OMITTED FOR CLARITY
3. INSTALL USING ALL FOUR SLOTS
4. USE SHIELDED TWISTED PAIR CABLING
5. DO NOT PLUG OR UNPLUG AMPLIFIER WHEN POWER IS APPLIED
6. CARE MUST BE TAKEN TO KEEP DEBRIS FROM ENTERING THE UNIT DURING INSTALLATION AND OPERATION
7. ASSEMBLE MATING HARNESSES PER IPC/WHMA-A-620 CLASS 2

2 REVISIONS

ZONE	REV	DESCRIPTION	DATE	BY	CHG NO	APRV
	A	INITIAL DRAWING RELEASE	08/05/08	GJH	EC08245	
	B	UPDATE PER REDLINES	10/01/08	GJH	EC08402	DRF
	C	CHANGE CONNECTOR KIT P/N'S	10/14/08	DRF	EC08300	DRF
PG2	D	CORRECT P2 LABELS	10/16/08	DRF	EC08442	SC
	F	CHG WEIGHT FROM 1.5LB	11/14/08	GJH	EC08488	DRF



THE INFORMATION CONTAINED HEREIN IS PROPRIETARY TO ROSEN AVIATION, LLC. IT SHALL NOT BE REPRODUCED OR DISCLOSED IN WHOLE OR IN PART OR USED FOR ANY DESIGN OR MANUFACTURE EXCEPT WHEN SUCH USER POSSESSES DIRECT, WRITTEN AUTHORIZATION FROM ROSEN AVIATION. THIS DRAWING MAY BE COVERED UNDER ONE OR MORE U.S. OR INTERNATIONAL PATENTS. PLEASE CONTACT ROSEN AVIATION FOR SPECIFIC INFORMATION.

**ROSEN AVIATION**  
 1020 OWEN LOOP SOUTH  
 EUGENE, OREGON 97402  
 TEL: (541) 342-3802 FAX: (541) 342-4912

APPROVALS	INITIAL	DATE
DRAWN BY	GJH	05/08/08
CHECKER	SC	07/23/08
ENGINEER	JBM	08/05/08

UNLESS OTHERWISE SPECIFIED DIMENSIONS ARE IN INCHES  
 .X = ± .1  
 .XX = ± .03  
 = ± 5.0°  
 RADI = ± .020  
 INTERPRET DIM AND TOL PER ASME Y14.5M - 1994

TITLE  
**OUTLINE & INSTALLATION DRAWING,  
 VIDEO DISTRIBUTION AMPLIFIER**

DWG NO 0700-006-CD		
SIZE A		REV F
SCALE 1:2	SHEET	1 OF 2

FIRST CALLED FOR: (FCF)

REFER TO [www.rosenaviation.com](http://www.rosenaviation.com) FOR THE LATEST REVISION INFORMATION.

## Performance Specifications (Reference)

### Power Requirements

Nominal Voltage/Current	28VDC/180mA
Inrush Current	32A for 100 $\mu$ sec
Op Voltage Range	18-32VDC
Maximum Current Draw	280mA +/- 10%
Power Consumption	5.4W

### Environmental Specifications

Operating Temperature	0°C to 50°C
Altitude	A1
Humidity	CAT. A
Vibration	CAT. S, CURVE B
Power Input	Z/B
Radio Frequency Susceptibility	CAT. T
Emission of RF Energy	CAT. B

## P2 - Composite Input Connector

Connector Type: 21WA4 Combo-D Male  
Rosen Connector Kit: 0300-034

Pin #	FUNCTION
1	Comp Out Select 1
2	Comp Out Select 2
3	Comp Out Select 3
4	Comp Out Select 4
5	Comp Out Select 5
6	Comp Out Select 6
7	Comp Out Select 7
8	Comp Out Select 8
9	Reserved
10	Comp Out Select Return 1
11	Comp Out Select Return 2
12	Comp Out Select Return 3
13	Comp Out Select Return 4
14	Comp Out Select Return 5
15	Comp Out Select Return 6
16	Comp Out Select Return 7
17	Comp Out Select Return 8
A1 CENTER	Comp IN A
A1 SHIELD	Comp IN Return A
A2 CENTER	Comp IN B
A2 SHIELD	Comp IN Return B
A3 CENTER	Comp IN C
A3 SHIELD	Comp IN Return C
A4 CENTER	Comp IN D
A4 SHIELD	Comp IN Return D

## P1 - RGB Input

Connector Type: 13W6 Combo-D Male  
Rosen Connector Kit: 0300-703

Pin #	FUNCTION
1	Hsync IN A
2	Vsync IN A
3	Hsync IN B
4	Vsync IN B
5	Sync IN Return A
6	Reserved
7	Sync IN Return B
A1 CENTER	Red IN A
A1 SHIELD	Red IN Return A
A2 CENTER	Green IN A
A2 SHIELD	Green IN Return A
A3 CENTER	Blue IN A
A3 SHIELD	Blue IN Return A
A4 CENTER	Red IN B
A4 SHIELD	Red IN Return B
A5 CENTER	Green IN B
A5 SHIELD	Green IN Return B
A6 CENTER	Blue IN B
A6 SHIELD	Blue IN Return B

## P3 - RGB Output Connector

Connector Type: 13W6 Combo-D Female  
Rosen Connector Kit: 0300-701

Pin #	FUNCTION
1	Hsync OUT 2
2	Vsync OUT 2
3	Hsync OUT 3
4	Vsync OUT 3
5	Sync OUT Return 2
6	Reserved
7	Sync OUT Return 3
A1 CENTER	Red OUT 2
A1 SHIELD	Red OUT Return 2
A2 CENTER	Green OUT 2
A2 SHIELD	Green OUT Return 2
A3 CENTER	Blue OUT 2
A3 SHIELD	Blue OUT Return 2
A4 CENTER	Red OUT 3
A4 SHIELD	Red OUT Return 3
A5 CENTER	Green OUT 3
A5 SHIELD	Green OUT Return 3
A6 CENTER	Blue OUT 3
A6 SHIELD	Blue OUT Return 3

## P4 - Composite Output Connector

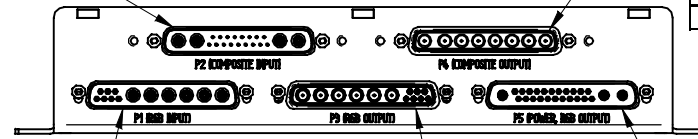
Connector Type: 8W8 Combo-D Female  
Rosen Connector Kit: 0300-702

Pin #	FUNCTION
A1 CENTER	Composite OUT 1
A1 SHIELD	Composite OUT Return 1
A2 CENTER	Composite OUT 2
A2 SHIELD	Composite OUT Return 2
A3 CENTER	Composite OUT 3
A3 SHIELD	Composite OUT Return 3
A4 CENTER	Composite OUT 4
A4 SHIELD	Composite OUT Return 4
A5 CENTER	Composite OUT 5
A5 SHIELD	Composite OUT Return 5
A6 CENTER	Composite OUT 6
A6 SHIELD	Composite OUT Return 6
A7 CENTER	Composite OUT 7
A7 SHIELD	Composite OUT Return 7
A8 CENTER	Composite OUT 8
A8 SHIELD	Composite OUT Return 8

## P5 - Power, RGB Output Connector

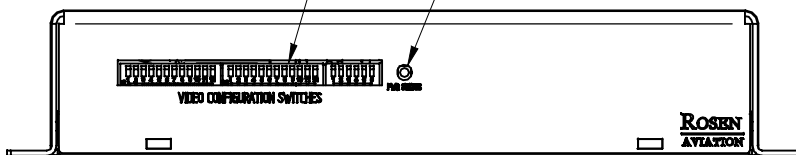
Connector Type: 25W3 Combo-D Male  
Rosen Connector Kit: 0300-036

Pin #	FUNCTION
1	28V Input
2	Briefing Active
3	RGB OUT Select 1
4	RGB OUT Select 2
5	RGB OUT Select 3
6	Reserved
7	Reserved
8	Reserved
9	Reserved
10	Hsync OUT 1
11	Vsync OUT 1
12	28V Return
13	Briefing Active Return
14	RGB OUT Select 1 Return
15	RGB OUT Select 2 Return
16	RGB OUT Select 3 Return
17	Reserved
18	Reserved
19	Reserved
20	Reserved
21	Sync OUT Return 1
22	Reserved
A1 CENTER	Red OUT 1
A1 SHIELD	Red OUT Return 1
A2 CENTER	Green OUT 1
A2 SHIELD	Green OUT Return 1
A3 CENTER	Blue OUT 1
A3 SHIELD	Blue OUT Return 1



SEE TECHNICAL MANUAL FOR DESCRIPTION OF DIP SWITCH FUNCTIONS

POWER LED



THE INFORMATION CONTAINED HEREIN IS PROPRIETARY TO ROSEN AVIATION, LLC. IT SHALL NOT BE REPRODUCED OR DISCLOSED IN WHOLE OR IN PART OR USED FOR ANY DESIGN OR MANUFACTURE EXCEPT WHEN SUCH USER POSSESSES DIRECT, WRITTEN AUTHORIZATION FROM ROSEN AVIATION, LLC. THIS DRAWING MAY BE COVERED UNDER ONE OR MORE U.S. OR INTERNATIONAL PATENTS. PLEASE CONTACT ROSEN AVIATION FOR SPECIFIC INFORMATION.

	1020 OWEN LOOP SOUTH EUGENE, OREGON 97402 TEL: (541) 342-3802 FAX: (541) 342-4912	SIZE DWG NO <b>A</b> 0700-006-CD	REV F
	SCALE NONE SHEET 2 OF 2	©2008 ROSEN AVIATION, LLC	