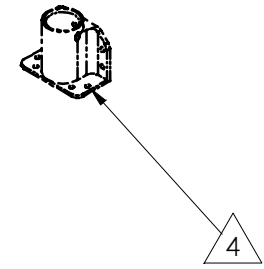
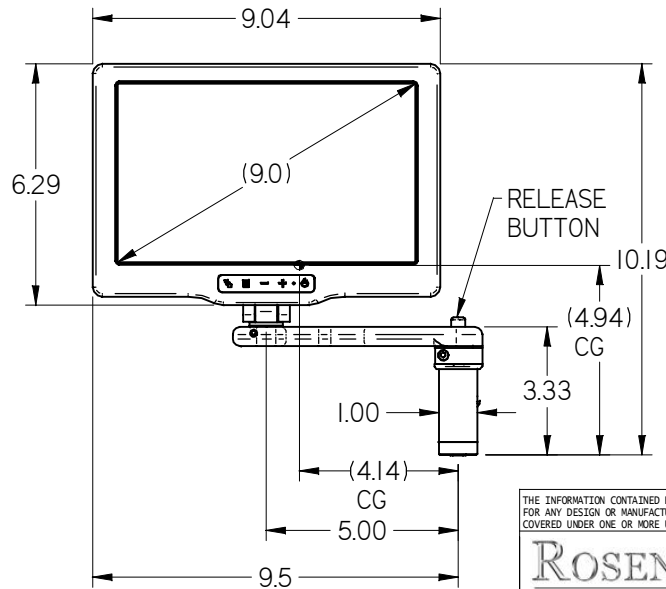
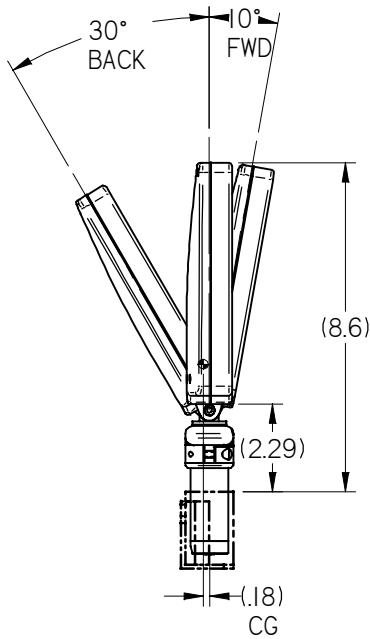
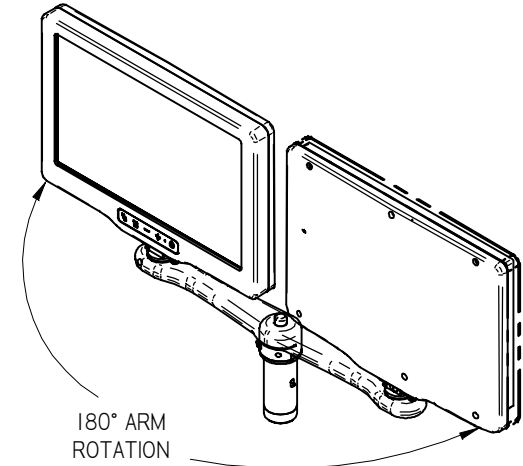
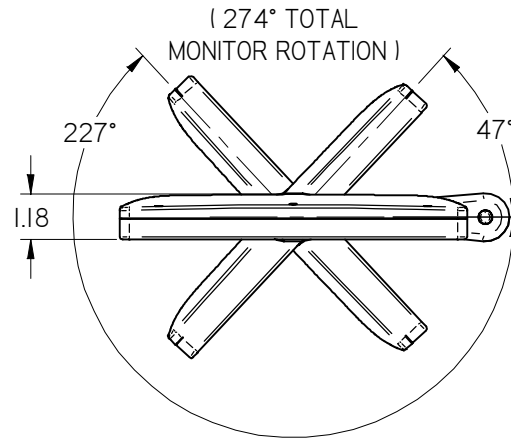


NOTES: (unless otherwise specified)

- 1. ALL MATERIALS AND INSTRUCTIONS LISTED ON BILL OF MATERIALS
  - 2. COMPONENT WEIGHT: 2.42 LBS ± 10%
  - 3. WIRE HARNESSSES, LABELS, SHIPPING PACKAGING AND SOME MINOR PARTS OMITTED FROM DRAWING VIEW FOR CLARITY
- ⚠ BASE SOLD SEPARATELY

REVISIONS						
ZONE	REV	DESCRIPTION	DATE	BY	CHG NO	APRV
pg2	2.0	CHG LCD PERFORMANCE SPEC TO HI-RES	03/19/12	GJH		JC
	A	RELEASE FOR PRODUCTION	08/08/12	GJH	12-0455	

# ELECTRONIC REVISION CONTROLLED



THE INFORMATION CONTAINED HEREIN IS PROPRIETARY TO ROSEN AVIATION, LLC. IT SHALL NOT BE REPRODUCED OR DISCLOSED IN WHOLE OR IN PART OR USED FOR ANY DESIGN OR MANUFACTURE EXCEPT WHEN SUCH USER POSSESSES DIRECT, WRITTEN AUTHORIZATION FROM ROSEN AVIATION. THIS DRAWING MAY BE COVERED UNDER ONE OR MORE U.S. OR INTERNATIONAL PATENTS, PLEASE CONTACT ROSEN AVIATION FOR SPECIFIC INFORMATION.

<b>Rosen AVIATION</b> 1020 OWEN LOOP SOUTH EUGENE, OREGON 97402 TEL: (541) 342-3802 FAX: (541) 342-4912	APPROVALS	INITIAL	DATE
	DRAWN BY	GJH	02/02/12
	CHECKER	BEF	08/01/12
	ENGINEER	GJH	08/06/12

UNLESS OTHERWISE SPECIFIED DIMENSIONS ARE IN INCHES
.X = ± .01
.XX = ± .03
R = ± 5.0°
RADII ± .020
INTERPRET DIM AND TOL PER ASME Y14.5M - 1994

TITLE	9000-010-CD		
OUTLINE & INSTALLATION DRAWING, 9", SXP ARM			
FIRST CALLED FOR: (FCF)			
9000-	SIZE	REV	
	A	A	
	SCALE	NTS	SHEET 1 OF 2

REFER TO [www.rosenaviation.com](http://www.rosenaviation.com) FOR THE LATEST REVISION INFORMATION.

**PERFORMANCE SPECIFICATIONS** (Reference)

LCD Performance	
Screen Resolution (pixels)	1280 x 768
Video Standards Supported	COMPOSITE: NTSC, PAL, SECAM
Display Viewing Area (mm)	196.8 X 118
Horizontal Viewing Angle	-85° to 85°
Vertical Viewing Angle	-85° to 85°
Contrast Ratio (Typical)	650:1
Screen Brightness (Typical)	400 cd/m <sup>2</sup>

Power Requirements	
Nominal Voltage/Current	28VDC / 0.53 A
Inrush Current	5.2 A for 1.0 ms
Op Voltage/Current Range	18 VDC/0.88 A - 32VDC/0.45 A
Maximum Current Draw	.88 A
Power Consumption	16 W Max

Environmental Specifications	
Operating Temperature	0°C - 50°C
Altitude	15,000ft
Humidity	95%RH
Vibration	1.48 grms
Power Input	DO-160F Cat Z(A)
Radio Frequency Susceptibility	DO-160F Cat T
Emission of RF Energy	DO-160F Cat M

**9 Pin Pinout**

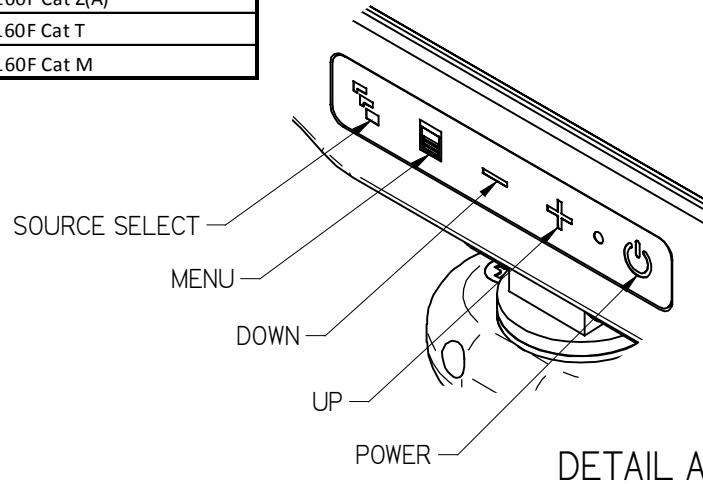
SlimLine Base Receptacle Model# 0100-002 & 0100-004
Connector: 9 Pin Male D-Sub Positronic SD9M0000Z
Mate: 9 Pin Female D-Subminiature Positronic SD9F0000X

Pin #	Monitor signal
1	Chassis Ground
2	+28V DC
3	DC Return
4	Select Sw itch
5	Select Sw itch Return
6	Reserved
7	Video Signal Input
8	Video Return
9	Reserved

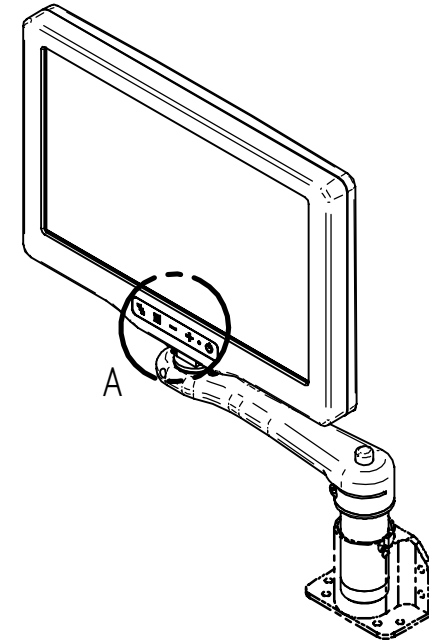
**BNC/Molex Pinout**

Slimline Base Receptacle Model 0100-005
Video Connector: BNC Jack (AMP 221199-5)
Power Connector: Male 3 pin, .062" Molex
Mating Video Connector: BNC Plug
Mating Power Connector: Molex 03-06-1038
Mating Power Contact: Molex 02-06-1103

Pin #	Monitor signal
BNC signal	Video Signal
BNC shield	Video Return
Molex 1	+28V DC
Molex 2	DC Return
Molex 3	Reserved



DETAIL A



THE INFORMATION CONTAINED HEREIN IS PROPRIETARY TO ROSEN AVIATION, LLC. IT SHALL NOT BE REPRODUCED OR DISCLOSED IN WHOLE OR IN PART OR USED FOR ANY DESIGN OR MANUFACTURE EXCEPT WHEN SUCH USER POSSESSES DIRECT, WRITTEN AUTHORIZATION FROM ROSEN AVIATION, LLC. THIS DRAWING MAY BE COVERED UNDER ONE OR MORE U.S. OR INTERNATIONAL PATENTS, PLEASE CONTACT ROSEN AVIATION FOR SPECIFIC INFORMATION.

<b>ROSEN AVIATION</b>	1020 OWEN LOOP SOUTH EUGENE, OREGON 97402 TEL: (541) 342-3802 FAX: (541) 342-4912	SIZE A	DWG NO 9000-010-CD	REV A
	SCALE NONE	SHEET 2 OF 2		