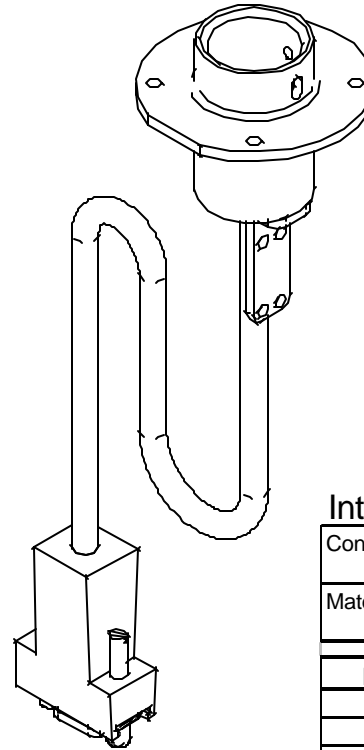
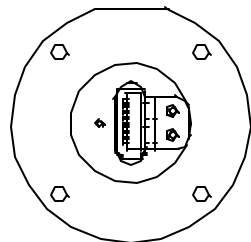
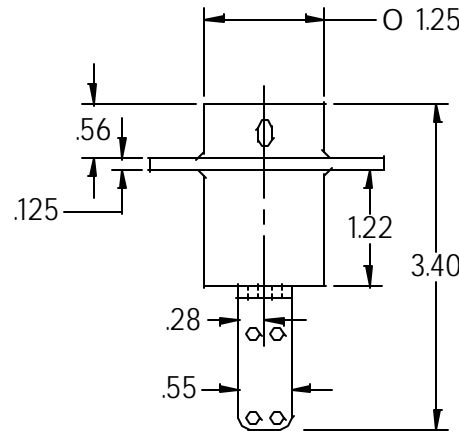
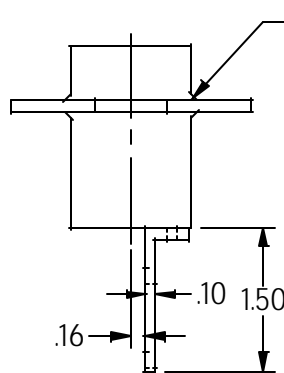
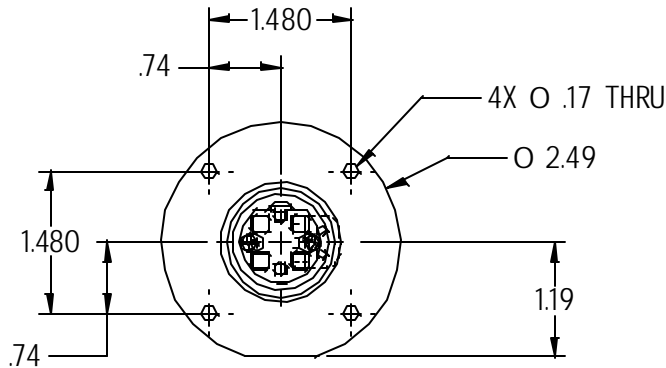


NOTES: (unless otherwise specified)

1. MATERIALS AND INSTRUCTIONS LISTED ON SEPARATE BILL OF MATERIALS.
2. ASSEMBLY WEIGHT: .24 LBS. $\pm 5\%$
3. HARNESS LENGTH: 22" ± 2 " (NOT SHOWN)
4. BASE SOLD SEPARATELY.
5. DO NOT PLUG OR UNPLUG MONITOR WHEN POWER IS APPLIED.
6. SELECT SWITCH APPLICABLE ONLY WHEN AVAILABLE ON MONITOR
7. MATING CONNECTOR KIT 0300-022 INCLUDED

2

REVISIONS						
ZONE	REV	DESCRIPTION	DATE	BY	CO NO	APRV
-	A	RELEASE FOR PRODUCTION	03/06/03	BKP	03031	-
-	B	ADD 0300-022 TO BOM	07/14/04	GJH	04190	DK
-	C	ADDED LONGER CABLE TIE BRACKET	12/21/04	GJH	04362	JW



Interface Cable Pinout

Connector: 9 Pin Male D-Subminiature
Positronic SDM0000Z

Mate: 9 Pin Female D-Subminiature
Positronic SD9F0000X

Pin #	Monitor signal
1	Chassis Ground
2	DC Input
3	DC Return
4	Select Switch
5	Select Switch Return
6	Reserved
7	Video Signal Input
8	Video Ground
9	Reserved

FOR REFERENCE ONLY

THE INFORMATION CONTAINED HEREIN IS PROPRIETARY TO ROSEN AVIATION DISPLAYS. IT SHALL NOT BE REPRODUCED OR DISCLOSED IN WHOLE OR IN PART OR USED FOR ANY DESIGN OR MANUFACTURE EXCEPT WHEN SUCH USER POSSESSES DIRECT, WRITTEN AUTHORIZATION FROM ROSEN AVIATION DISPLAYS. THIS DRAWING MAY BE COVERED UNDER ONE OR MORE U.S. OR INTERNATIONAL PATENTS. PLEASE CONTACT ROSEN AVIATION DISPLAYS FOR SPECIFIC INFORMATION.



ROSEN AVIATION DISPLAYS, LLC

1020 OWEN LOOP SOUTH EUGENE, OREGON 97402
TEL: (541) 342-3802 FAX: (541) 342-4912

UNLESS OTHERWISE SPECIFIED DIMENSIONS ARE IN INCHES	APPROVALS	INITIAL	DATE	TITLE
.XX = $\pm .03$.XXX = $\pm .010$	DRAWN BY	BKP	12/12/02	SLIMLINE 3 BASE RECEPTACLE ASSEMBLY, POGO, ROUND
$\angle = \pm 2.0^\circ$	CHECKER	JAW	03/31/03	
INT'PREP DIM AND TOL PER ASME Y14.5M - 1994	ENGINEER	BKP	04/03/03	
	PRODUCTION	AKB	04/07/03	
	QUALITY	PSO	04/01/03	
	SCALE	1:2		DWG NO 0100-043
				REV C
				SHEET 1 OF 1

1

2