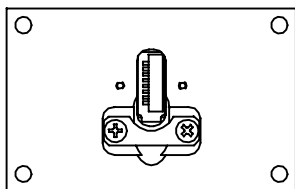
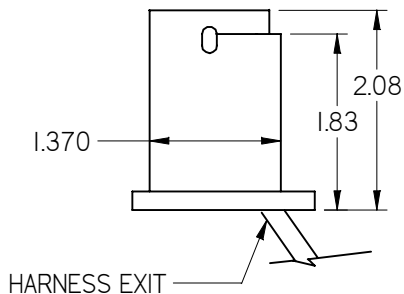
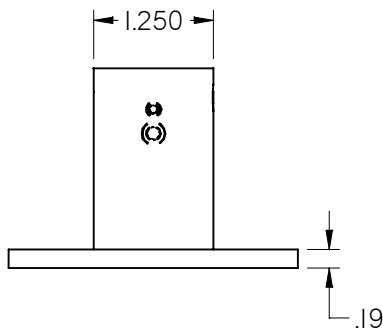
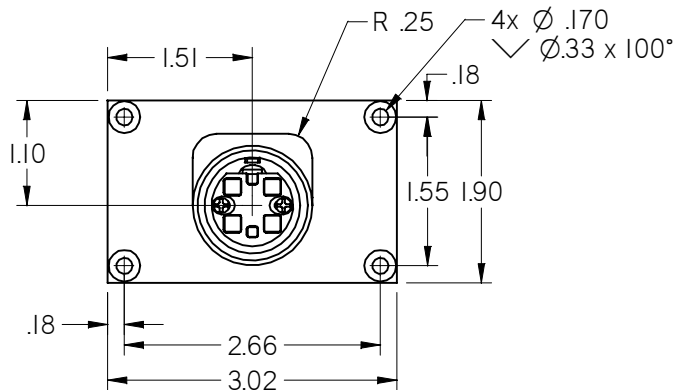


NOTES: (unless otherwise specified)

1. ASSEMBLY WEIGHT: .33 LBS. ± 10%
2. HARNESS LENGTH: 20" ±2"
3. HARNESS OMITTED FROM SOME VIEWS FOR CLARITY
4. CONNECTOR: 9 PIN MALE D-SUB
MATE: 9 PIN FEMALE D-SUB
5. MATING CONNECTOR KIT (0300-022) INCLUDED
REFER TO OUTLINE & INSTALLATION DRAWING OF MONITOR ASSEMBLY FOR SPECIFIC PINOUT INFORMATION



ELECTRONIC REVISION CONTROLLED

REFER TO www.rosenaviation.com FOR THE LATEST REVISION INFORMATION.

UNLESS OTHERWISE SPECIFIED DIMENSIONS ARE IN INCHES
 .XX = ± .020
 .XXX = ± .005
 ↗ = ± 1.0°
 INTERPRET DIM AND TOL PER ASME Y14.5M - 1994

THE INFORMATION CONTAINED HEREIN IS PROPRIETARY TO ROSEN AVIATION, LLC. IT SHALL NOT BE REPRODUCED OR DISCLOSED IN WHOLE OR IN PART OR USED FOR ANY DESIGN OR MANUFACTURE EXCEPT WHEN SUCH USER POSSESSES DIRECT, WRITTEN AUTHORIZATION FROM ROSEN AVIATION. THIS DRAWING MAY BE COVERED UNDER ONE OR MORE U.S. OR INTERNATIONAL PATENTS. PLEASE CONTACT ROSEN AVIATION FOR SPECIFIC INFORMATION.

Rosen AVIATION		1020 OWEN LOOP SOUTH EUGENE, OREGON 97402 TEL: (541) 342-3802 FAX: (541) 342-4912	
APPROVALS	INITIAL	DATE	
DRAWN BY	GJH	03/23/09	
CHECKER	SC	05/18/09	
ENGINEER	DRF	05/19/09	
DWG NO		0100-044-CD	
SIZE	A	REV	A
SCALE	1:2	SHEET	1 OF 1

TITLE
**OUTLINE & INSTALLATION DRAWING,
 BASE RECEPTACLE, SLIMLINE, LOGO
 DB9 HARNESS, RWAP FOOTPRINT, KEYED**
 FIRST CALLED FOR: (FCF)
SLIMLINE BASE

REVISIONS					
ZONE	REV	DESCRIPTION	DATE	BY	CHG NO
	A	INITIAL DRAWING RELEASE	05/19/09	GJH	ECO9098

