

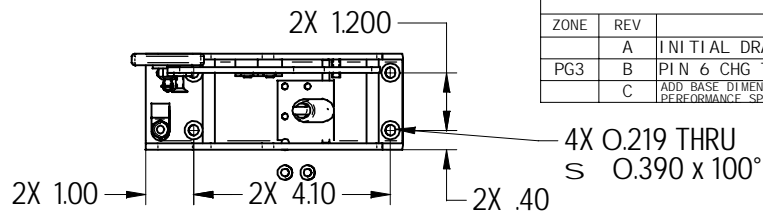
NOTES: (unless otherwise specified)

1. ASSEMBLY WEIGHT: 4.2 LBS. ±10%
2. SOME MINOR PARTS, LABELS, HARNESSES AND INSTRUCTIONS OMITTED FOR CLARITY

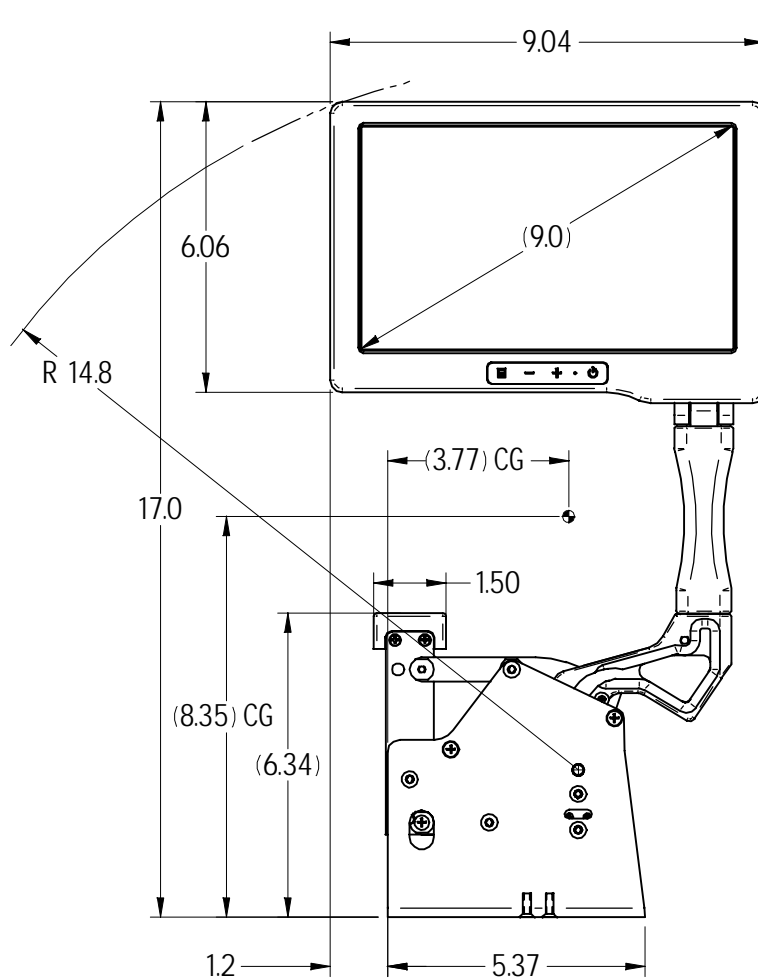
Electronic Revision Controlled

2

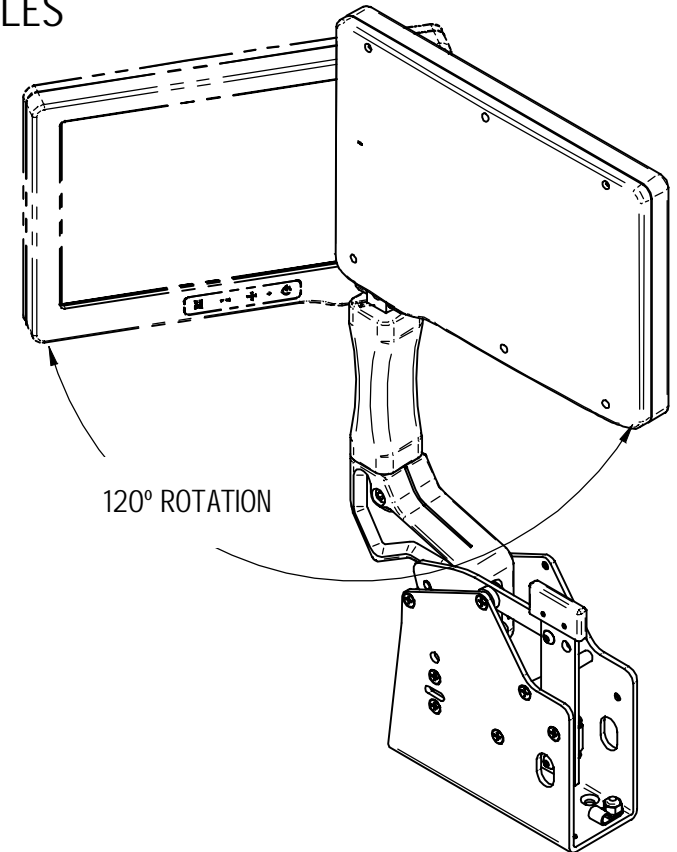
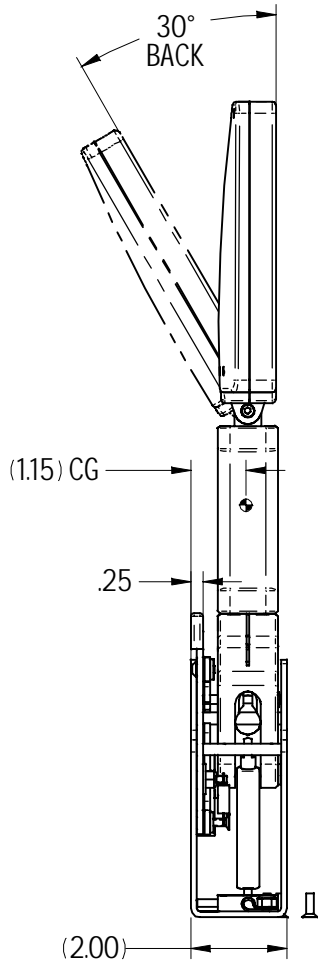
REVISIONS						
ZONE	REV	DESCRIPTION	DATE	BY	CHG NO	APRV
	A	INITIAL DRAWING RELEASE	10/27/11	DE	EC11643	
PG3	B	PIN 6 CHG TO RX, PIN 7 CHG TO TX	11/16/11	DE	EC11714	DRF
	C	ADD BASE DIMENSION, REMOVE COMPOSITE FROM PERFORMANCE SPEC	09/12/17	MCS	17-0548	SC



MONITOR HIDDEN TO SHOW MOUNTING HOLES



MONITOR DEPLOYED



THE INFORMATION CONTAINED HEREIN IS PROPRIETARY TO ROSEN AVIATION, LLC. IT SHALL NOT BE REPRODUCED OR DISCLOSED IN WHOLE OR IN PART OR USED FOR ANY DESIGN OR MANUFACTURE EXCEPT WHEN SUCH USER POSSESSES DIRECT, WRITTEN AUTHORIZATION FROM ROSEN AVIATION. THIS DRAWING MAY BE COVERED UNDER ONE OR MORE U.S. OR INTERNATIONAL PATENTS. PLEASE CONTACT ROSEN AVIATION FOR SPECIFIC INFORMATION.

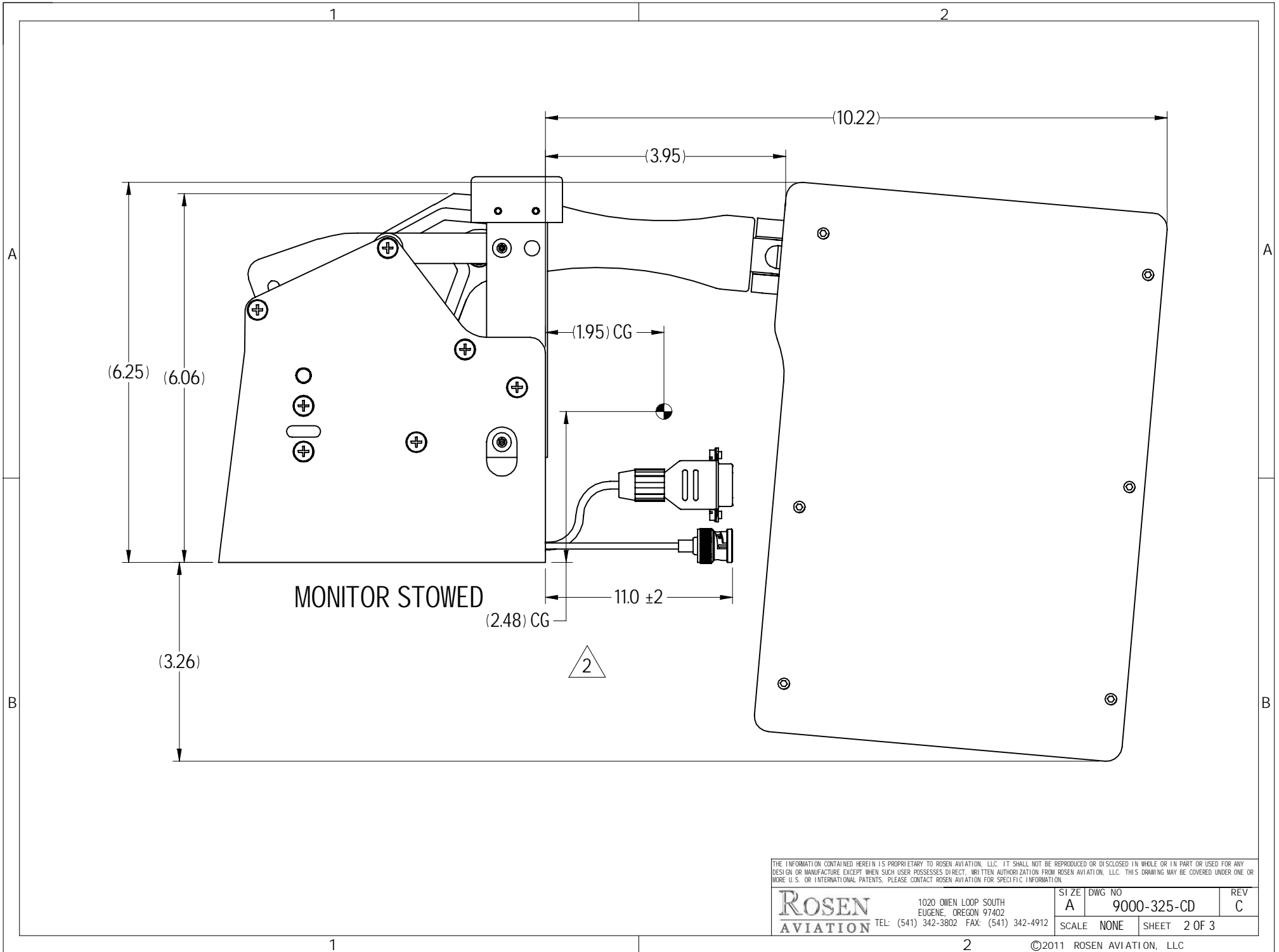
ROSEN AVIATION 1020 OWEN LOOP SOUTH EUGENE, OREGON 97402 TEL: (541) 342-3802 FAX: (541) 342-4912	APPROVALS	INITIAL	DATE	
	DRAWN BY	JDC	10/10/11	
	CHECKER	DE	10/24/11	
	ENGINEER	JC	10/27/11	
TITLE OUTLINE & INSTALLATION DRAWING, 9" WS MONITOR, RIGHT, GOOSENECK, RS232			DWG NO 9000-325-CD	
FIRST CALLED FOR: (FCF)			SIZE A	REV C
SCALE N.T.S.		SHEET	1 OF 3	

UNLESS OTHERWISE SPECIFIED DIMENSIONS ARE IN INCHES

.X = ± .1
 .XX = ± .03
 .XXX = ± .010
 ∠ = ± 5.0°

RADI I = ± .020
 INTERPRET DIM AND TOL PER ASME Y14.5M - 1994

2



MONITOR STOWED

THE INFORMATION CONTAINED HEREIN IS PROPRIETARY TO ROSEN AVIATION, LLC. IT SHALL NOT BE REPRODUCED OR DISCLOSED IN WHOLE OR IN PART OR USED FOR ANY DESIGN OR MANUFACTURE EXCEPT WHEN SUCH USER POSSESSES DIRECT WRITTEN AUTHORIZATION FROM ROSEN AVIATION, LLC. THIS DRAWING MAY BE COVERED UNDER ONE OR MORE U.S. OR INTERNATIONAL PATENTS. PLEASE CONTACT ROSEN AVIATION FOR SPECIFIC INFORMATION.

ROSEN AVIATION 1020 OWEN LOOP SOUTH EUGENE, OREGON 97402 TEL: (541) 342-3802 FAX: (541) 342-4912		SIZE	DWG NO	REV
		A	9000-325-CD	C
SCALE		NONE	SHEET	2 OF 3

PERFORMANCE SPECIFICATIONS (Reference)

LCD Performance	
Screen Resolution (pixels)	1280 x 768
Video Standards Supported	SDI: 480i30, 576i25, 720p50/60, 1080i25/30, 1080p50/60
Display Viewing Area (mm)	196.8 X 118
Horizontal Viewing Angle	-85° to 85°
Vertical Viewing Angle	-85° to 85°
Contrast Ratio (Typical)	600:1
Screen Brightness (Typical)	400 cd/m ²

Power Requirements	
Nominal Voltage/Current	28VDC / 0.53 A
Inrush Current	1.8 A for 18 ms
Op Voltage/Current Range	18 VDC/0.88 A - 32VDC/0.45 A (1080p60)
Maximum Current Draw	.88 A
Power Consumption	17 W Max

Environmental Specifications	
Operating Temperature	0°C - 50°C
Altitude	15,000ft
Humidity	95%RH
Vibration	1.48 grms
Power Input	DO-160F Cat A/B
Radio Frequency Susceptibility	DO-160F Cat T
Emission of RF Energy	DO-160F Cat M

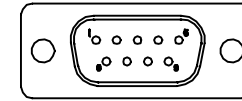
MAIN HARNESS PINOUT

Connector: 9-Pin Male Dsub
Mating Connector: 9-Pin Female D-Sub (0300-022, Not Included)

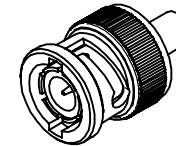
D-sub Pin #	Monitor signal
1	Chassis Ground
2	+28V DC
3	DC Return
6	RS232 RX
7	RS232 TX
8	RS232 GND

Connector: BNC Plug, 75 Ohm, 4 GHz Min
Mate: BNC Jack, 75 Ohm, 4 GHz Min (0300-054; Not Included)

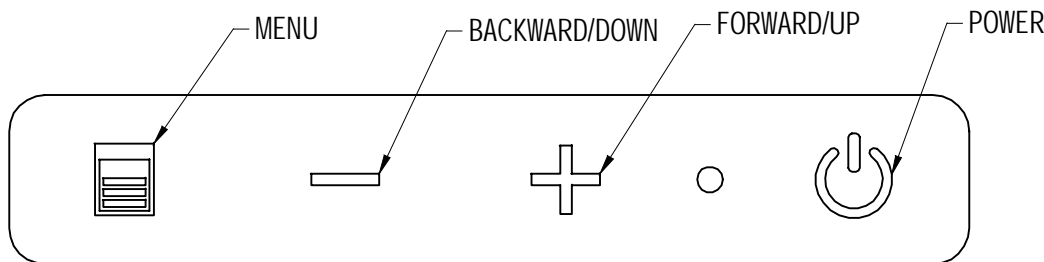
BNC Signal	SDI Video
BNC Signal	SDI Video
BNC Shield	SDI Video Return



9-Pin Male D-Sub



BNC Plug (SDI)



MONITOR TOUCH CONTROLS

THE INFORMATION CONTAINED HEREIN IS PROPRIETARY TO ROSEN AVIATION, LLC. IT SHALL NOT BE REPRODUCED OR DISCLOSED IN WHOLE OR IN PART OR USED FOR ANY DESIGN OR MANUFACTURE EXCEPT WHEN SUCH USER POSSESSES DIRECT, WRITTEN AUTHORIZATION FROM ROSEN AVIATION, LLC. THIS DRAWING MAY BE COVERED UNDER ONE OR MORE U.S. OR INTERNATIONAL PATENTS. PLEASE CONTACT ROSEN AVIATION FOR SPECIFIC INFORMATION.

ROSEN AVIATION	1020 OWEN LOOP SOUTH EUGENE, OREGON 97402 TEL: (541) 342-3802 FAX: (541) 342-4912	SIZE A	DWG NO 9000-325-CD	REV C
	SCALE NONE	SHEET 3 OF 3		