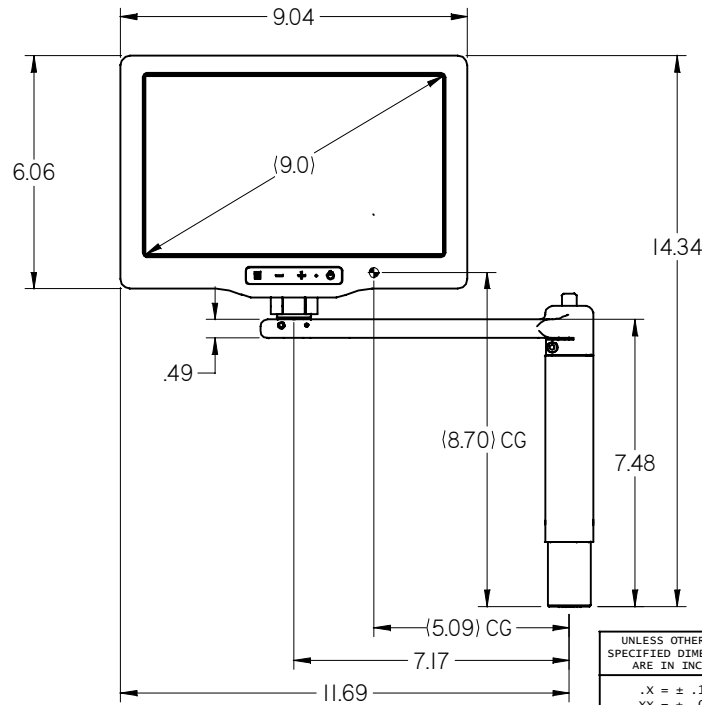
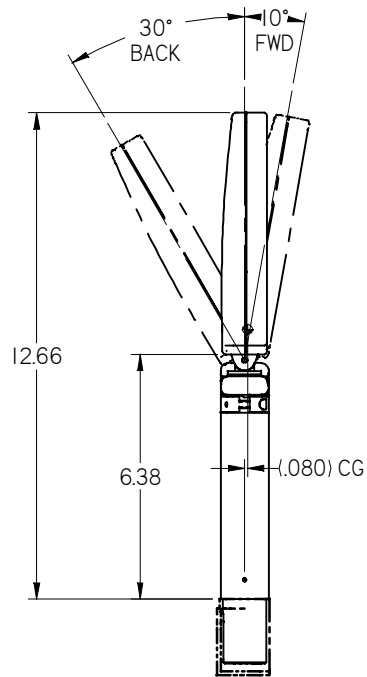
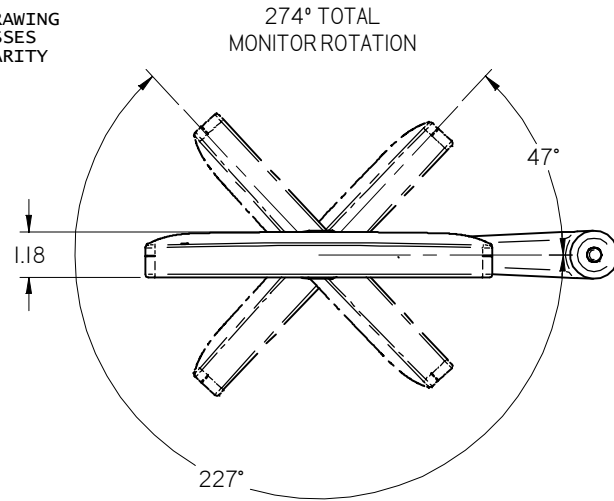


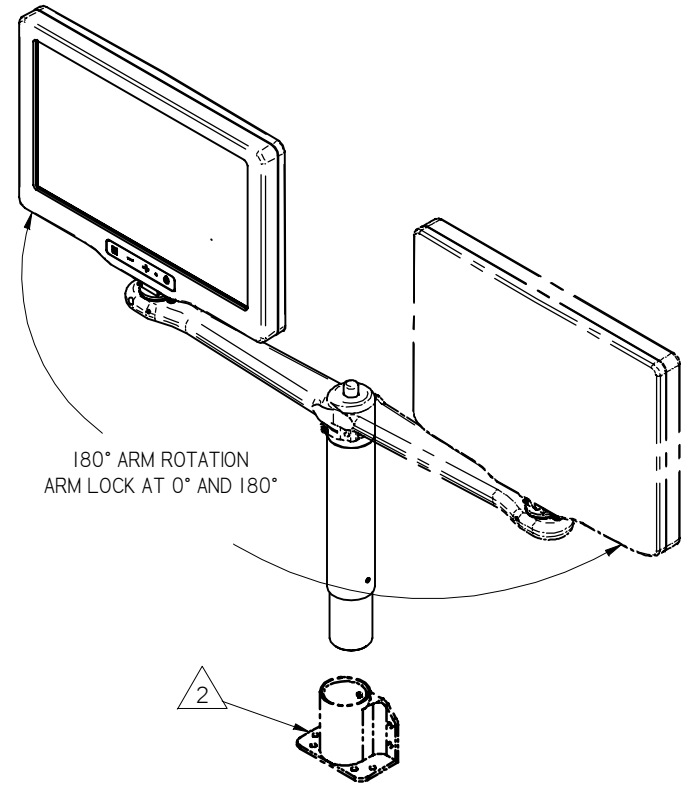
NOTES: (unless otherwise specified)

1. ASSEMBLY WEIGHT: 2.9 ± 10% LB
2. BASE SOLD SEPARATELY
3. HARNESS LENGTH: REFER TO BASE DRAWING
4. SOME MINOR PARTS, LABELS, HARNESSES AND INSTRUCTIONS OMITTED FOR CLARITY



REVISIONS						
ZONE	REV	DESCRIPTION	DATE	BY	CHG NO	APRV
	A	INITIAL DRAWING RELEASE	09/19/12	GJH	12-0256	

ELECTRONIC REVISION CONTROLLED



THE INFORMATION CONTAINED HEREIN IS PROPRIETARY TO ROSEN AVIATION, LLC. IT SHALL NOT BE REPRODUCED OR DISCLOSED IN WHOLE OR IN PART OR USED FOR ANY DESIGN OR MANUFACTURE EXCEPT WHEN SUCH USER POSSESSES DIRECT, WRITTEN AUTHORIZATION FROM ROSEN AVIATION. THIS DRAWING MAY BE COVERED UNDER ONE OR MORE U.S. OR INTERNATIONAL PATENTS, PLEASE CONTACT ROSEN AVIATION FOR SPECIFIC INFORMATION.

ROSEN AVIATION 1020 OWEN LOOP SOUTH
EUGENE, OREGON 97402
TEL: (541) 342-3802 FAX: (541) 342-4912

TITLE
**OUTLINE & INSTALLATION DRAWING,
9" MONITOR, CENTER, RS232/SDI**

FIRST CALLED FOR: (FCF)

APPROVALS	INITIAL	DATE
DRAWN BY	GJH	08/15/12
CHECKER	SC	09/19/12
ENGINEER	GJH	09/19/12

DWG NO
9000-337-CD

SIZE	REV
A	A

SCALE NTS SHEET 1 OF 2

UNLESS OTHERWISE SPECIFIED DIMENSIONS ARE IN INCHES

.X = ± .1
.XX = ± .03

RADII = ± 5.0°

INTERPRET DIM AND TOL PER ASME Y14.5M - 1994

REFER TO www.rosenaviation.com FOR THE LATEST REVISION INFORMATION.

PERFORMANCE SPECIFICATIONS (Reference)

LCD Performance

Screen Resolution (pixels)	1280 x 768
Video Standards Supported	SDI: 480i30, 576i25, 720p50/60, 1080i25/30, 1080p50/60
Display Viewing Area (mm)	196.8 X 118
Horizontal Viewing Angle	-85° to 85°
Vertical Viewing Angle	-85° to 85°
Contrast Ratio (Typical)	600:1
Screen Brightness (Typical)	400 cd/m ²

Power Requirements

Nominal Voltage/Current	28VDC / 0.53 A
Inrush Current	1.8 A for 18 ms
Op Voltage/Current Range	18 VDC/0.88 A - 32VDC/0.45 A (1080p60)
Maximum Current Draw	.88 A
Power Consumption	16 W Max

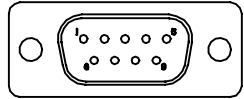
Environmental Specifications

Operating Temperature	0°C - 50°C
Altitude	15,000ft
Humidity	95%RH
Vibration	1.48 grms
Power Input	DO-160F Cat Z(A)
Radio Frequency Susceptibility	DO-160F Cat T
Emission of RF Energy	DO-160F Cat M

BASE RECEPTACLE: 0100-342

Connector: 9-Pin Male Dsub
Mating Connector: 9-Pin Female D-Sub
(0300-022, Not Included)

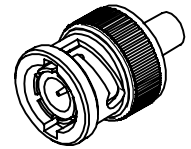
D-sub Pin #	Monitor signal
1	Chassis Ground
2	+28V DC
3	DC Return
6	RS-232 RX
7	RS-232 TX
8	RS-232 GND



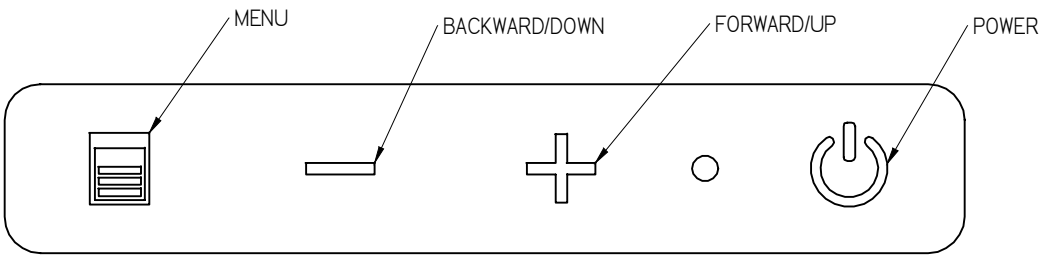
9-Pin Male D-Sub

Connector: BNC Plug, 75 Ohm, 4 GHz Min
Mate: BNC Jack, 75 Ohm, 4 GHz Min
(0300-054; Not Included)

BNC Signal	SDI Video
BNC Shield	SDI Video Return



BNC Plug (SDI)



MONITOR TOUCH CONTROLS

THE INFORMATION CONTAINED HEREIN IS PROPRIETARY TO ROSEN AVIATION, LLC. IT SHALL NOT BE REPRODUCED OR DISCLOSED IN WHOLE OR IN PART OR USED FOR ANY DESIGN OR MANUFACTURE EXCEPT WHEN SUCH USER POSSESSES DIRECT, WRITTEN AUTHORIZATION FROM ROSEN AVIATION, LLC. THIS DRAWING MAY BE COVERED UNDER ONE OR MORE U.S. OR INTERNATIONAL PATENTS. PLEASE CONTACT ROSEN AVIATION FOR SPECIFIC INFORMATION.

ROSEN AVIATION	1020 OWEN LOOP SOUTH EUGENE, OREGON 97402 TEL: (541) 342-3802 FAX: (541) 342-4912	SIZE A	DWG NO 9000-337-CD	REV A
	SCALE NONE	SHEET 2 OF 2		