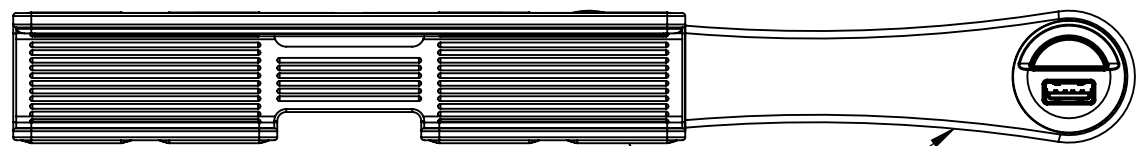


NOTES: (UNLESS OTHERWISE SPECIFIED)

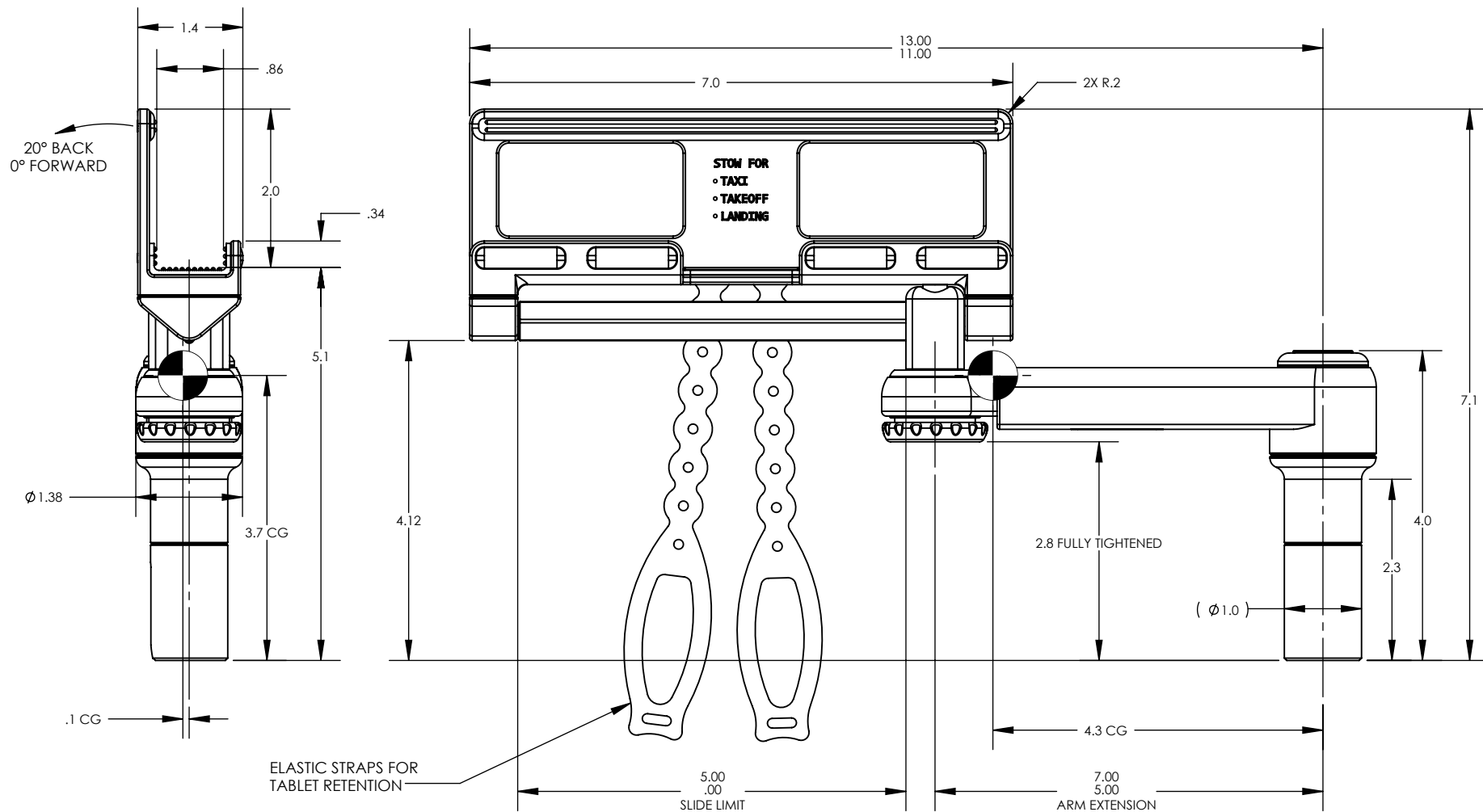
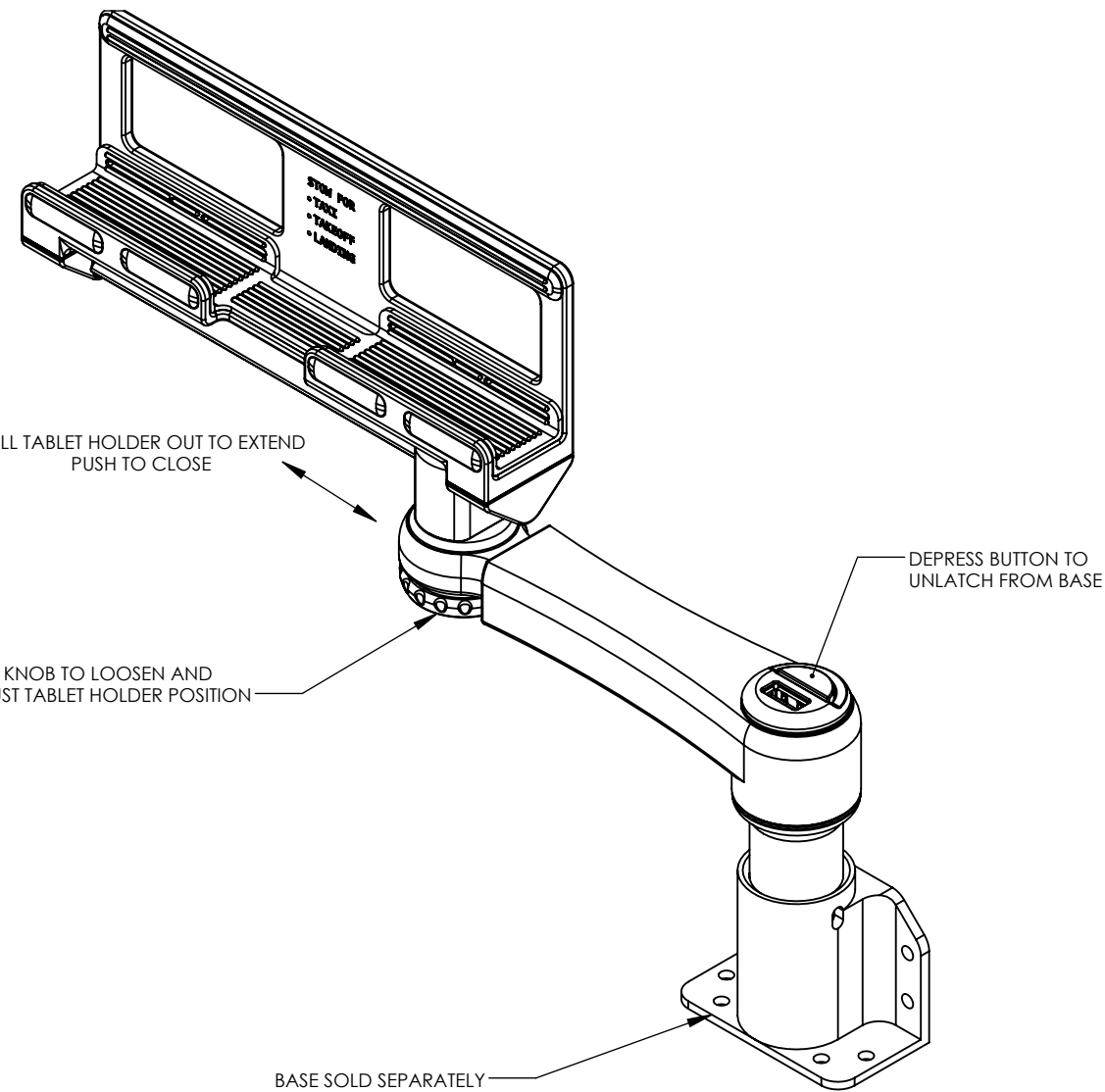
- ASSEMBLY WEIGHT: 1.24 LBS MAX
- SOME MINOR PARTS, LABELS AND INSTRUCTIONS OMITTED FOR CLARITY

REVISIONS						
ZONE	REV	DESCRIPTION	DATE	BY	EC NO	APRV
	1.0	INITIAL RELEASE	01/26/18	SC	NEC18-0061	MCS
	2.0	DETAIL ARM EXTENSION, DELETE QCP NOTE	06/01/18	SC	NEC18-0376	BEF
	A	OVERALL HEIGHT WAS 6.9 NOW 7.1, FILLED IN PG2 SPECS	08/02/18	SC	18-0510	



TABLET HOLDER AND ARM BOTH ROTATE 360°

Electronic Revision Controlled



THE INFORMATION CONTAINED HEREIN IS PROPRIETARY TO ROSEN AVIATION, LLC. IT SHALL NOT BE REPRODUCED OR DISCLOSED IN WHOLE OR IN PART OR USED FOR ANY DESIGN OR MANUFACTURE EXCEPT WHEN SUCH USER POSSESSES DIRECT, WRITTEN AUTHORIZATION FROM ROSEN AVIATION, LLC. THIS DRAWING MAY BE COVERED UNDER ONE OR MORE U.S. OR INTERNATIONAL PATENTS, PLEASE CONTACT ROSEN AVIATION FOR SPECIFIC INFORMATION.

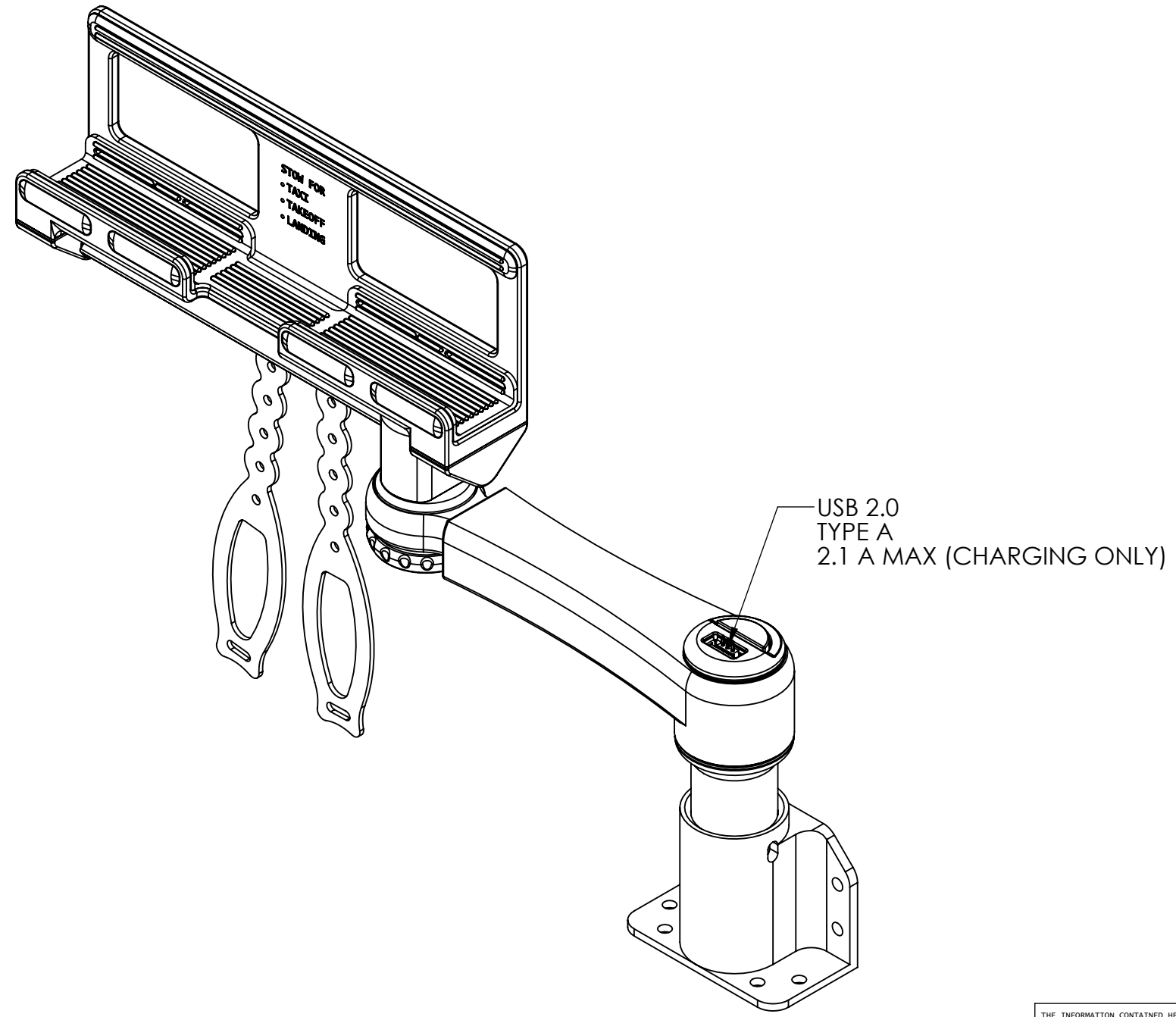
ROSEN AVIATION 1020 OWEN LOOP SOUTH EUGENE, OREGON 97402 TEL: (541) 342-3802 FAX: (541) 342-4912	APPROVALS	INITIAL	DATE
	DRAWN BY	SC	01/17/18
	CHECKER	MCS	07/31/18
TITLE	ENGINEER	SC	07/31/18
OUTLINE AND INSTALLATION DRAWING, TABLET HOLDER, -060, MICRO-D			
ACC100-060-CD			
FIRST CALLED FOR: (FCF)	SIZE	REV	
375-Tablet Arm	B	A	
SCALE: 1:2	SHEET 1 OF 2		

UNLESS OTHERWISE SPECIFIED DIMENSIONS ARE IN INCHES
 .X = ± .1
 .XX = ± .03
 .XXX = ± .015
 ∠ = ± 5.0°
 RADII ± .020
 INTERPRET DIM AND TOL PER ASME Y14.5M - 1994

Power Requirements	
Operational Voltage Range	10 - 32.2 V
Max Current at Nominal Voltage*	0.4 A @ 28V DC
Inrush Peak	6.1 A
Inrush Duration	1 ms

*Current draw will increase as voltage decreases (constant power)

Compatible Base Receptacles			
9-pin Dsub		3-Pin Molex	
Slimline Base Receptacle Model 0100-002 & 0100-004		Slimline Base Receptacle Model 0100-005	
Connector: 9 Pin Male D-Subminiature Positronic SD9M0000Z		Video Connector: BNC Jack, AMP 5221199-5 Power Connector: Male 3 pin, .062" Molex	
Mate: 9 Pin Female D-Subminiature Positronic SD9F0000X		Mating Video Connector: BNC Plug Mating Power Connector: Molex 03-06-1038 Mating Power Contact: Molex 02-06-1103	
Pin #	Description	Pin #	Description
1	Chassis Ground	Molex 1	+28V DC
2	+28V DC	Molex 2	DC Return
3	DC Return	Molex 3	Reserved



THE INFORMATION CONTAINED HEREIN IS PROPRIETARY TO ROSEN AVIATION, LLC. IT SHALL NOT BE REPRODUCED OR DISCLOSED IN WHOLE OR IN PART OR USED FOR ANY DESIGN OR MANUFACTURE EXCEPT WHEN SUCH USER POSSESSES DIRECT, WRITTEN AUTHORIZATION FROM ROSEN AVIATION, LLC. THIS DRAWING MAY BE COVERED UNDER ONE OR MORE U.S. OR INTERNATIONAL PATENTS, PLEASE CONTACT ROSEN AVIATION FOR SPECIFIC INFORMATION.



1020 OWEN LOOP SOUTH
EUGENE, OREGON 97402
TEL: (541) 342-3802 FAX: (541) 342-4912

SIZE B	ACC100-060-CD	REV A.
SCALE: 1:4	SHEET 2 OF 2	