

1

2

3

4

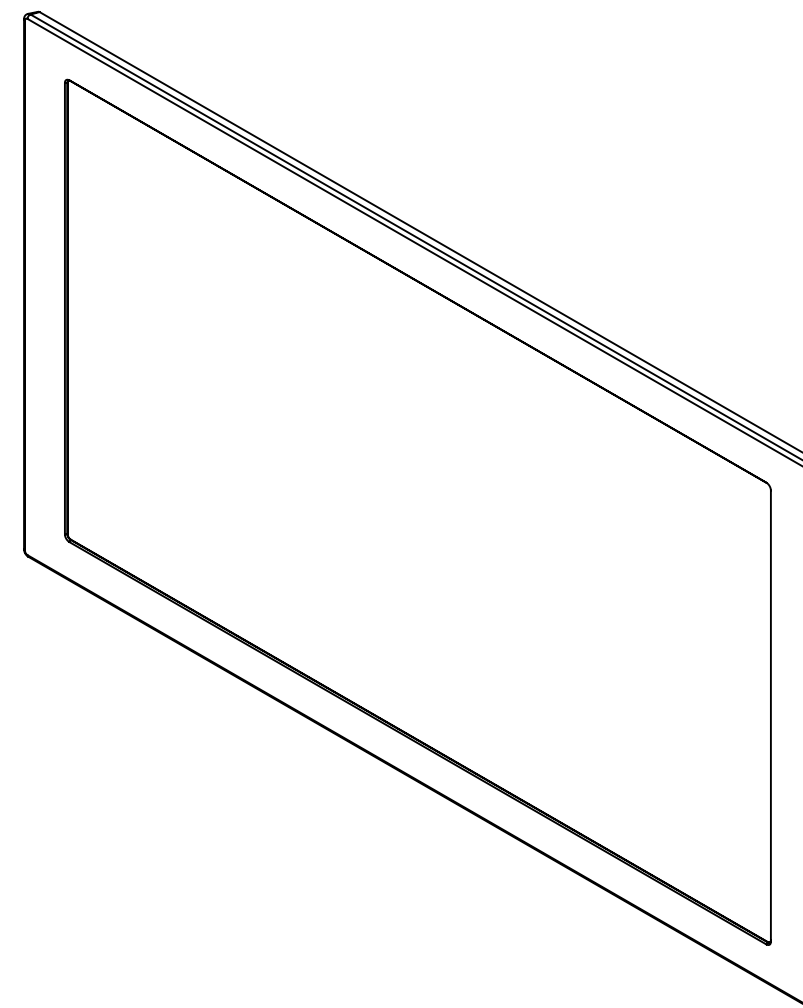
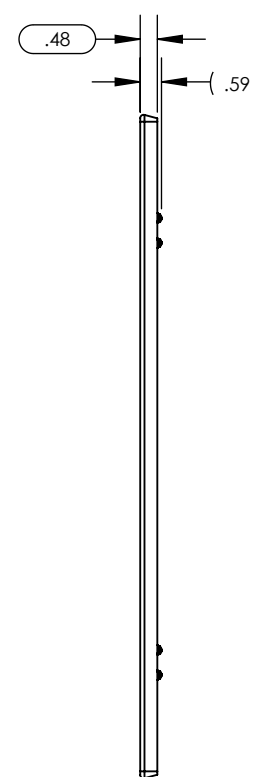
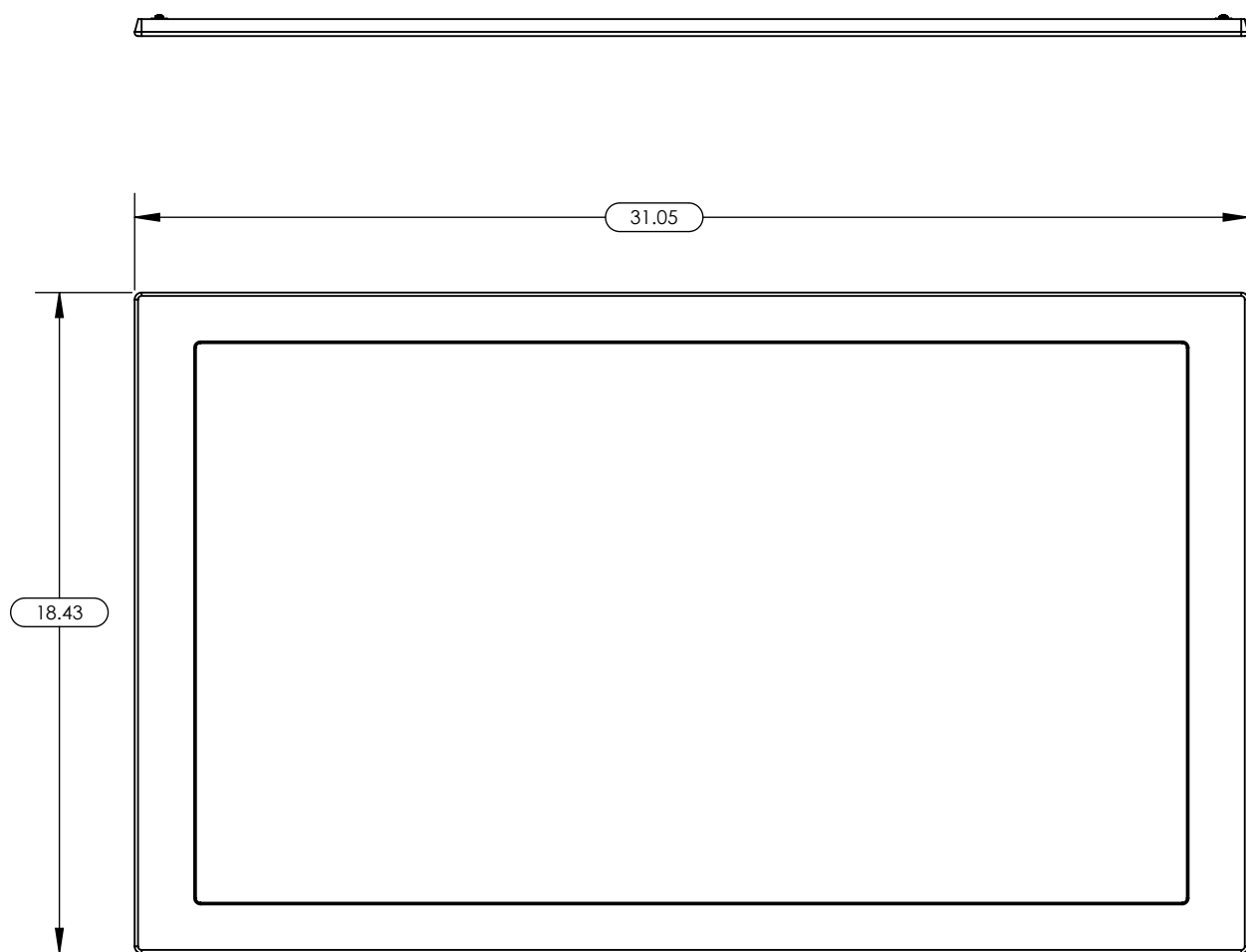
- NOTES: (UNLESS OTHERWISE SPECIFIED)
1. BEZEL WEIGHT: 2.2 LBS MAX
 2. SOME MINOR PARTS, LABELS, HARNESSES AND INSTRUCTIONS OMITTED FOR CLARITY
 3.  DENOTES ROSEN AVIATION FAI INSPECTION DIMENSION

REVISIONS						
ZONE	REV	DESCRIPTION	DATE	BY	EC NO.	APRV
	1.0	INITIAL DRAWING RELEASE	02/23/12	BEF		DE
	A	RELEASE TO ALPHA	03/08/12	DE	12-0133	

ELECTRONIC REVISION CONTROLLED

A

A



B

B

THE INFORMATION CONTAINED HEREIN IS PROPRIETARY TO ROSEN AVIATION, LLC. IT SHALL NOT BE REPRODUCED OR DISCLOSED IN WHOLE OR IN PART OR USED FOR ANY DESIGN OR MANUFACTURE EXCEPT WHEN SUCH USER POSSESSES DIRECT, WRITTEN AUTHORIZATION FROM ROSEN AVIATION, LLC. THIS DRAWING MAY BE COVERED UNDER ONE OR MORE U.S. OR INTERNATIONAL PATENTS, PLEASE CONTACT ROSEN AVIATION FOR SPECIFIC INFORMATION.

ROSEN AVIATION 1020 OWEN LOOP SOUTH EUGENE, OREGON 97402 TEL: (541) 342-3802 FAX: (541) 342-4912	APPROVALS	INITIAL	DATE
	DRAWN BY	BEF	02/23/12
	CHECKER	GJH	03/06/12
	ENGINEER	BEF	03/08/12
TITLE	OUTLINE AND INSTALLATION DRAWING, BEZEL 32" W/S 900 STYLING		
FIRST CALLED FOR: (FCF)	32in RDM - 248		
SIZE	B	REV	A,
SCALE: 3:16		SHEET 1 OF 3	

UNLESS OTHERWISE SPECIFIED DIMENSIONS ARE IN INCHES

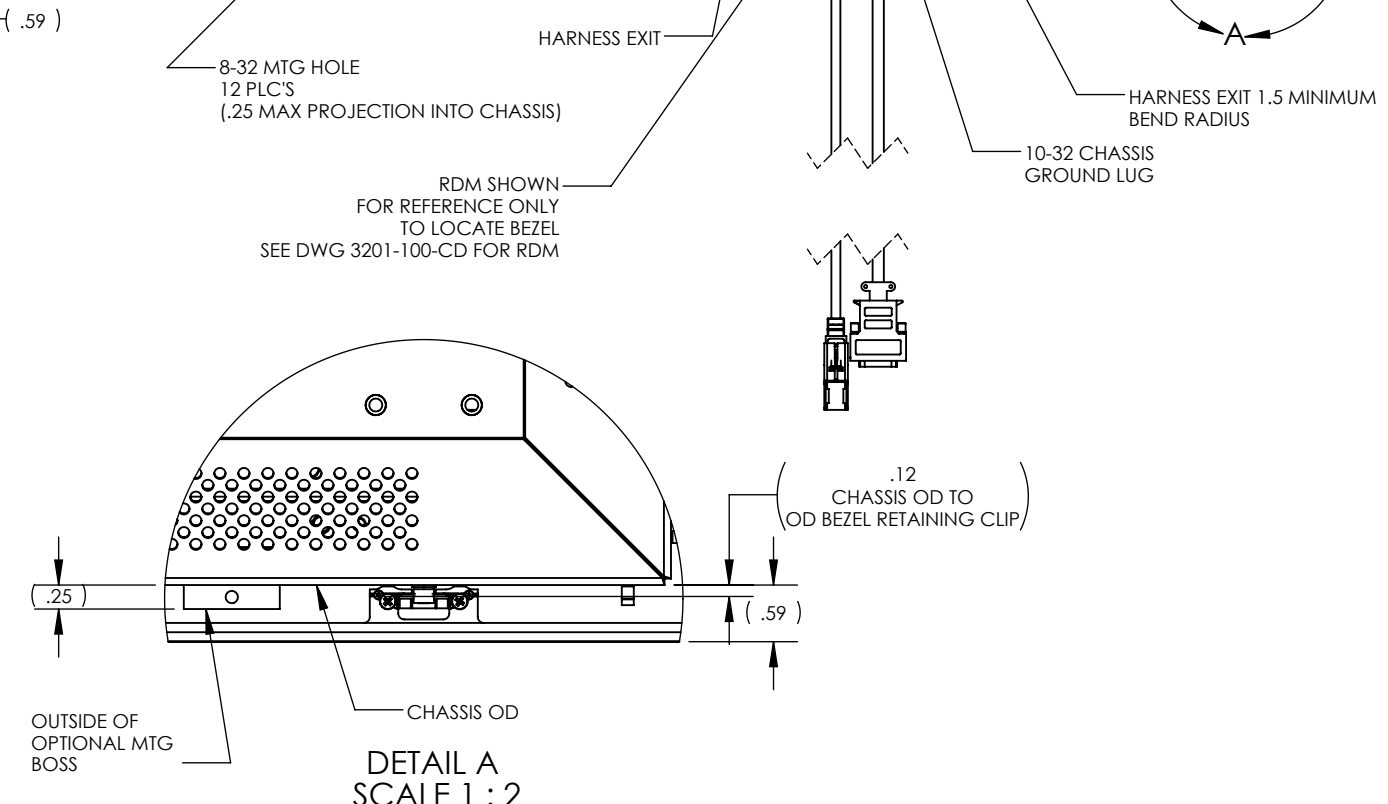
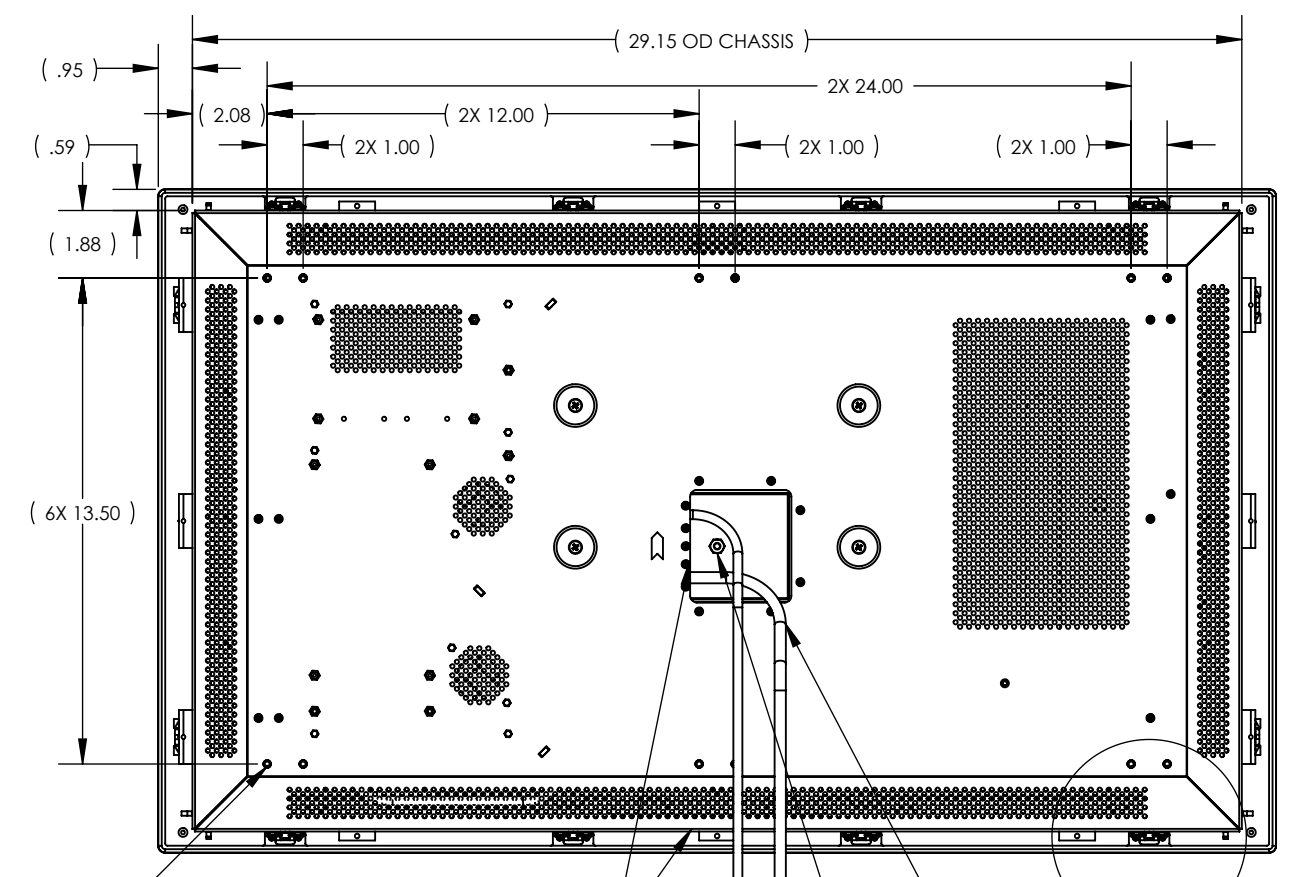
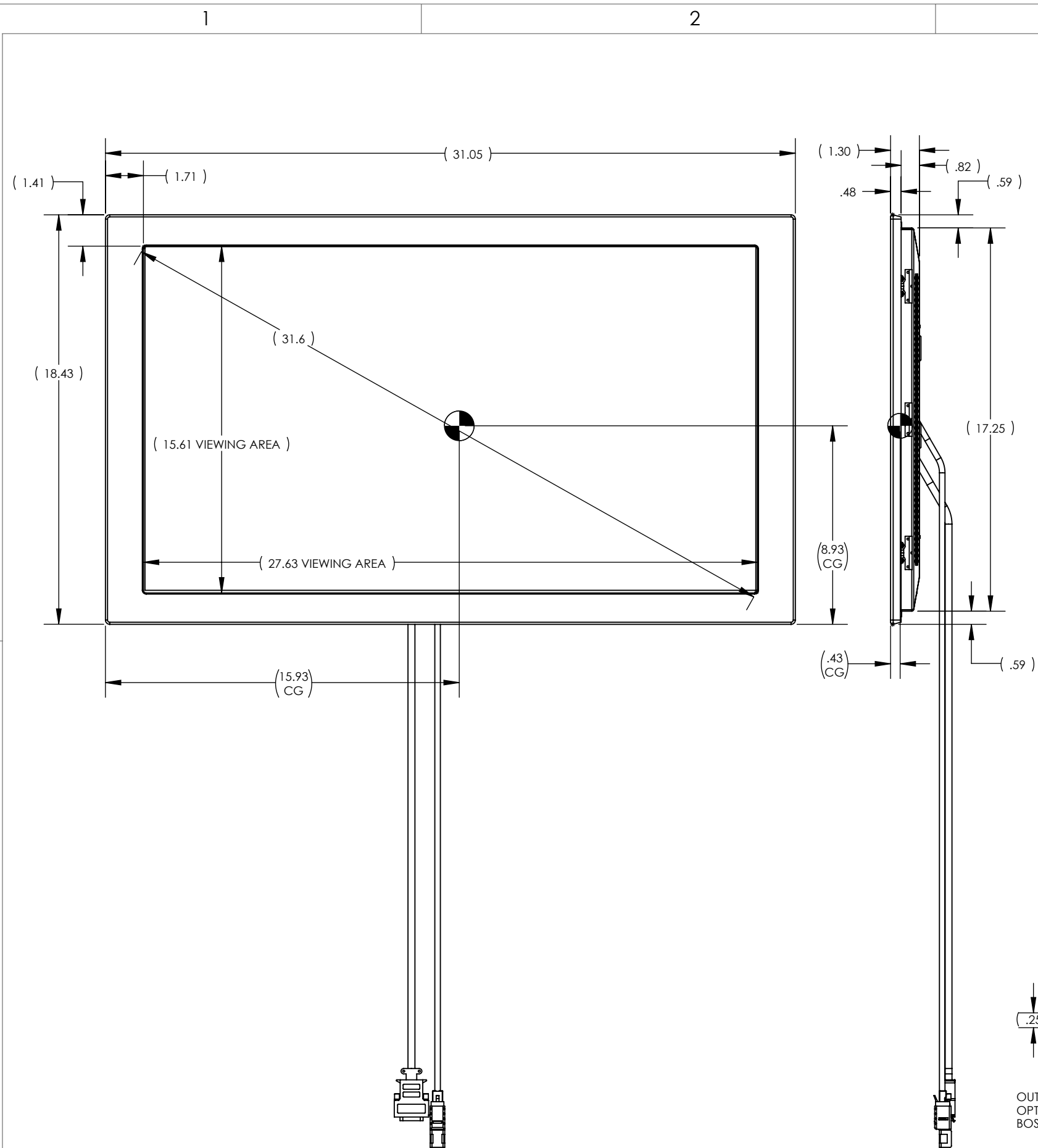
.X = ± .1
 .XX = ± .03
 ∠ = ± 5.0°
 RADII ± .020

INTERPRET DIM AND TOL PER ASME Y14.5M - 1994

1

2

3



1

2

3

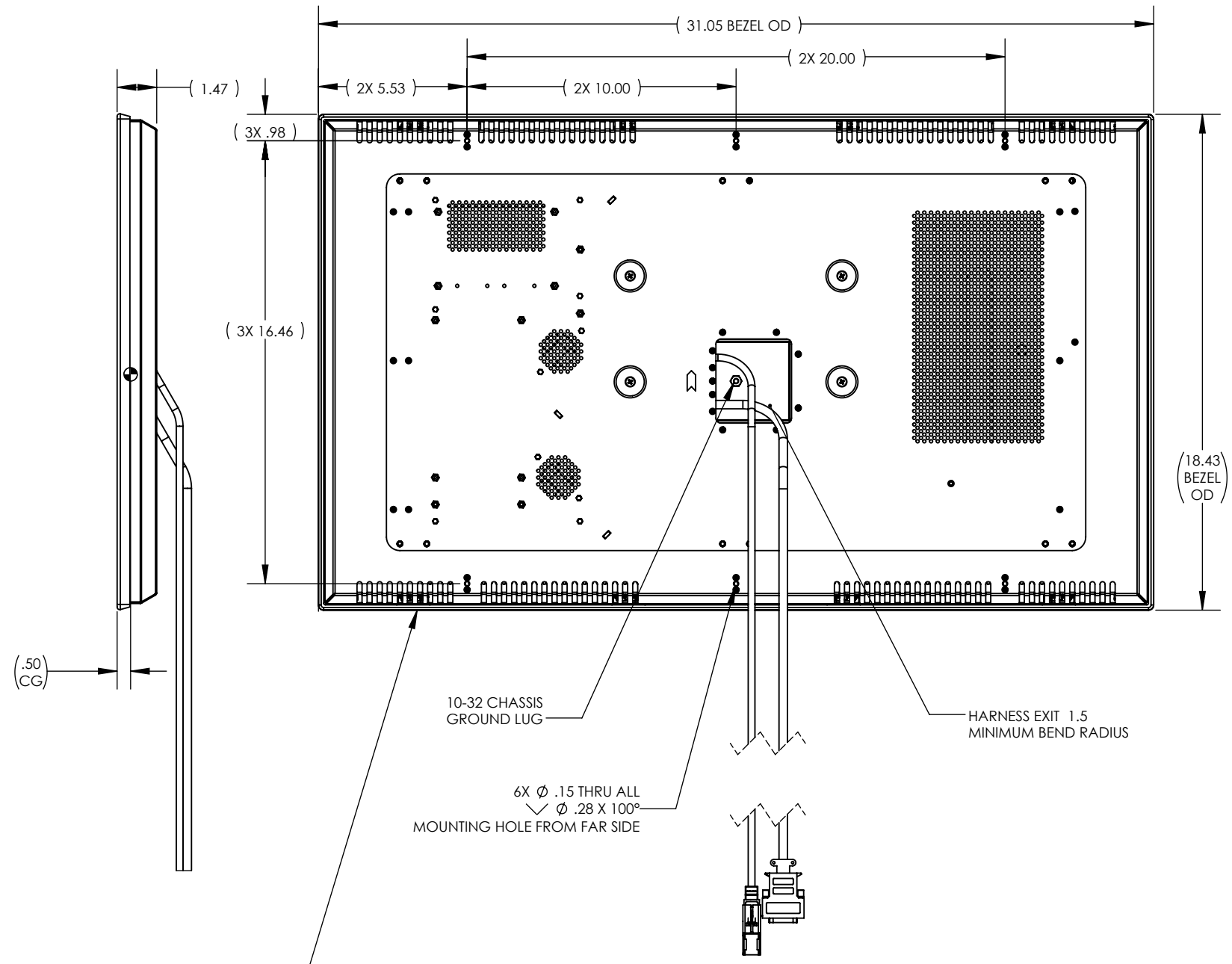
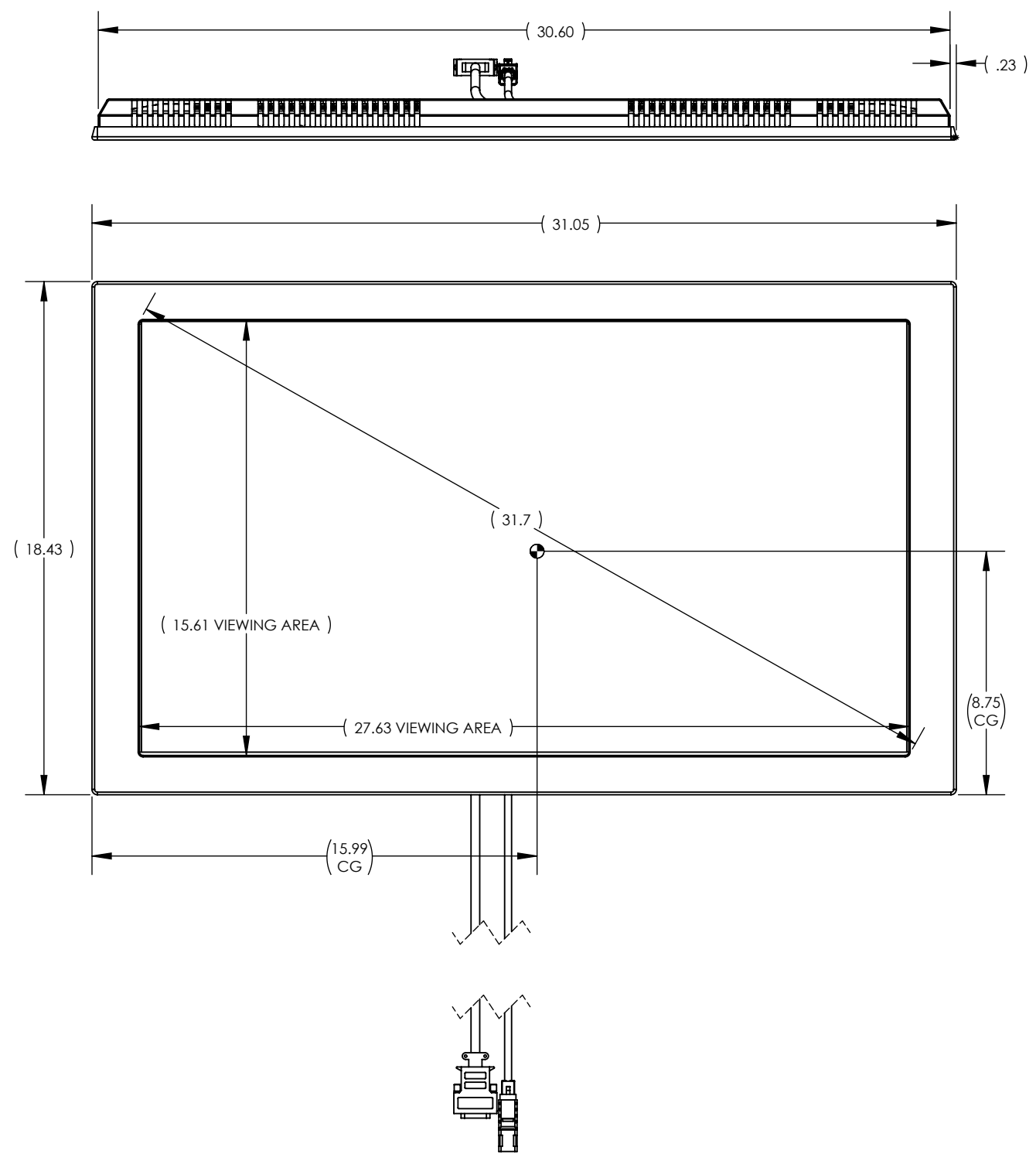
4

A

A

B

B



COSMETIC BACK AND RDM SHOWN FOR REFERENCE ONLY TO LOCATE BEZEL
 SEE DWG 3201-100-CD FOR RDM
 SEE DWG 3201-800-CD FOR COSMETIC BACK

THE INFORMATION CONTAINED HEREIN IS PROPRIETARY TO ROSEN AVIATION, LLC. IT SHALL NOT BE REPRODUCED OR DISCLOSED IN WHOLE OR IN PART OR USED FOR ANY DESIGN OR MANUFACTURE EXCEPT WHEN SUCH USER POSSESSES DIRECT, WRITTEN AUTHORIZATION FROM ROSEN AVIATION, LLC. THIS DRAWING MAY BE COVERED UNDER ONE OR MORE U.S. OR INTERNATIONAL PATENTS, PLEASE CONTACT ROSEN AVIATION FOR SPECIFIC INFORMATION.

ROSEN AVIATION

1020 OWEN LOOP SOUTH
 EUGENE, OREGON 97402
 TEL: (541) 342-3802 FAX: (541) 342-4912

SIZE	REV
B	A
SCALE: 3:16	SHEET 3 OF 3

4 © 2012 ROSEN AVIATION LLC

1

2

3