

NOTES: (unless otherwise specified)

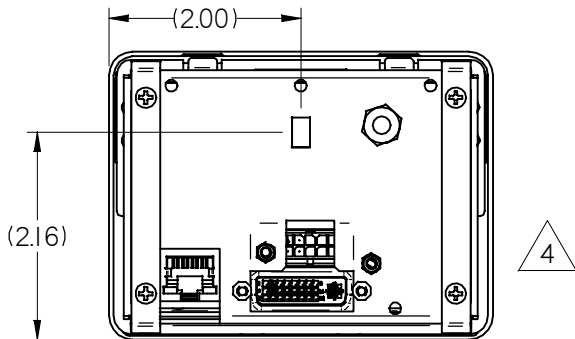
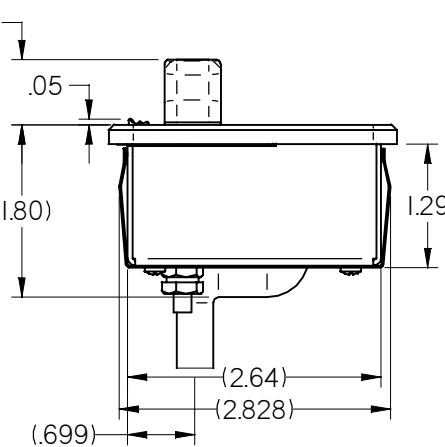
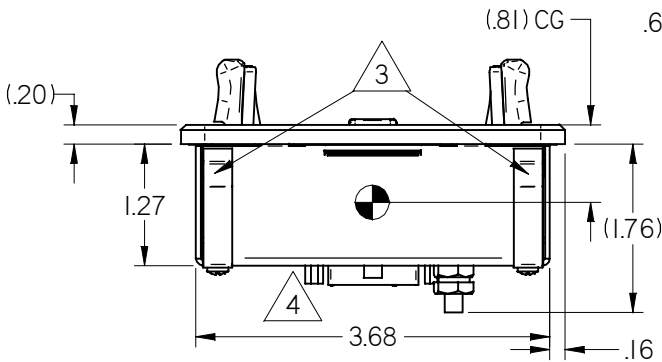
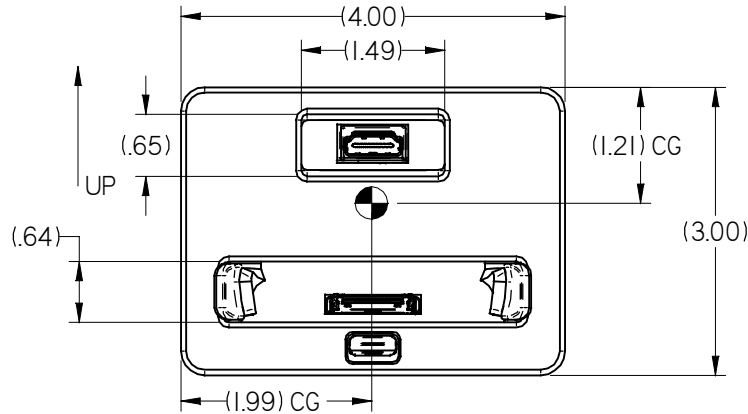
- 1. ASSEMBLY WEIGHT: .82 LBS. ±10%
- 2. DO NOT PLUG OR UNPLUG WHEN POWER IS APPLIED

3 SPRING CLIPS ARE FOR USE AS MOUNTING/LOCKING FEATURE

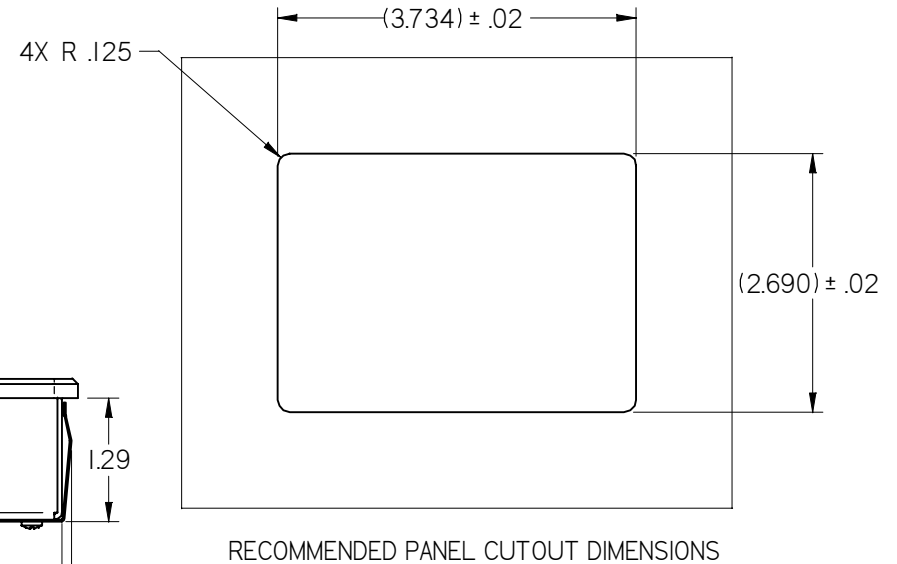
4 HARNESS NOT SHOWN FOR CLARITY

5. CONNECTOR KITS SOLD SEPARATELY

REVISIONS						
ZONE	REV	DESCRIPTION	DATE	BY	CHG NO	APRV
	A	INITIAL DRAWING RELEASE	10/26/11	GJH	EC11623	



ELECTRONIC REVISION CONTROLLED



THE INFORMATION CONTAINED HEREIN IS PROPRIETARY TO ROSEN AVIATION, LLC. IT SHALL NOT BE REPRODUCED OR DISCLOSED IN WHOLE OR IN PART OR USED FOR ANY DESIGN OR MANUFACTURE EXCEPT WHEN SUCH USER POSSESSES DIRECT, WRITTEN AUTHORIZATION FROM ROSEN AVIATION. THIS DRAWING MAY BE COVERED UNDER ONE OR MORE U.S. OR INTERNATIONAL PATENTS, PLEASE CONTACT ROSEN AVIATION FOR SPECIFIC INFORMATION.

Rosen AVIATION 1020 OWEN LOOP SOUTH EUGENE, OREGON 97402 TEL: (541) 342-3802 FAX: (541) 342-4912	APPROVALS	INITIAL	DATE
	DRAWN BY	GJH	10/05/11
	CHECKER	MCS	10/10/11
	ENGINEER	DRF	10/25/11

UNLESS OTHERWISE SPECIFIED DIMENSIONS ARE IN INCHES

.X = ± .1
.XX = ± .03

= ± 5.0"

RADII = ± .020

INTERPRET DIM AND TOL PER ASME Y14.5M - 1994

TITLE			DWG NO		
OUTLINE & INSTALLATION DRAWING			0700-205-CD		
MEDIA PORT w/HDMI					
FIRST CALLED FOR: (FCF)			SIZE	REV	
			A	A	
			SCALE 1:2	SHEET 1 of 2	

PERFORMANCE SPECIFICATIONS (REF)

Power Requirements	
Nominal Voltage/Current	28VDC/50mA
Inrush Current	2A @ 200 μ sec
Op Voltage Range	18-32VDC
Maximum Current Draw	0.50 A
Power Consumption	14 W Max

Environmental Specifications

Operating Temperature	-15°C - 55°C
Altitude	15,000ft
Humidity	95%RH
Vibration	1.48 grms
Power Input	DO-160F Cat B
Radio Frequency Susceptibility	DO-160F Cat T
Emission of RF Energy	DO-160F Cat M
Waterproofness	DO-160F Cat W

P1 - INPUT/OUTPUT CONNECTOR

Connector Type: 13W3 Female
 Rosen Connector Kit (Sold Separately): 0300-056
 Mating Connector: 13W3 Male Connector, Rosen Part Number 104771

Pin #	Function
1	28V Power
2	Audio Left
3	Audio Right
4	A/V Return
5	Charge Config
6	28V Return
7	GND
8	ETH Address Config 0
9	ETH Address Config 1
10	ETH Address Config 2
A1	Y
A2	Pb/Composite
A3	Pr

P2-DVI OUTPUT CONNECTOR

P1	FUNCTION	P2
C1	Analog Red	C1
C2	Analog Green	C2
C3	Analog Blue	C3
C4	Analog Horizontal Sync	C4
C5	Analog GND Return: (analog R, G, B)	C5

P2 - DVI OUTPUT CONNECTOR

Connector Type: DVI, Female
 Rosen Connector Kit (Sold Separately): 0300-029
 Mating Connector: DVI Male Connector, Rosen Part Number, 102104

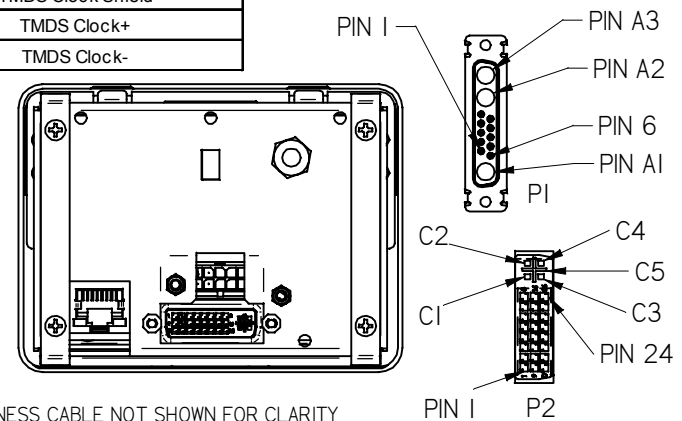
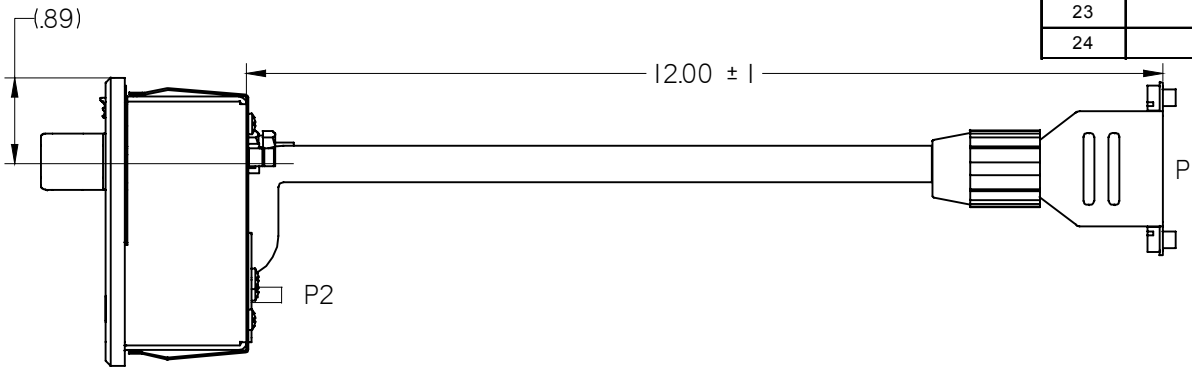
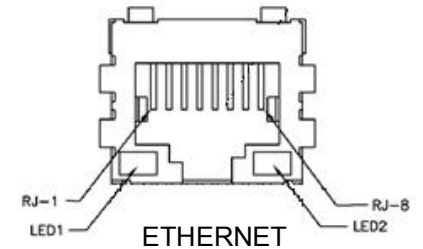
PIN #	FUNCTION
1	TMDS Data 2-
2	TMDS Data 2+
3	TMDS Data 2 Shield
4	TMDS Data 4-
5	TMDS Data 4+
6	DDC Clock
7	DDC Data
8	Analog Vertical Sync
9	TMDS Data 1-
10	TMDS Data 1+
11	TMDS Data 1Shield
12	TMDS Data 3-
13	TMDS Data 3+
14	+5 V Power
15	Ground
16	Hot Plug Detect
17	TMDS Data 0-
18	TMDS Data 0+
19	TMDS Data 0 Shield
20	TMDS Data 5-
21	TMDS Data 5+
22	TMDS Clock Shield
23	TMDS Clock+
24	TMDS Clock-

ETHERNET CONNECTOR

Rosen Conn Kit: (Sold Separately) 0300-050

Connector Type: 8p8c RJ45

Pin #	Function
1	TX+
2	TX-
3	RX+
4	NC
5	NC
6	RX-
7	NC
8	NC



HARNESS CABLE NOT SHOWN FOR CLARITY

THE INFORMATION CONTAINED HEREIN IS PROPRIETARY TO ROSEN AVIATION, LLC. IT SHALL NOT BE REPRODUCED OR DISCLOSED IN WHOLE OR IN PART OR USED FOR ANY DESIGN OR MANUFACTURE EXCEPT WHEN SUCH USER POSSESSES DIRECT, WRITTEN AUTHORIZATION FROM ROSEN AVIATION, LLC. THIS DRAWING MAY BE COVERED UNDER ONE OR MORE U.S. OR INTERNATIONAL PATENTS, PLEASE CONTACT ROSEN AVIATION FOR SPECIFIC INFORMATION.

ROSEN AVIATION	1020 OWEN LOOP SOUTH EUGENE, OREGON 97402 TEL: (541) 342-3802 FAX: (541) 342-4912	SIZE A	DWG NO 0700-205-CD	REV A
	SCALE NONE	SHEET 2 of 2		