

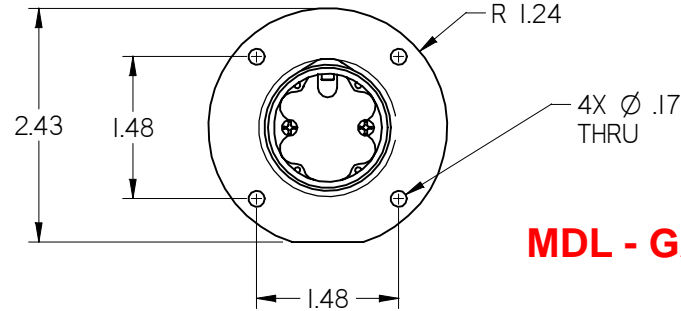
1

2

NOTES: (unless otherwise specified)

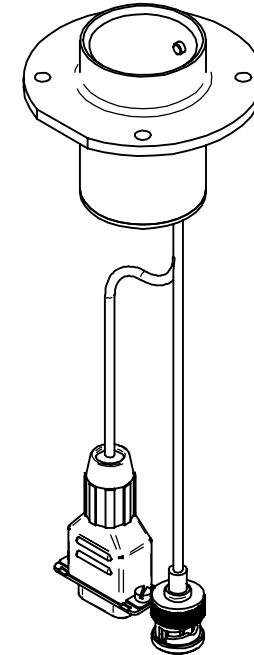
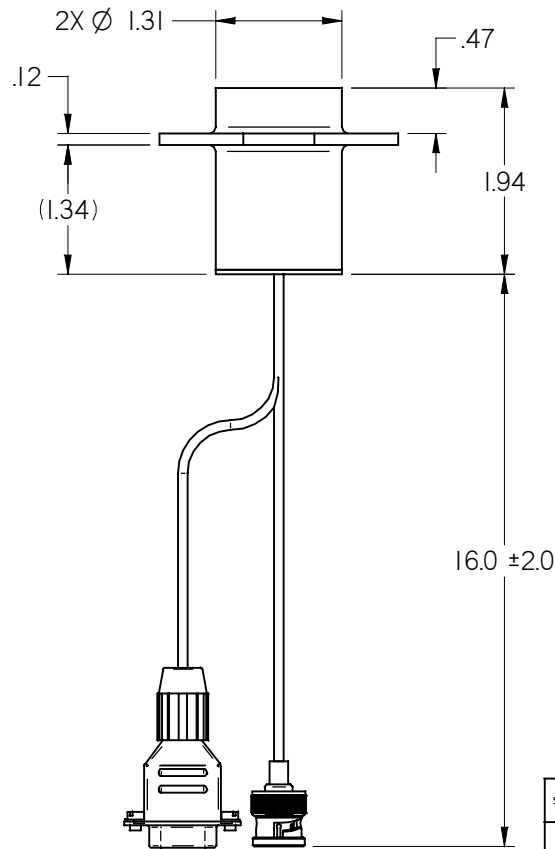
- 1. ASSEMBLY WEIGHT: .26 LBS. ±10%
- 2. HARNESS NOT SHOWN IN ALL VIEWS
- 3. REFER TO MONITOR DRAWING FOR PINOUT INFORMATION

REVISIONS						
ZONE	REV	DESCRIPTION	DATE	BY	CHG NO	APRV
	A	INITIAL DRAWING RELEASE	11/11/11	DE	EC11700	



**ELECTRONIC REVISION CONTROLLED**

**MDL - GAC Dallas (105251)**



A

A

B

B

THE INFORMATION CONTAINED HEREIN IS PROPRIETARY TO ROSEN AVIATION, LLC. IT SHALL NOT BE REPRODUCED OR DISCLOSED IN WHOLE OR IN PART OR USED FOR ANY DESIGN OR MANUFACTURE EXCEPT WHEN SUCH USER POSSESSES DIRECT, WRITTEN AUTHORIZATION FROM ROSEN AVIATION. THIS DRAWING MAY BE COVERED UNDER ONE OR MORE U.S. OR INTERNATIONAL PATENTS, PLEASE CONTACT ROSEN AVIATION FOR SPECIFIC INFORMATION.

**ROSEN AVIATION** 1020 OWEN LOOP SOUTH  
 EUGENE, OREGON 97402  
 TEL: (541) 342-3802 FAX: (541) 342-4912

APPROVALS	INITIAL	DATE
DRAWN BY	SC	04/14/11
CHECKER	GJH	11/10/11
ENGINEER	SC	11/10/11

TITLE  
**OUTLINE & INSTALLATION DRAWING, BASE ASSY, SDI, ROUND**

DWG NO  
0100-343-CD

FIRST CALLED FOR: (FCF)

SIZE	REV
A	A

UNLESS OTHERWISE SPECIFIED DIMENSIONS ARE IN INCHES  
 .X = ± .1  
 .XX = ± .03  
 ⌀ = ± 5.0°  
 RADII = ± .020  
 INTERPRET DIM AND TOL PER ASME Y14.5M - 1994

SCALE N.T.S. SHEET 1 of 1

REFER TO [www.rosenaviation.com](http://www.rosenaviation.com) FOR THE LATEST REVISION INFORMATION.

1

2