

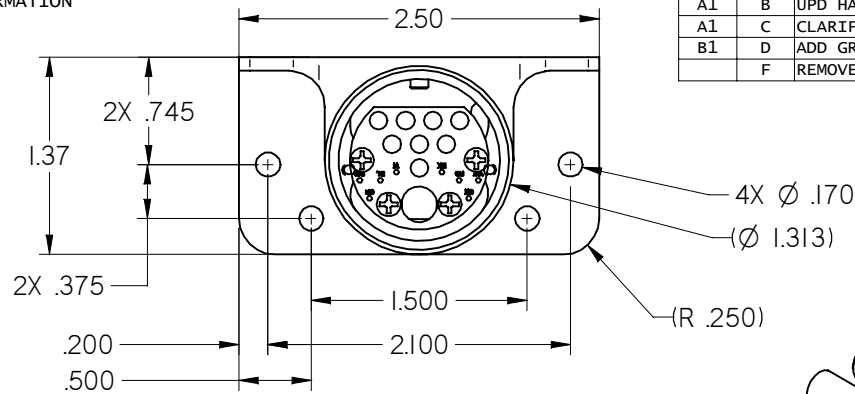
1

2

NOTES: (unless otherwise specified)

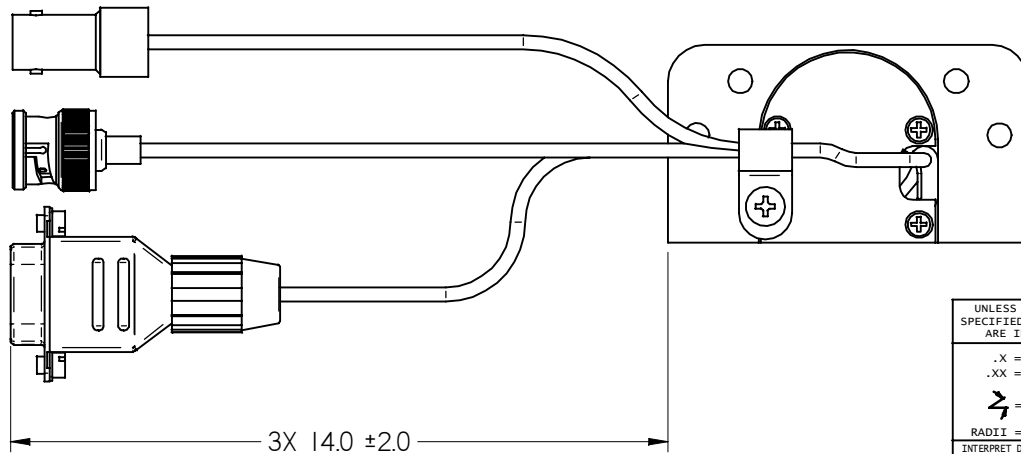
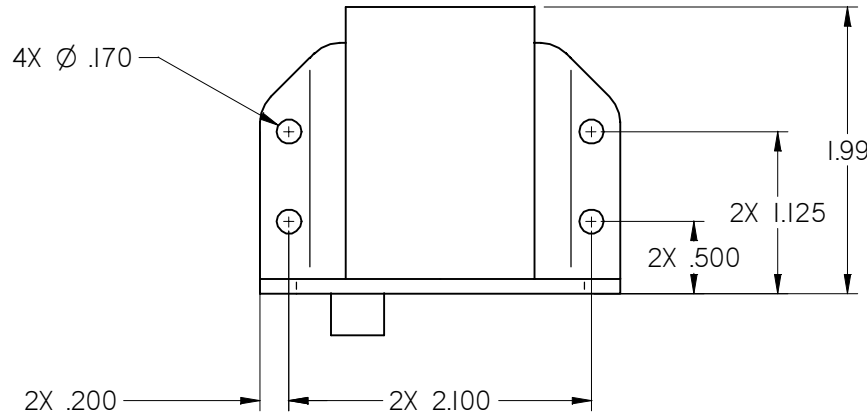
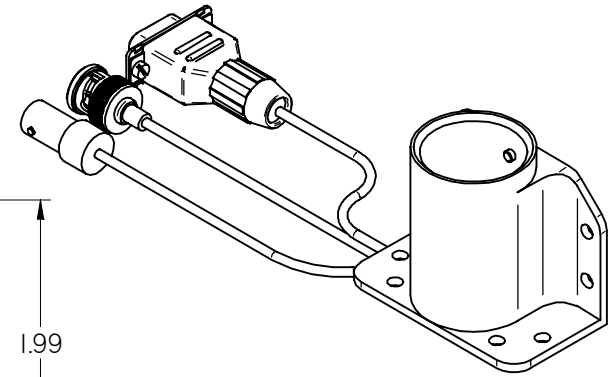
- 1. ASSEMBLY WEIGHT: .32 LBS. ±10%
- 2. HARNESS NOT SHOWN IN ALL VIEWS
- 3. REFER TO MONITOR DRAWING FOR PINOUT INFORMATION

REVISIONS						
ZONE	REV	DESCRIPTION	DATE	BY	CHG NO	APRV
	A	INITIAL DRAWING RELEASE	01/13/11	DE	EC11004	
A1	B	UPD HARNESS LENGTH	03/21/11	DE	EC11200	SC
A1	C	CLARIFY HARNESS LENGTH	04/13/11	DE	EC11287	SC
B1	D	ADD GROUND STRAP	05/04/11	DE	EC11340	SC
	F	REMOVE GROUND STRAP	07/11/11	DE	EC11452	SC



**ELECTRONIC REVISION
CONTROLLED**

MDL –GAC Savannah



THE INFORMATION CONTAINED HEREIN IS PROPRIETARY TO ROSEN AVIATION, LLC. IT SHALL NOT BE REPRODUCED OR DISCLOSED IN WHOLE OR IN PART OR USED FOR ANY DESIGN OR MANUFACTURE EXCEPT WHEN SUCH USER POSSESSES DIRECT, WRITTEN AUTHORIZATION FROM ROSEN AVIATION. THIS DRAWING MAY BE COVERED UNDER ONE OR MORE U.S. OR INTERNATIONAL PATENTS, PLEASE CONTACT ROSEN AVIATION FOR SPECIFIC INFORMATION.

Rosen AVIATION 1020 OWEN LOOP SOUTH
EUGENE, OREGON 97402
TEL: (541) 342-3802 FAX: (541) 342-4912

TITLE
**OUTLINE & INSTALLATION DRAWING,
BASE ASSY, SDI, MCX**

FIRST CALLED FOR: (FCF)

APPROVALS	INITIAL	DATE
DRAWN BY	SC	01/06/11
CHECKER	GJH	01/06/11
ENGINEER	SC	01/12/11

DWG NO
0100-302-CD

SIZE	REV
A	F

SCALE N.T.S. SHEET 1 of 1

UNLESS OTHERWISE SPECIFIED DIMENSIONS ARE IN INCHES
 .X = ± .1
 .XX = ± .03
 ⌀ = ± 5.0°
 RADIUS = ± .020
 INTERPRET DIM AND TOL PER ASME Y14.5M - 1994

1

2