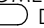
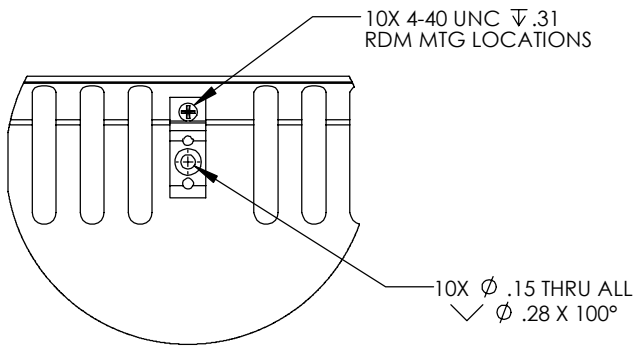


NOTES: (UNLESS OTHERWISE SPECIFIED)

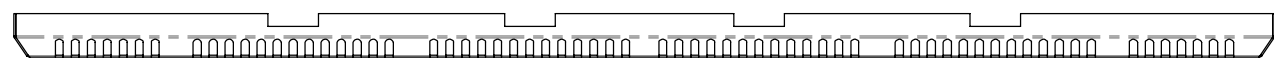
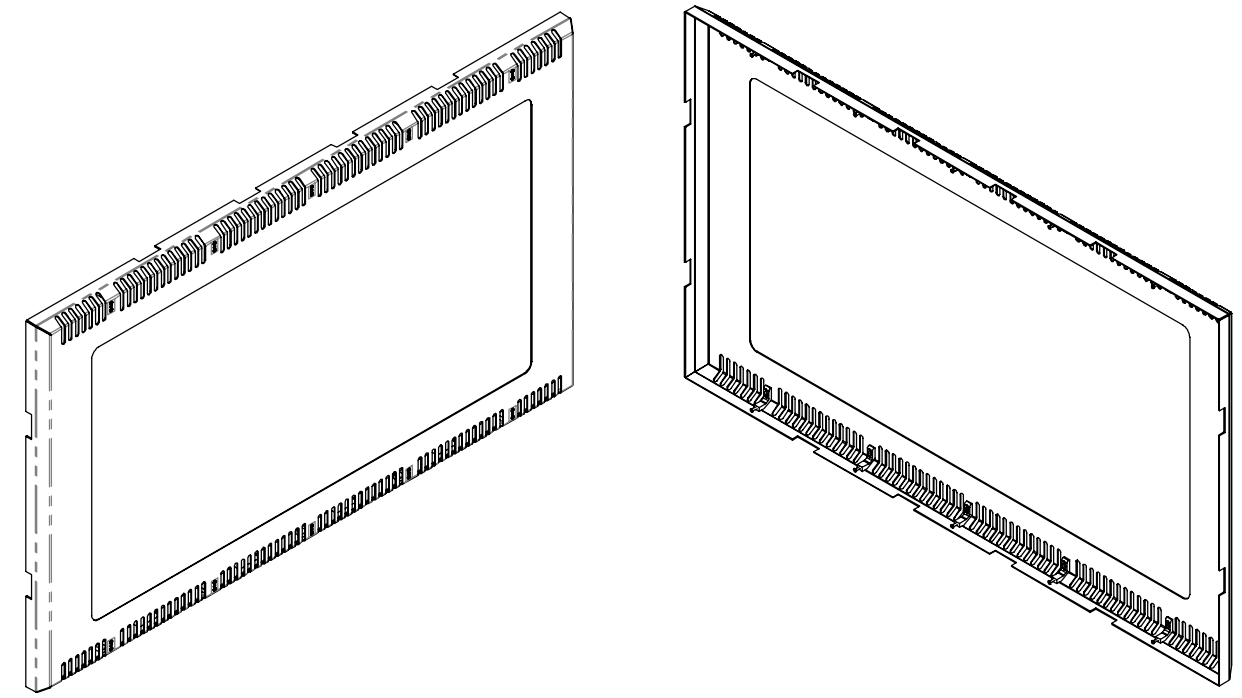
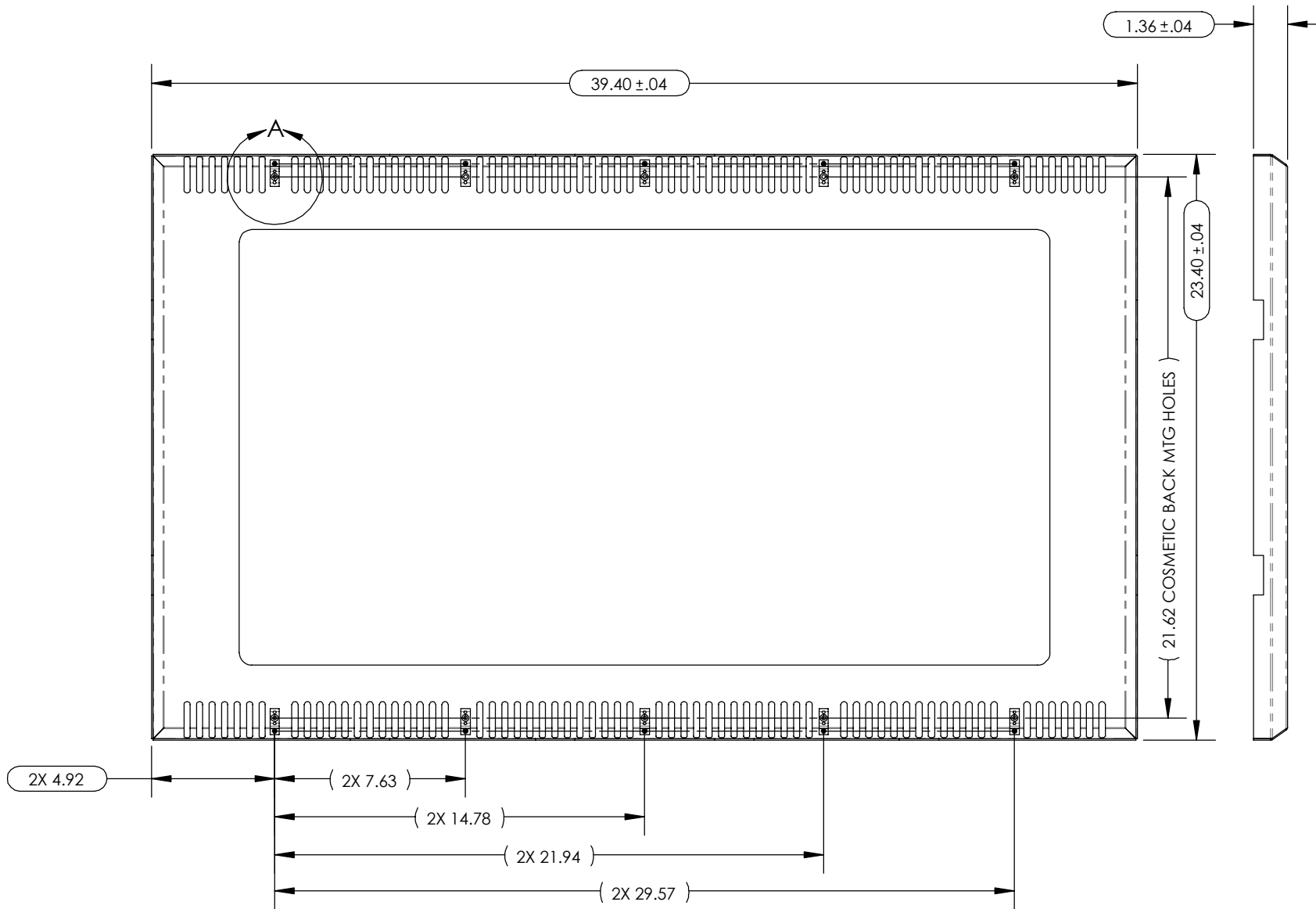
1. COSMETIC BACK ASSEMBLY WEIGHT: 2.5 LBS ±10%
2. SOME MINOR PARTS, LABELS, HARNESSES AND INSTRUCTIONS OMITTED FOR CLARITY
3.  DENOTES ROSEN FAI DIMENSION

REVISIONS						
ZONE	REV	DESCRIPTION	DATE	BY	EC NO.	APRV
	1.0	PRELIMINARY RELEASE	4/23/12	DE		BEF
	A	RELEASE TO PRODUCTION	09/04/12	DE	12-0419	




DETAIL A
SCALE 1 : 2

**ELECTRONIC REVISION
CONTROLLED**



THE INFORMATION CONTAINED HEREIN IS PROPRIETARY TO ROSEN AVIATION, LLC. IT SHALL NOT BE REPRODUCED OR DISCLOSED IN WHOLE OR IN PART OR USED FOR ANY DESIGN OR MANUFACTURE EXCEPT WHEN SUCH USER POSSESSES DIRECT, WRITTEN AUTHORIZATION FROM ROSEN AVIATION, LLC. THIS DRAWING MAY BE COVERED UNDER ONE OR MORE U.S. OR INTERNATIONAL PATENTS, PLEASE CONTACT ROSEN AVIATION FOR SPECIFIC INFORMATION.

	1020 OWEN LOOP SOUTH EUGENE, OREGON 97402 TEL: (541) 342-3802 FAX: (541) 342-4912		APPROVALS	INITIAL	DATE
			DRAWN BY	DE	04/23/12
			CHECKER	JC	08/30/12
			ENGINEER	BEF	08/30/12
TITLE OUTLINE & INSTALLATION DRAWING, COSMETIC BACK 42 W/S			4201-800-CD		
FIRST CALLED FOR: (FCF) 42in Rosen - 264			SIZE		REV
			B		A
			SCALE: 1:6	SHEET 1 OF 1	

UNLESS OTHERWISE SPECIFIED DIMENSIONS ARE IN INCHES
 .X = ±.1
 .XX = ±.03
 ∠ = ± 5.0°
 RADII ±.020
 INTERPRET DIM AND TOL PER ASME Y14.5M - 1994