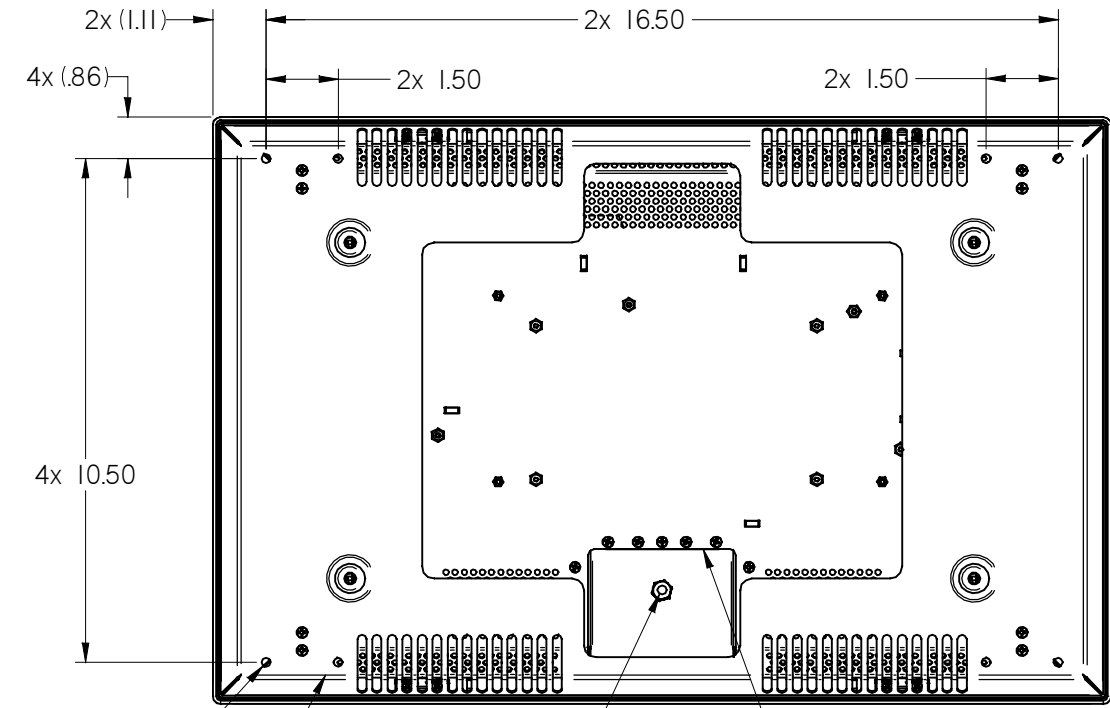
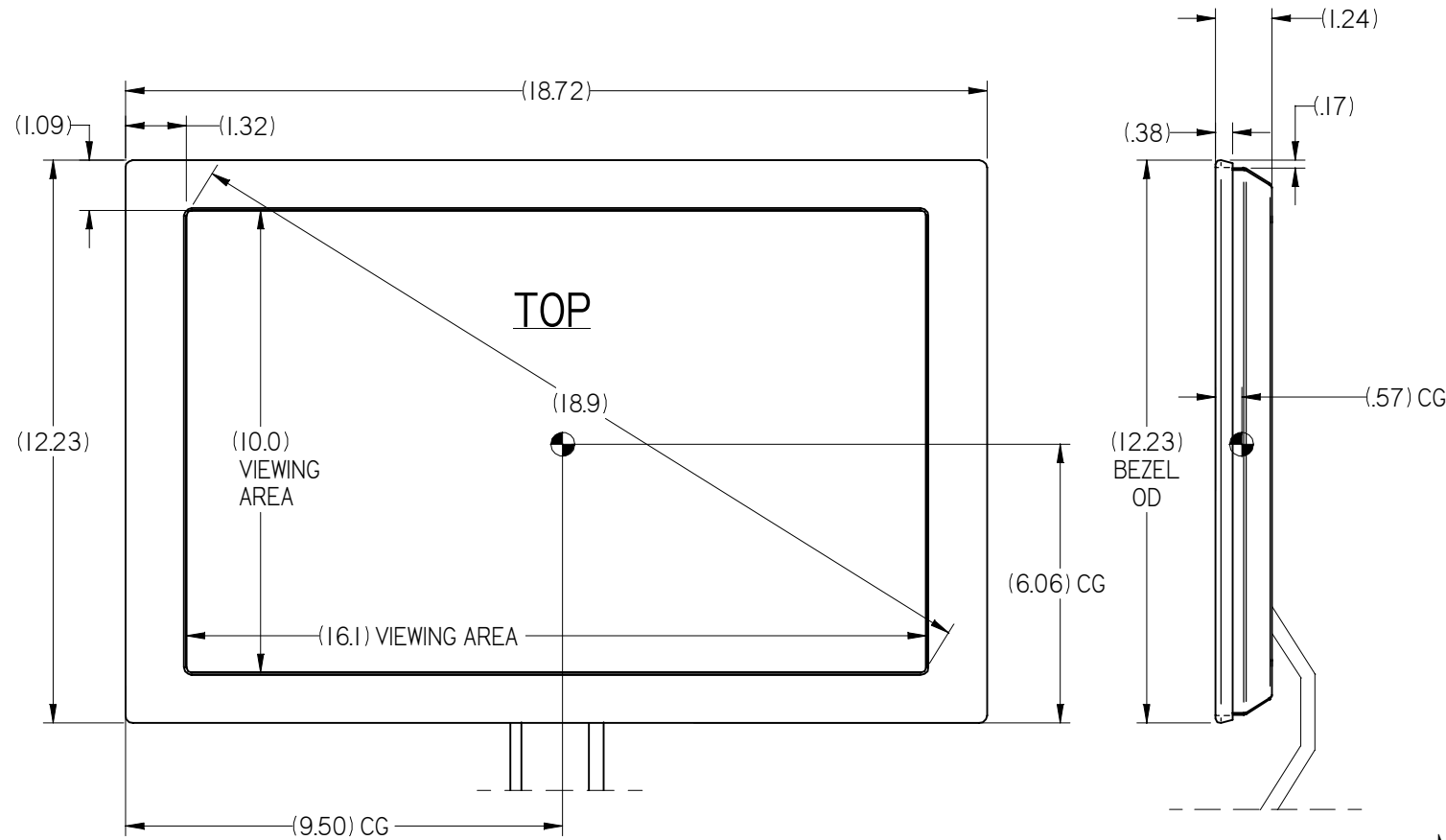


NOTES: (UNLESS OTHERWISE SPECIFIED)

1. COSMETIC BACK WEIGHT: .8 LBS +/-10%
2. SOME MINOR PARTS, LABELS, HARNESSES AND INSTRUCTIONS OMITTED FOR CLARITY

ELECTRONIC REVISION CONTROLLED

REVISIONS						
ZONE	REV	DESCRIPTION	DATE	BY	CHG NO	APRV
	A	INITIAL DRAWING RELEASE	11/07/11	DE	EC11682	



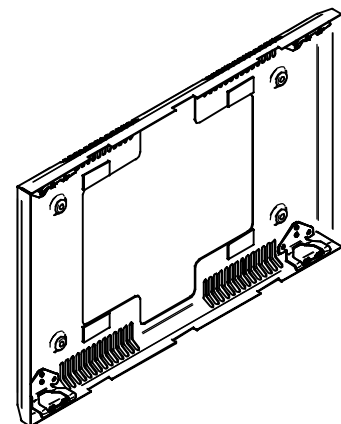
8x (Ø .188) MOUNTING HOLE 4 REQ'D 2 TOP, 2 BOTTOM

10-32 CHASSIS GROUND LUG

HARNESS EXIT 1 1/2" MINIMUM BEND RADIUS

BEZEL AND RDM SHOWN FOR REFERENCE ONLY TO LOCATE COSMETIC BACK SEE DWG 1901-100-CD FOR FURTHER INFORMATION ON RDM SEE DWG 1901-900-CD FOR FURTHER INFORMATION ON BEZEL

THIS IS A COSMETIC BACK ONLY ASSEMBLY RDM AND BEZEL SHOWN FOR REFERENCE ONLY



UNLESS OTHERWISE SPECIFIED DIMENSIONS ARE IN INCHES
 .X = ± .1
 .XX = ± .03
 R = ± 5.0°
 RADIUS = ± .020
 INTERPRET DIM AND TOL PER ASME Y14.5M - 1994

THE INFORMATION CONTAINED HEREIN IS PROPRIETARY TO ROSEN AVIATION, LLC. IT SHALL NOT BE REPRODUCED OR DISCLOSED IN WHOLE OR IN PART OR USED FOR ANY DESIGN OR MANUFACTURE EXCEPT WHEN SUCH USER POSSESSES DIRECT, WRITTEN AUTHORIZATION FROM ROSEN AVIATION, LLC. THIS DRAWING MAY BE COVERED UNDER ONE OR MORE U.S. OR INTERNATIONAL PATENTS, PLEASE CONTACT ROSEN AVIATION FOR SPECIFIC INFORMATION.

	1020 OWEN LOOP SOUTH EUGENE, OREGON 97402 TEL: (541) 342-3802 FAX: (541) 342-4912		APPROVALS	INITIAL	DATE
			DRAWN BY	BEF	06-15-11
			CHECKER	DE	11/03/11
TITLE		ENGINEER		11/03/11	
OUTLINE & INSTALLATION DRAWING, COSMETIC BACK 19" W/S, 900 STYLING		DWG NO		1901-800-CD	
FIRST CALLED FOR: (FCF)		SIZE	REV		
19 RDM, 1901		B	A		
		SCALE 1:4	SHEET 1 of 1		