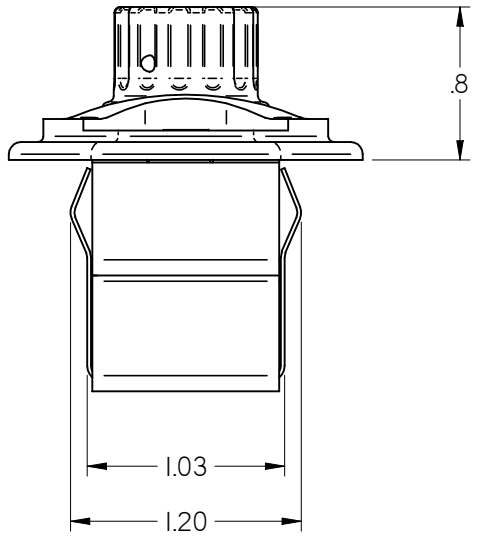
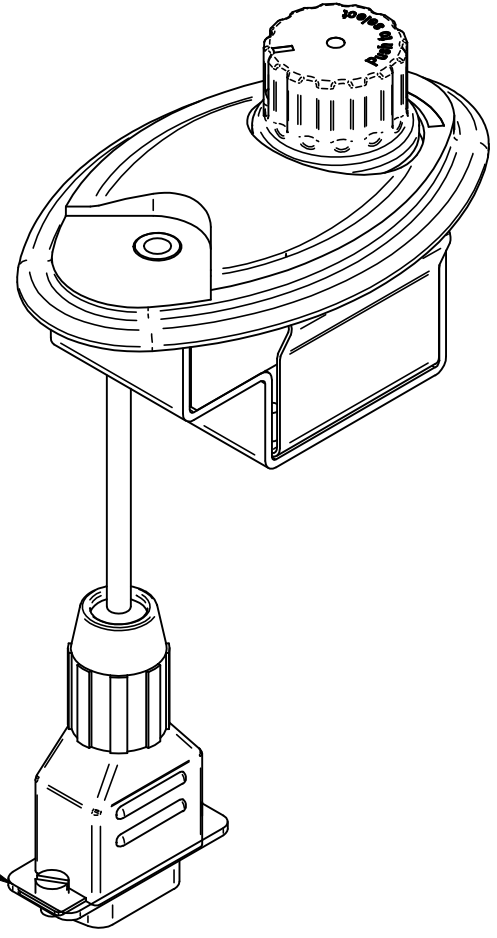
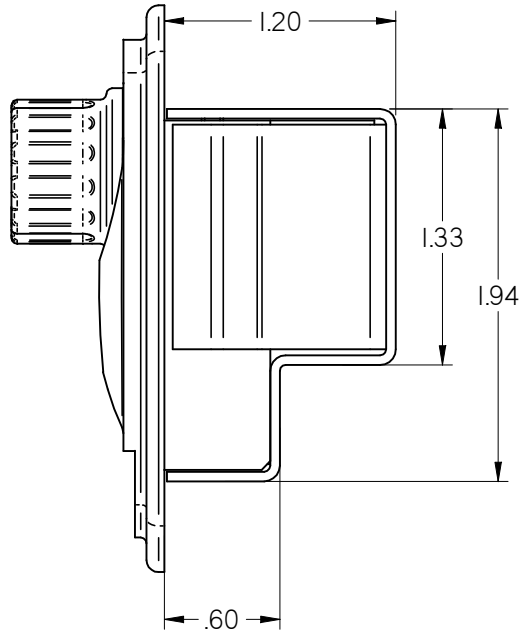
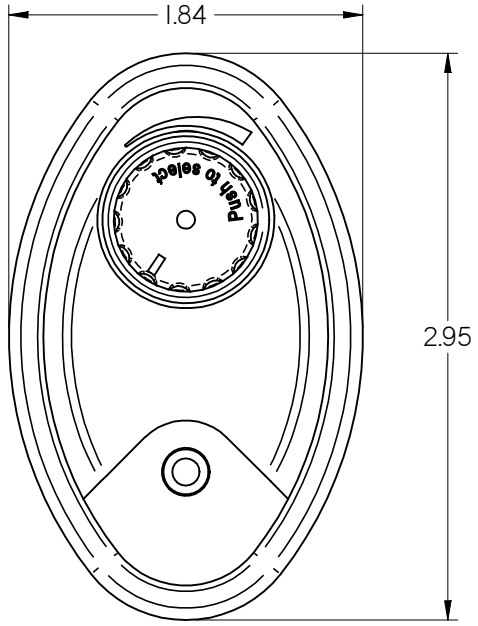


ELECTRONIC REVISION CONTROLLED

NOTES: (unless otherwise specified)

1. ASSEMBLY WEIGHT: .25 LBS. ±5%
2. HARNESS LENGTH: 5.5 ± 1 INCHES
3. SOME MINOR PARTS, LABELS AND INSTRUCTIONS OMITTED FOR CLARITY

REVISIONS						
ZONE	REV	DESCRIPTION	DATE	BY	CHG NO	APRV
	A	INITIAL DRAWING RELEASE	10/03/08	GJH	EC08404	
PG2	B	UPDATE PANEL CUTOUT INFORMATION	03/16/16	SC	16-0067	MCS
PG2	C	CHANGE CUTOUT FROM 1.41-1.71	02/22/17	SC	17-0107	BEF



THE INFORMATION CONTAINED HEREIN IS PROPRIETARY TO ROSEN AVIATION, LLC. IT SHALL NOT BE REPRODUCED OR DISCLOSED IN WHOLE OR IN PART OR USED FOR ANY DESIGN OR MANUFACTURE EXCEPT WHEN SUCH USER POSSESSES DIRECT, WRITTEN AUTHORIZATION FROM ROSEN AVIATION. THIS DRAWING MAY BE COVERED UNDER ONE OR MORE U.S. OR INTERNATIONAL PATENTS, PLEASE CONTACT ROSEN AVIATION FOR SPECIFIC INFORMATION.

ROSEN AVIATION 1020 OWEN LOOP SOUTH
EUGENE, OREGON 97402
TEL: (541) 342-3802 FAX: (541) 342-4912

APPROVALS	INITIAL	DATE
DRAWN BY	SC	09/04/08
CHECKER	DRF	06/23/08
ENGINEER	SC	10/02/08

UNLESS OTHERWISE SPECIFIED DIMENSIONS ARE IN INCHES
 .X = ± .1
 .XX = ± .03
 = ± 5.0'
 RADII = ± .020
 INTERPRET DIM AND TOL PER ASME Y14.5M - 1994

TITLE
**OUTLINE & INSTALLATION DRAWING,
AUDIO CONTROL JACK**

FIRST CALLED FOR: (FCF)

DWG NO 0700-003-CD	
SIZE A	REV C
SCALE 1:1	SHEET 1 OF 2

REFER TO www.rosenaviation.com FOR THE LATEST REVISION INFORMATION.

Performance Specifications (Reference)

Connector Pinout - DB9

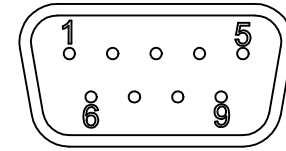
Potentiometer	
Resistance	1K Ohms
Taper	Logarithmic
Shaft Rotation	310°
Push Button Travel	.09 inches

Slimline Base Receptacle	
Connector: 9 Pin Male D-Subminiature Positronic SD9M0000Z	
Mate: 9 Pin Female D-Subminiature (Included)	
Rosen Connector Kit: 0300-022	

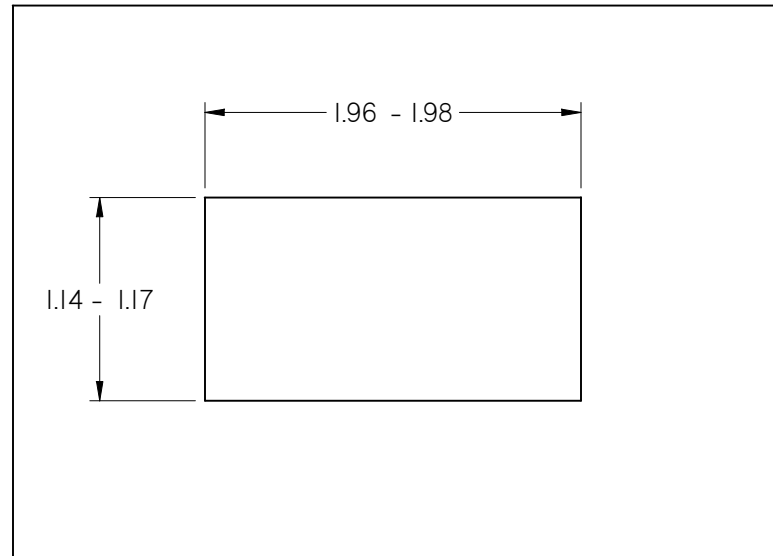
Audio Jack	
Plug Diameter	3.5 mm

Pin #	Monitor signal
1	Reserved
2	Reserved
3	Source Select
4	Left Audio In
5	Right Audio In
6	Reserved
7	Reserved
8	Left Audio Return
9	Right Audio Return

Environmental Specifications	
Operating Temperature	0°C - 60°C
Altitude	15,000ft
Humidity	95%RH
Vibration	1.48 grms
Power Input	-
RF Susceptibility	-
Emission of RF Energy	-



9 PIN MALE DSUB



SUGGESTED PANEL CUTOUT
 RECOMMENDED PANEL THICKNESS: .15" - .25"
 UNIT MAY BE LOOSE WHEN INSTALLED IN PANELS THINNER THAN .15"
 SPRING CLIPS WILL NOT EXPAND OUT IN PANELS THICKER THAN .25". FRICTION FIT ONLY

<small>THE INFORMATION CONTAINED HEREIN IS PROPRIETARY TO ROSEN AVIATION, LLC. IT SHALL NOT BE REPRODUCED OR DISCLOSED IN WHOLE OR IN PART OR USED FOR ANY DESIGN OR MANUFACTURE EXCEPT WHEN SUCH USER POSSESSES DIRECT, WRITTEN AUTHORIZATION FROM ROSEN AVIATION, LLC. THIS DRAWING MAY BE COVERED UNDER ONE OR MORE U.S. OR INTERNATIONAL PATENTS. PLEASE CONTACT ROSEN AVIATION FOR SPECIFIC INFORMATION.</small>			
ROSEN AVIATION	1020 OWEN LOOP SOUTH EUGENE, OREGON 97402 TEL: (541) 342-3802 FAX: (541) 342-4912	SIZE A DWG NO 0700-003-CD	REV C
	SCALE NONE SHEET 2 OF 2		