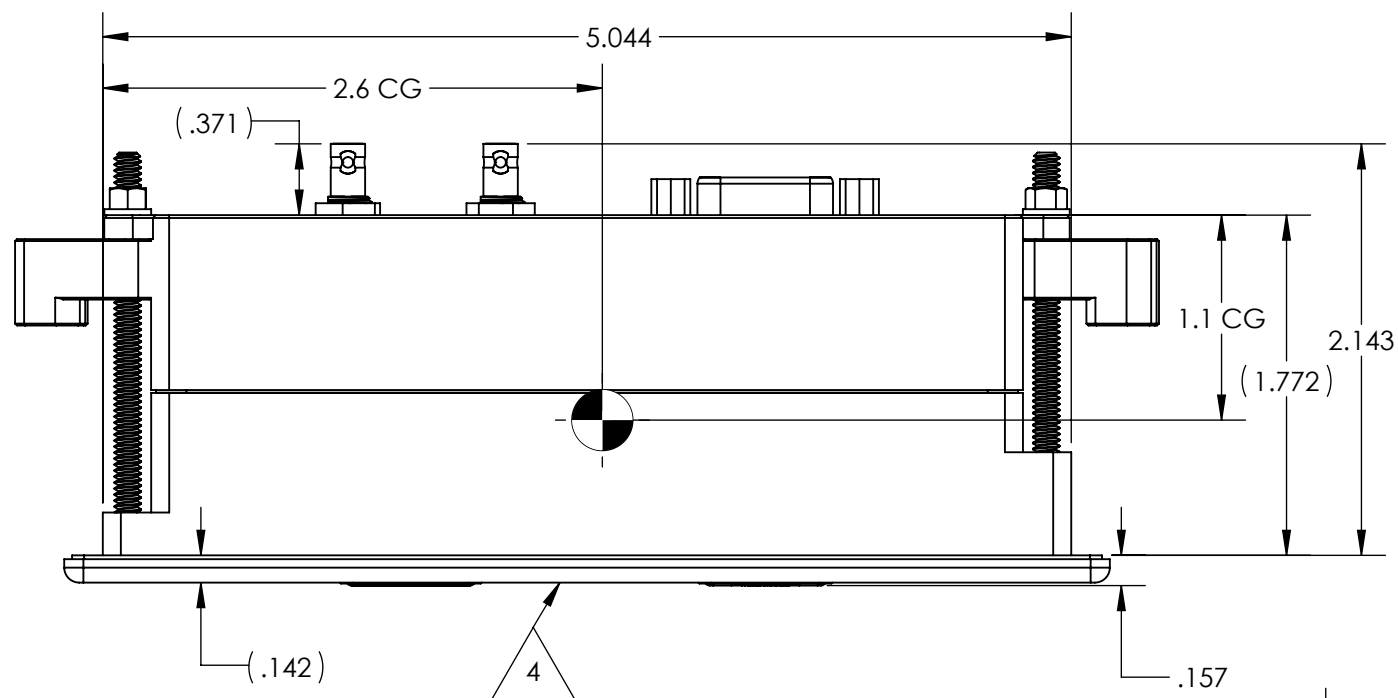


NOTES: (UNLESS OTHERWISE SPECIFIED)

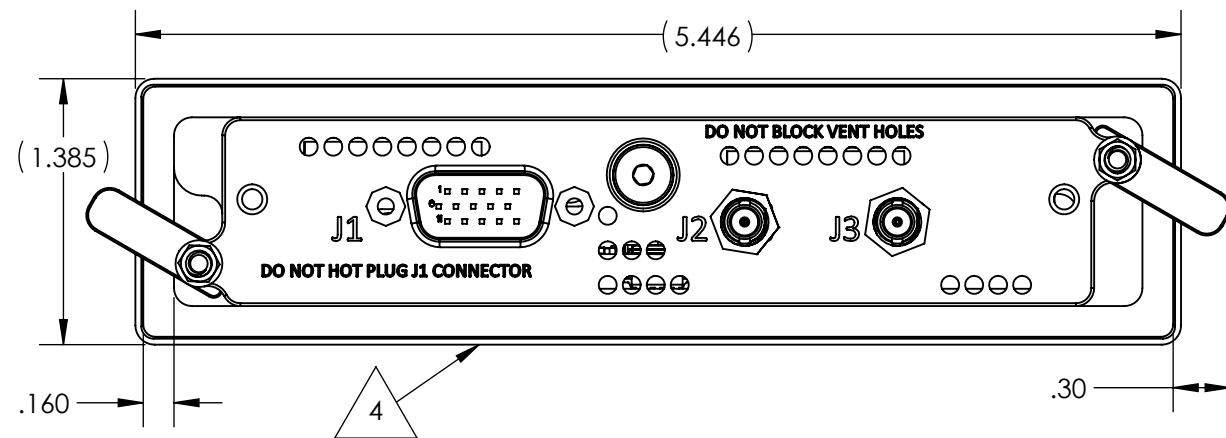
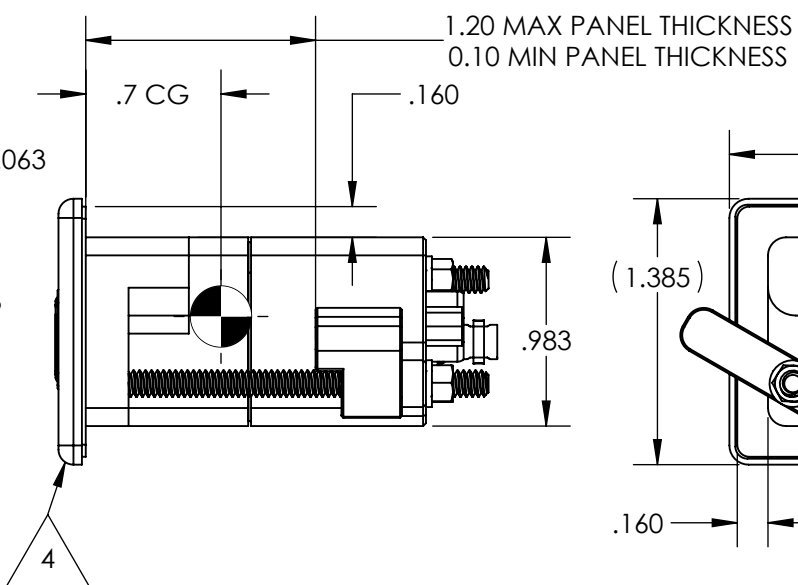
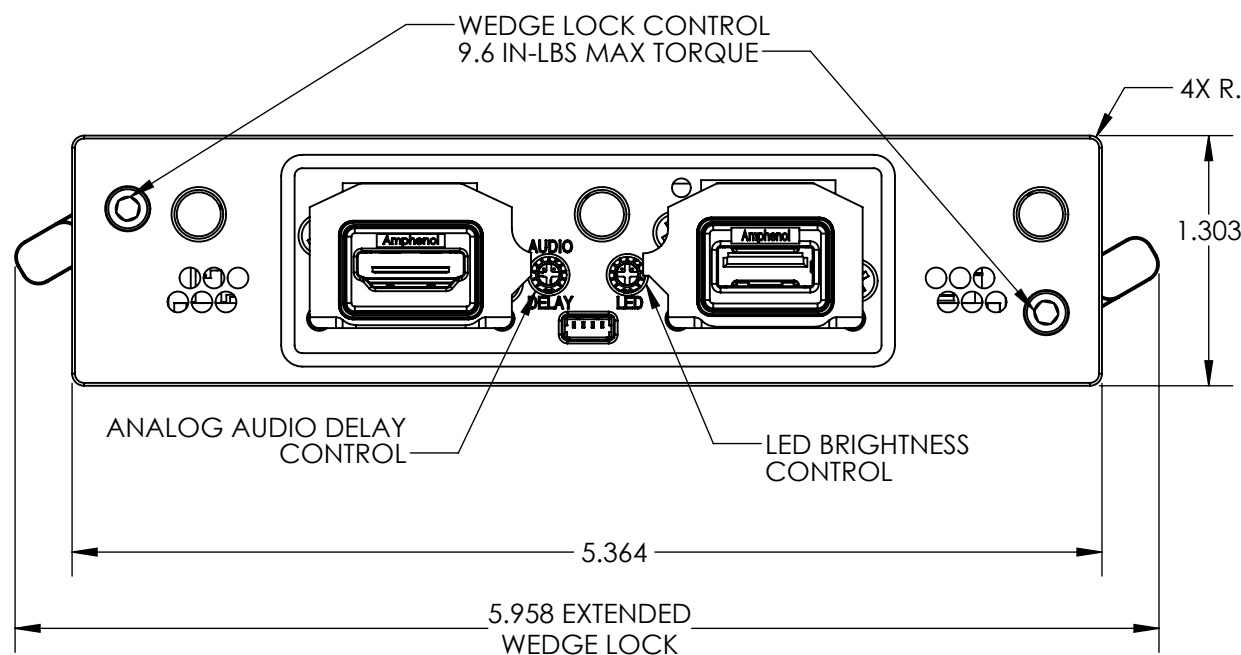
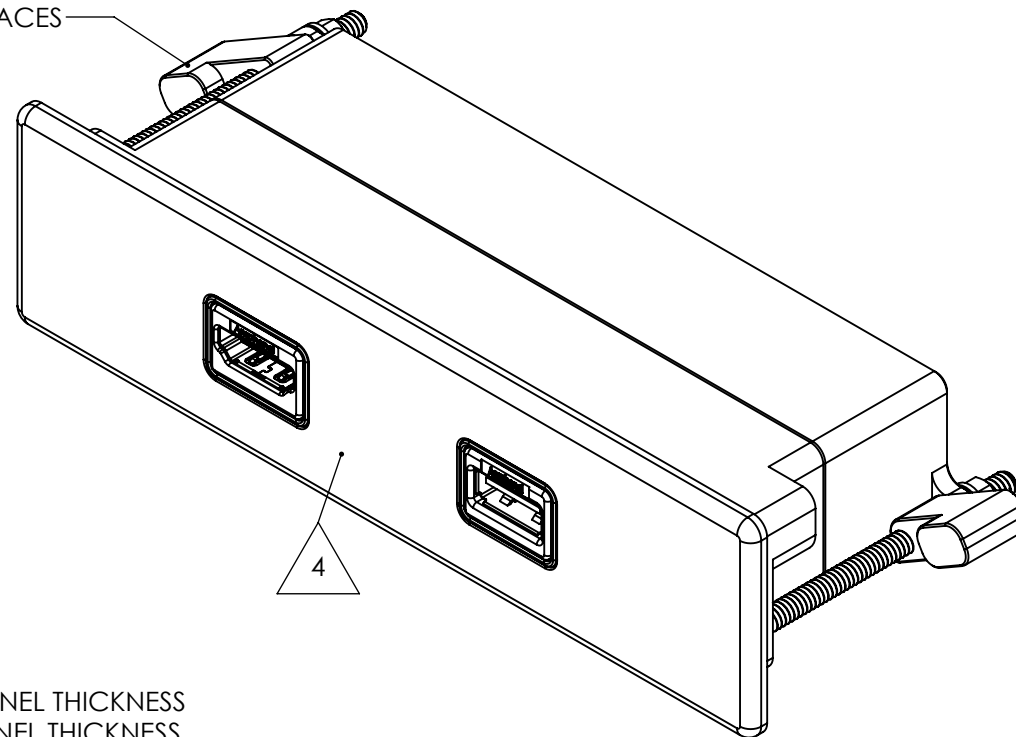
1. ASSEMBLY WEIGHT: 0.45 LBS MAX
2. OBSERVE ESD SAFE HANDLING PRACTICES, FOLLOW ANSI / ESD 520.20
3. SEE QUALITY CONTROL PLAN, IF APPLICABLE, FOR ANY CRITICAL ITEMS, SPECIAL PROCESSES OR KEY CHARACTERISTICS THAT MAY EXIST

4. OPTIONAL BLACK ANODIZED OR RAW ALUMINUM BEZEL AVAILABLE FOR PLATING SOLD SEPARATELY
5. PROVIDE 1/4" CLEARANCE FOR VENTING FROM BACK OF UNIT. DO NOT BLOCK VENT HOLES ON BACK OF UNIT
 6. DO NOT HOT PLUG J1 CONNECTOR

REVISIONS						
ZONE	REV	DESCRIPTION	DATE	BY	EC NO	APRV
	3.0	HIDE BEZEL IN FRONT VIEW	02/05/18	SC	NEC18-0094	MCS
	A	INITIAL PRODUCTION RELEASE	02/23/18	MCS	18-0130	
SH2	B	UPD USB CHARGING NOTE, WAS 2.1 AMPS PER USB STANDARD	03/15/18	MCS	18-0175	SC



WEDGE LOCKS ROTATE OUT WHEN TIGHTENED 2 PLACES



THE INFORMATION CONTAINED HEREIN IS PROPRIETARY TO ROSEN AVIATION, LLC. IT SHALL NOT BE REPRODUCED OR DISCLOSED IN WHOLE OR IN PART OR USED FOR ANY DESIGN OR MANUFACTURE EXCEPT WHEN SUCH USER POSSESSES DIRECT, WRITTEN AUTHORIZATION FROM ROSEN AVIATION, LLC. THIS DRAWING MAY BE COVERED UNDER ONE OR MORE U.S. OR INTERNATIONAL PATENTS, PLEASE CONTACT ROSEN AVIATION FOR SPECIFIC INFORMATION.

ROSEN AVIATION 1020 OWEN LOOP SOUTH EUGENE, OREGON 97402 TEL: (541) 342-3802 FAX: (541) 342-4912	APPROVALS	INITIAL	DATE
	DRAWN BY	MCS	11/28/17
	CHECKER	SC	02/22/18
TITLE	ENGINEER	MCS	02/22/18
OUTLINE & INSTALLATION DRAWING, MEDIA INPUT PANEL			MIP100-002-CD
FIRST CALLED FOR: (FCF)	SIZE	REV	
359-MIP	B	B,	
	SCALE: 1:1	SHEET 1 OF 2	

UNLESS OTHERWISE SPECIFIED DIMENSIONS ARE IN INCHES
 .X = ±.1
 .XX = ±.03
 .XXX = ±.015
 .XXX = ±.015
 RADII ±.020
 INTERPRET DIM AND TOL PER ASHES Y14.5M - 1994

Environmental Specifications

Operating Temperature	-15°C - +55°C
Altitude	15,000ft
Humidity	95%RH
Vibration	DO-160G Cat S (Curve B)
Power Input	DO-160G Cat Z(A)
Radio Frequency Susceptibility	DO-160G Cat T
Emission of RF Energy	DO-160G Cat M

Power Requirements

Operational Voltage Range	18 - 32 V
Max Current at Nominal Voltage***	0.6 A
Inrush Peak	7.2 A
Inrush Duration	10 μS

* SDI SCRAMBLE PROTOCOL COMPATIBLE WITH ROSEN MONITORS. SDI CONTAINS DIGITAL AUDIO AND VIDEO FROM HDMI INPUT ONLY

** OPEN = 3G-SDI OUTPUT (1080P60 MAX)
 GND = HD-SDI OUTPUT (1080P30 MAX)
 THIS SETTING IS READ AT POWER-UP AND ONLY AFFECTS THE HDMI EDID. SEE TECHNICAL MANUAL FOR ADDITIONAL INFORMATION

*** CURRENT DRAW WILL INCREASE AS VOLTAGE DECREASES (CONSTANT POWER)

◆ ANALOG AUDIO OUTPUT IS LINE LEVEL 2Vrms FIXED. DELAY CAN BE ADJUSTED BY POTENTIOMETER LOCATED ON FRONT FACE BEHIND BEZEL

◆◆ DO NOT HOTPLUG THIS CONNECTOR

J1

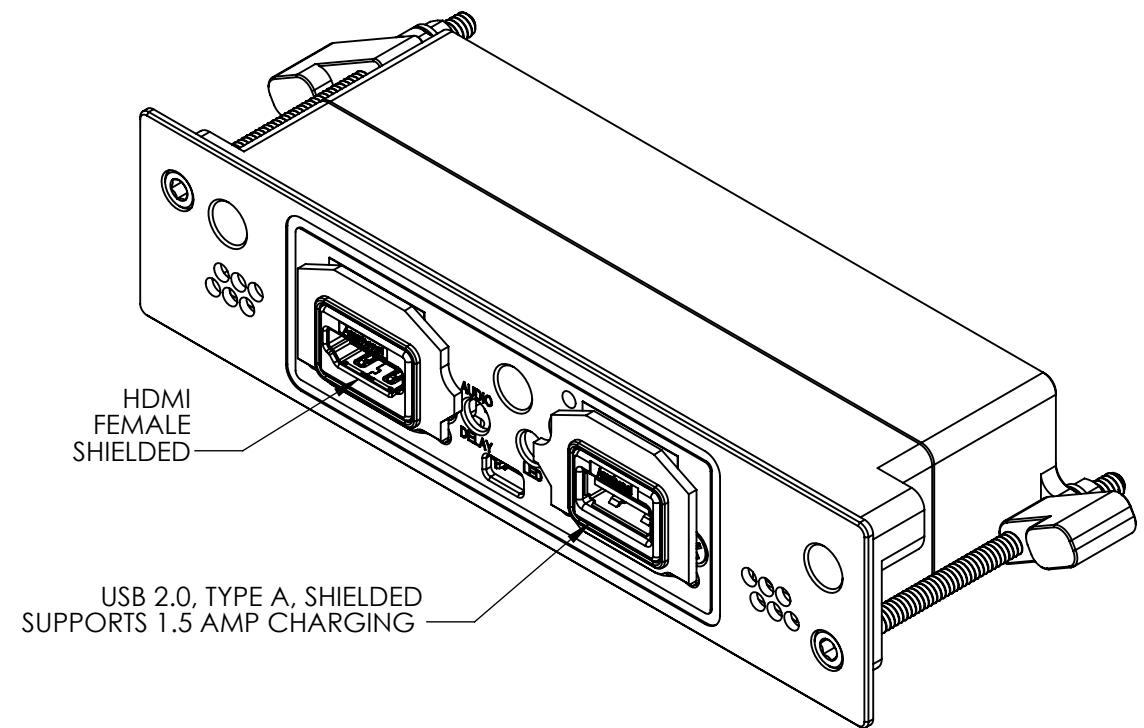
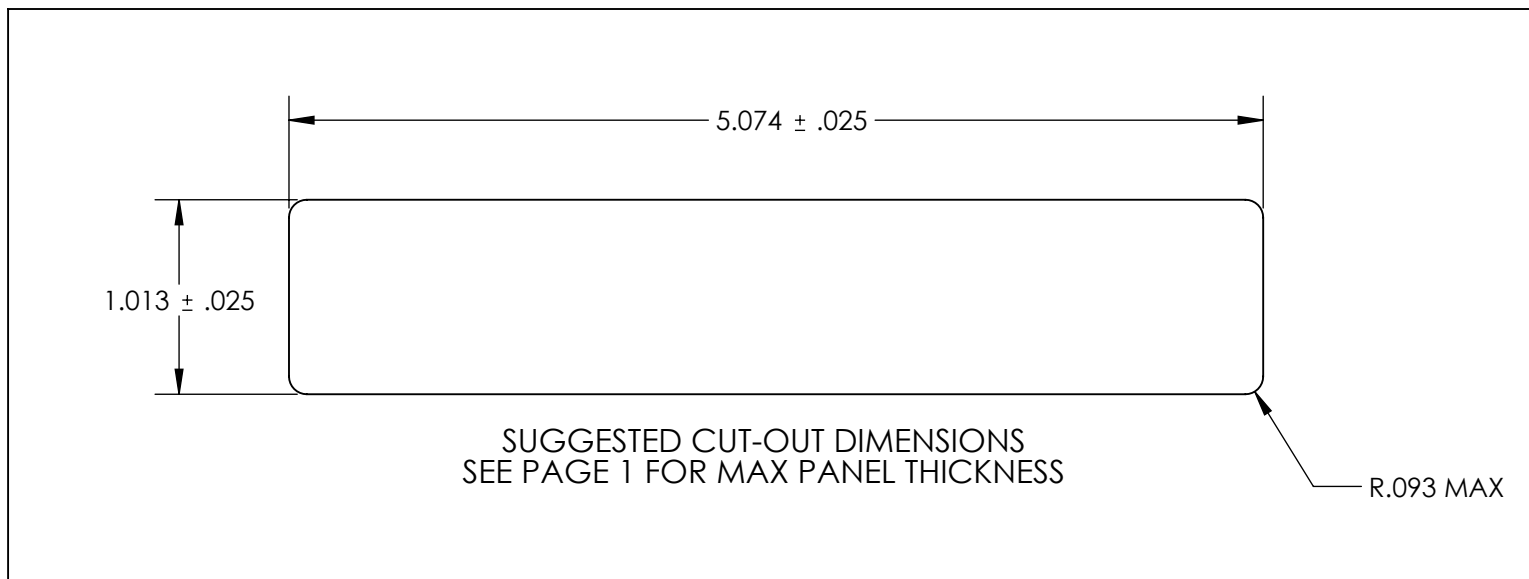
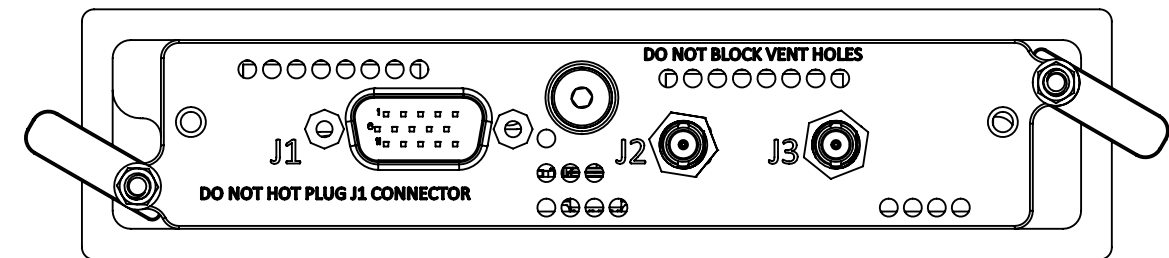
POWER, USB ◆◆	
15-PIN HD-SUB, MALE	
SUGGESTED MATE	
HOUSING	AMP - 1658681-1
CONTACT	AMP - 1658686-1
SHELL	3M - 3357-9209
Pin	Signal
1	Return 28 VDC
2	28 VDC in
3	3G / HD Control in**
4	Chassis GND
5	HDMI Analog Audio Out Right ◆
6	N/C
7	Signal GND
8	N/C
9	N/C
10	HDMI Analog Audio Out Left ◆
11	USB VBUS
12	USB D-
13	USB D+
14	USB GND
15	HDMI Analog Audio Return

J2

SDI 1*	
HD-BNC JACK	
SUGGESTED MATE	
TYPE	HDBNC
MATE	AMP - .34-1042
IMPEDANCE	75 OHM
PIN	SIGNAL
CENTER	3G-SDI
OUTER	3G-SDI RETURN

J3

SDI 2*	
HD-BNC JACK	
SUGGESTED MATE	
TYPE	HDBNC
MATE	AMP - .34-1042
IMPEDANCE	75 OHM
PIN	SIGNAL
CENTER	3G-SDI
OUTER	3G-SDI RETURN



THE INFORMATION CONTAINED HEREIN IS PROPRIETARY TO ROSEN AVIATION, LLC. IT SHALL NOT BE REPRODUCED OR DISCLOSED IN WHOLE OR IN PART OR USED FOR ANY DESIGN OR MANUFACTURE EXCEPT WHEN SUCH USER POSSESSES DIRECT, WRITTEN AUTHORIZATION FROM ROSEN AVIATION, LLC. THIS DRAWING MAY BE COVERED UNDER ONE OR MORE U.S. OR INTERNATIONAL PATENTS, PLEASE CONTACT ROSEN AVIATION FOR SPECIFIC INFORMATION.

	1020 OWEN LOOP SOUTH EUGENE, OREGON 97402 TEL: (541) 342-3802 FAX: (541) 342-4912	SIZE B	MIP100-002-CD	REV B,
	SCALE: 1:1	SHEET 2 OF 2		