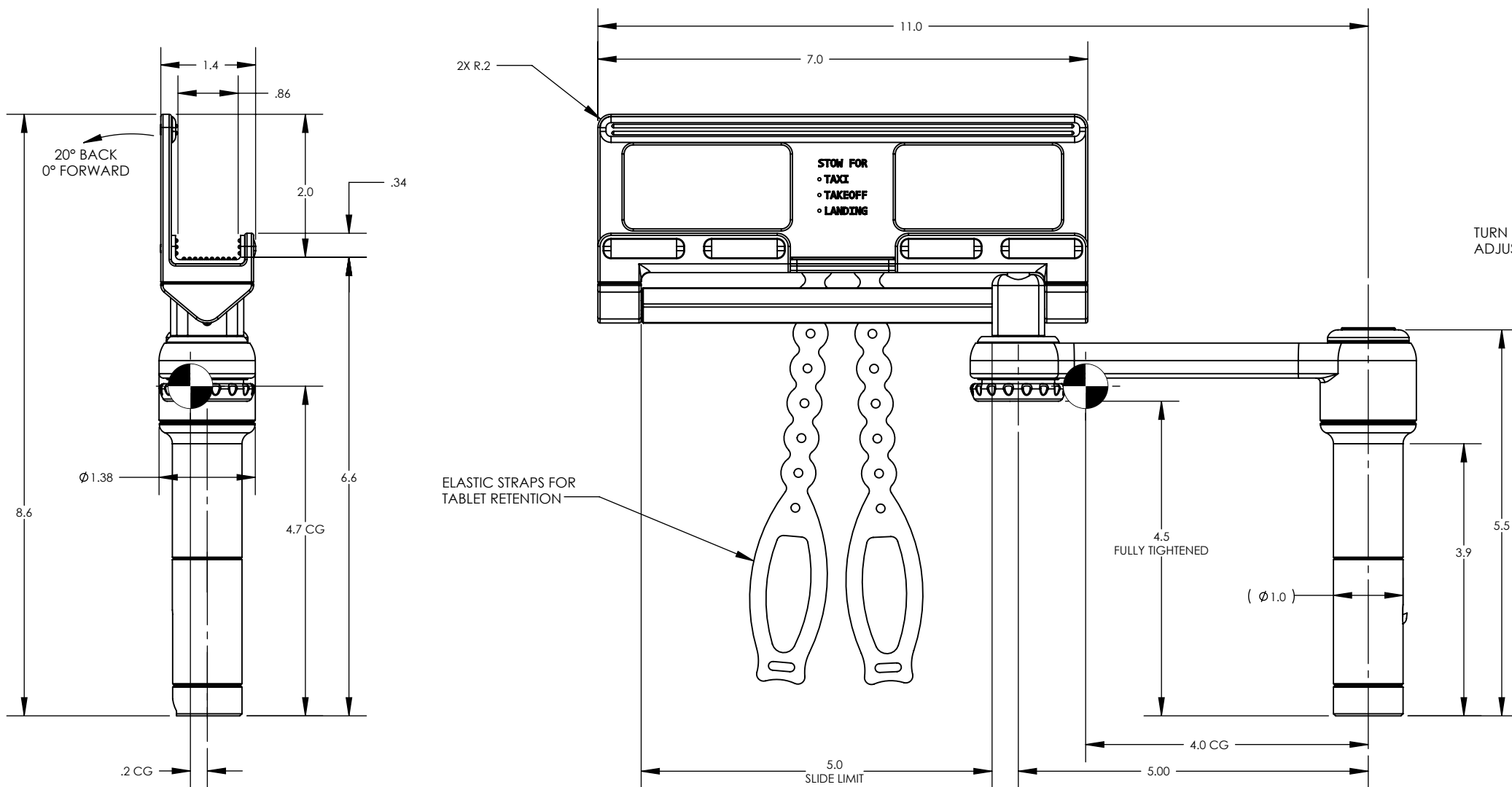
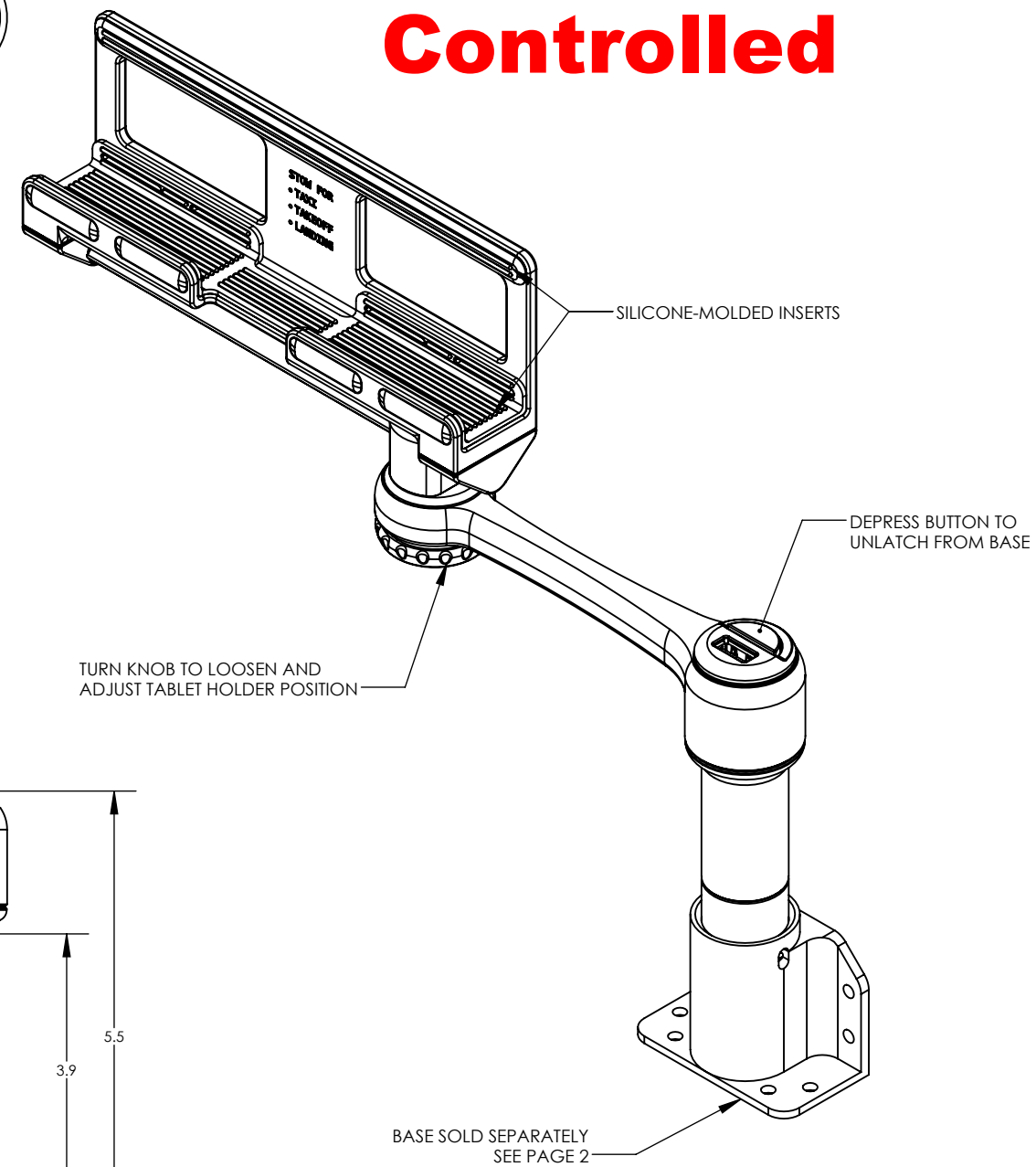
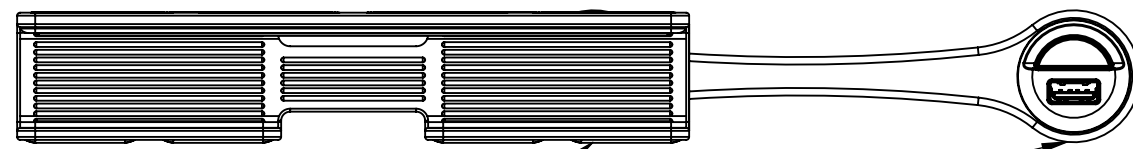


NOTES: (UNLESS OTHERWISE SPECIFIED)
1. ASSEMBLY WEIGHT: 1.15 LBS MAX
2. SOME MINOR PARTS, LABELS AND INSTRUCTIONS OMITTED FOR CLARITY

| REVISIONS | | | | | | |
|-----------|-----|--------------------|----------|----|---------|------|
| ZONE | REV | DESCRIPTION | DATE | BY | EC NO | APRV |
| | A | PRODUCTION RELEASE | 07/16/18 | SC | 18-0434 | |

Electronic Revision Controlled



THE INFORMATION CONTAINED HEREIN IS PROPRIETARY TO ROSEN AVIATION, LLC. IT SHALL NOT BE REPRODUCED OR DISCLOSED IN WHOLE OR IN PART OR USED FOR ANY DESIGN OR MANUFACTURE EXCEPT WHEN SUCH USER POSSESSES DIRECT, WRITTEN AUTHORIZATION FROM ROSEN AVIATION, LLC. THIS DRAWING MAY BE COVERED UNDER ONE OR MORE U.S. OR INTERNATIONAL PATENTS, PLEASE CONTACT ROSEN AVIATION FOR SPECIFIC INFORMATION.

**ROSEN
AVIATION**

1020 OWEN LOOP SOUTH
EUGENE, OREGON 97402
TEL: (541) 342-3802 FAX: (541) 342-4912

TITLE
**OUTLINE AND INSTALLATION DRAWING,
TABLET HOLDER, -015, POGO**

FIRST CALLED FOR: (FCF)

375-Tablet Arm

| APPROVALS | INITIAL | DATE |
|-----------|---------|----------|
| DRAWN BY | SC | 03/27/18 |
| CHECKER | MCS | 07/06/18 |
| ENGINEER | SC | 07/06/18 |

ACC100-015-CD

UNLESS OTHERWISE SPECIFIED DIMENSIONS ARE IN INCHES
X = ± .1
XX = ± .03
.XXX = ± .015
∠ = ± 5.0°
RADII ± .020
INTERPRET DIM AND TOL PER ASME Y14.5M - 1994

| SIZE | REV |
|------------|--------------|
| B | A |
| SCALE: 1:2 | SHEET 1 OF 2 |

1

2

3

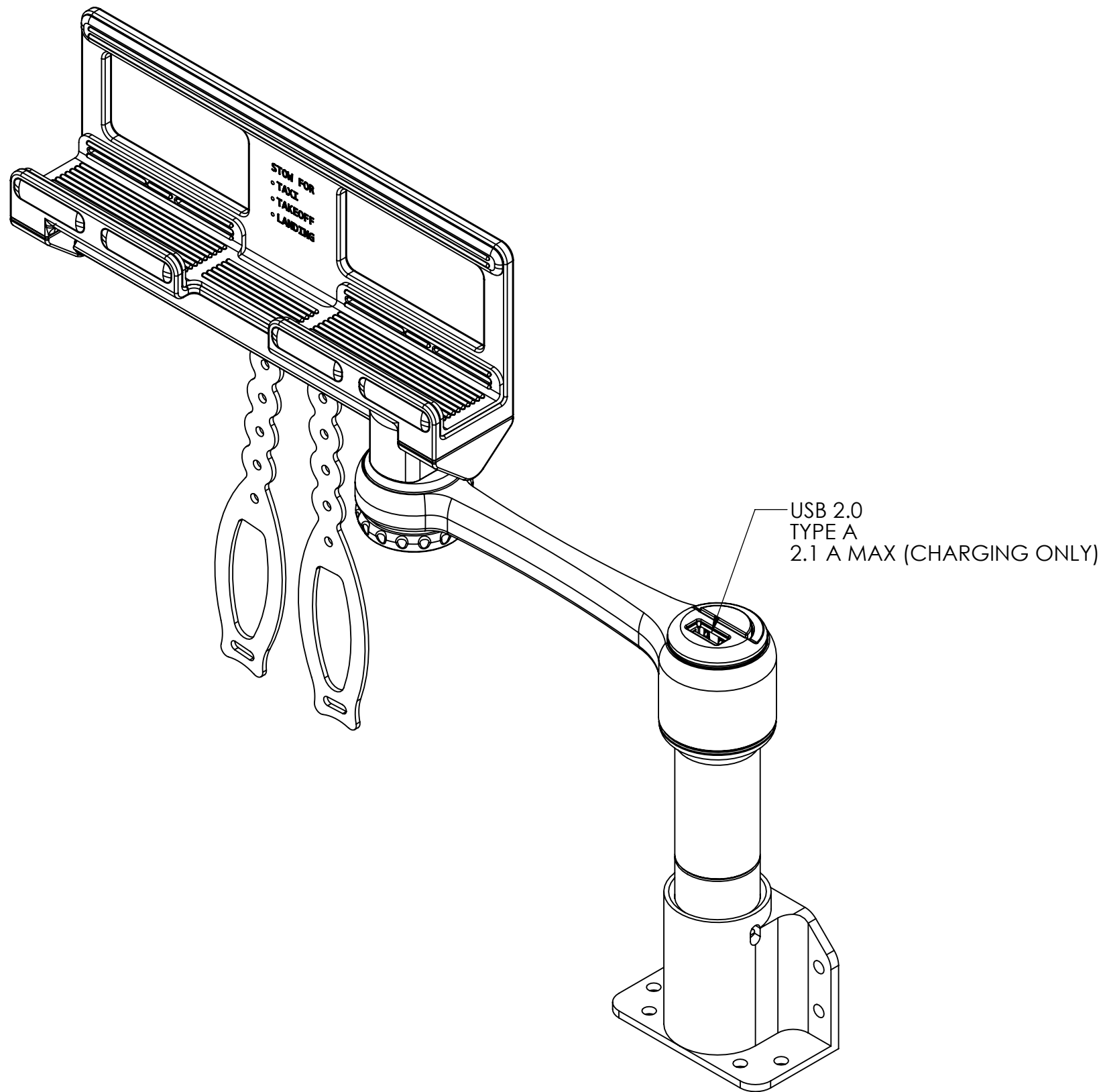
4

| Power Requirements | |
|---------------------------------|----------------|
| Operational Voltage Range | 10 - 32.2 V |
| Max Current at Nominal Voltage* | 0.4 A @ 28 VDC |
| Inrush Peak | 6.1 A |
| Inrush Duration | 1 ms |

*Current draw will increase as voltage decreases (constant power)

| Compatible Base Receptacles | | | |
|--------------------------------------|-------------|--|-------------|
| 9-Pin Dsub Connector | | 3-Pin Molex Connector | |
| Slimline Base Receptacle | | Slimline Base Receptacle | |
| Model 0100-041, 0100-042, 0100-043 | | Model 0100-040 | |
| Connector: 9 Pin Male D-Subminiature | | Connector: Male 3 Pin, .062" | |
| Positronic SD9M0000Z | | Molex 03-06-2033 | |
| Mate: 9 Pin Female D-Subminiature | | Mating Power Connector: Molex 03-06-1038 | |
| Positronic SD9F0000X | | Mating Power Contact: Molex 02-06-1103 | |
| Pin # | Description | Pin # | Description |
| 2 | +28V DC | 1 | +28V DC |
| 3 | DC Return | 2 | DC Return |
| 5 | Reserved | 3 | Reserved |

A



A

B

B

1

2

3

THE INFORMATION CONTAINED HEREIN IS PROPRIETARY TO ROSEN AVIATION, LLC. IT SHALL NOT BE REPRODUCED OR DISCLOSED IN WHOLE OR IN PART OR USED FOR ANY DESIGN OR MANUFACTURE EXCEPT WHEN SUCH USER POSSESSES DIRECT, WRITTEN AUTHORIZATION FROM ROSEN AVIATION, LLC. THIS DRAWING MAY BE COVERED UNDER ONE OR MORE U.S. OR INTERNATIONAL PATENTS, PLEASE CONTACT ROSEN AVIATION FOR SPECIFIC INFORMATION.

ROSEN
AVIATION

1020 OWEN LOOP SOUTH
EUGENE, OREGON 97402
TEL: (541) 342-3802 FAX: (541) 342-4912

| | | | |
|------------|---------------|-----|----|
| SIZE | ACC100-015-CD | REV | A. |
| B | | | |
| SCALE: 2:3 | SHEET 2 OF 2 | | |

4 © 2018 ROSEN AVIATION LLC