

A

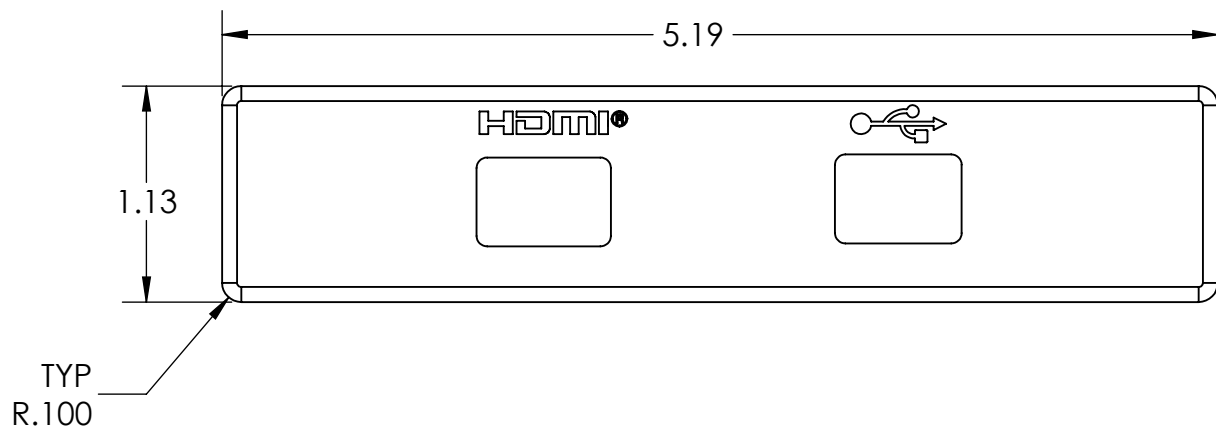
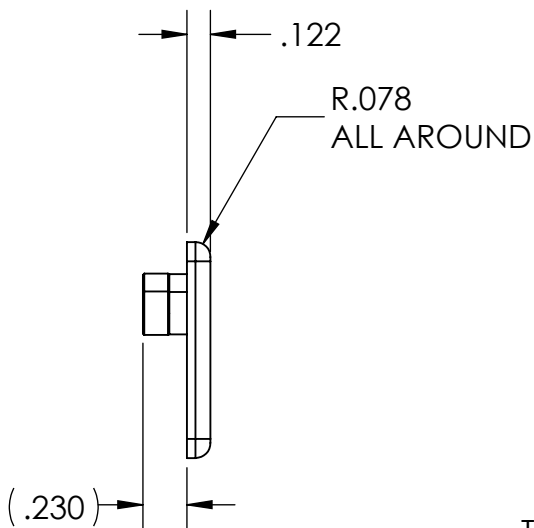
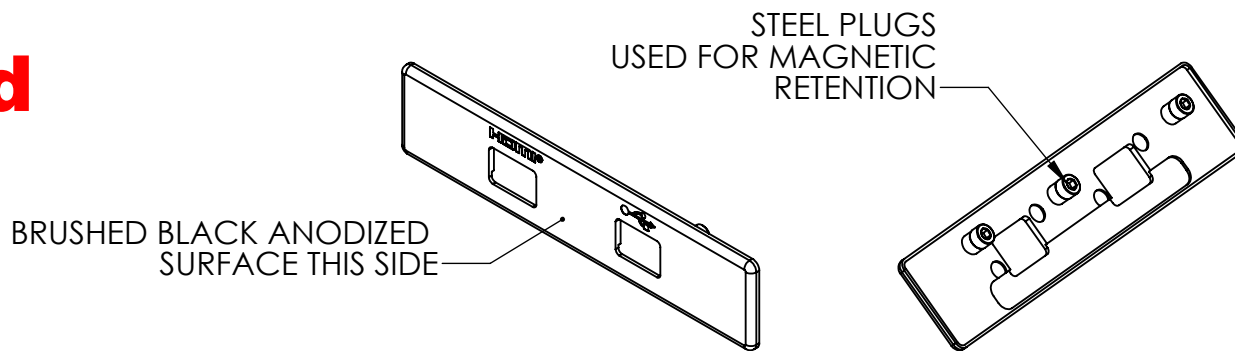
B

NOTES: (UNLESS OTHERWISE SPECIFIED)

1. ASSEMBLY WEIGHT: .05 LBS MAX
2. PROTECT COSMETIC SURFACES FROM DAMAGE

REVISIONS						
ZONE	REV	DESCRIPTION	DATE	BY	EC NO.	APRV
	A	ALPHA RELEASE	11/09/18	SC	18-0763	

# Electronic Revision Controlled



THE INFORMATION CONTAINED HEREIN IS PROPRIETARY TO ROSEN AVIATION, LLC. IT SHALL NOT BE REPRODUCED OR DISCLOSED IN WHOLE OR IN PART OR USED FOR ANY DESIGN OR MANUFACTURE EXCEPT WHEN SUCH USER POSSESSES DIRECT, WRITTEN AUTHORIZATION FROM ROSEN AVIATION, LLC. THIS DRAWING MAY BE COVERED UNDER ONE OR MORE U.S. OR INTERNATIONAL PATENTS. PLEASE CONTACT ROSEN AVIATION FOR SPECIFIC INFORMATION.

**Rosen AVIATION**  
 1020 OWEN LOOP SOUTH  
 EUGENE, OREGON 97402  
 TEL: (541) 342-3802 FAX: (541) 342-4912

APPROVALS	INITIAL	DATE
DRAWN BY	SC	11/07/18
CHECKER	BEF	11/12/18
ENGINEER	SC	11/12/18

UNLESS OTHERWISE SPECIFIED DIMENSIONS ARE IN INCHES  
 .X = ±.1  
 .XX = ±.02  
 .XXX = ±.005  
 ∠ = ± 1.0°  
 RADII ±.020  
 INTERPRET DIM AND TOL PER ASME Y14.5M - 1994

TITLE  
**OUTLINE AND INSTALLATION, MIP, BEZEL, HDMI/USB LOGOS**  
 FIRST CALLED FOR: (FCF)  
**359-MIP**

CUSTOMER PART NUMBER (CPN)		
<b>MIP100-903-CD</b>		
SIZE	MODEL	REV
<b>A</b>	MIP100-901	<b>A</b>
SCALE: 1:1		SHEET 1 OF 1

A

B © 2018 ROSEN AVIATION, LLC