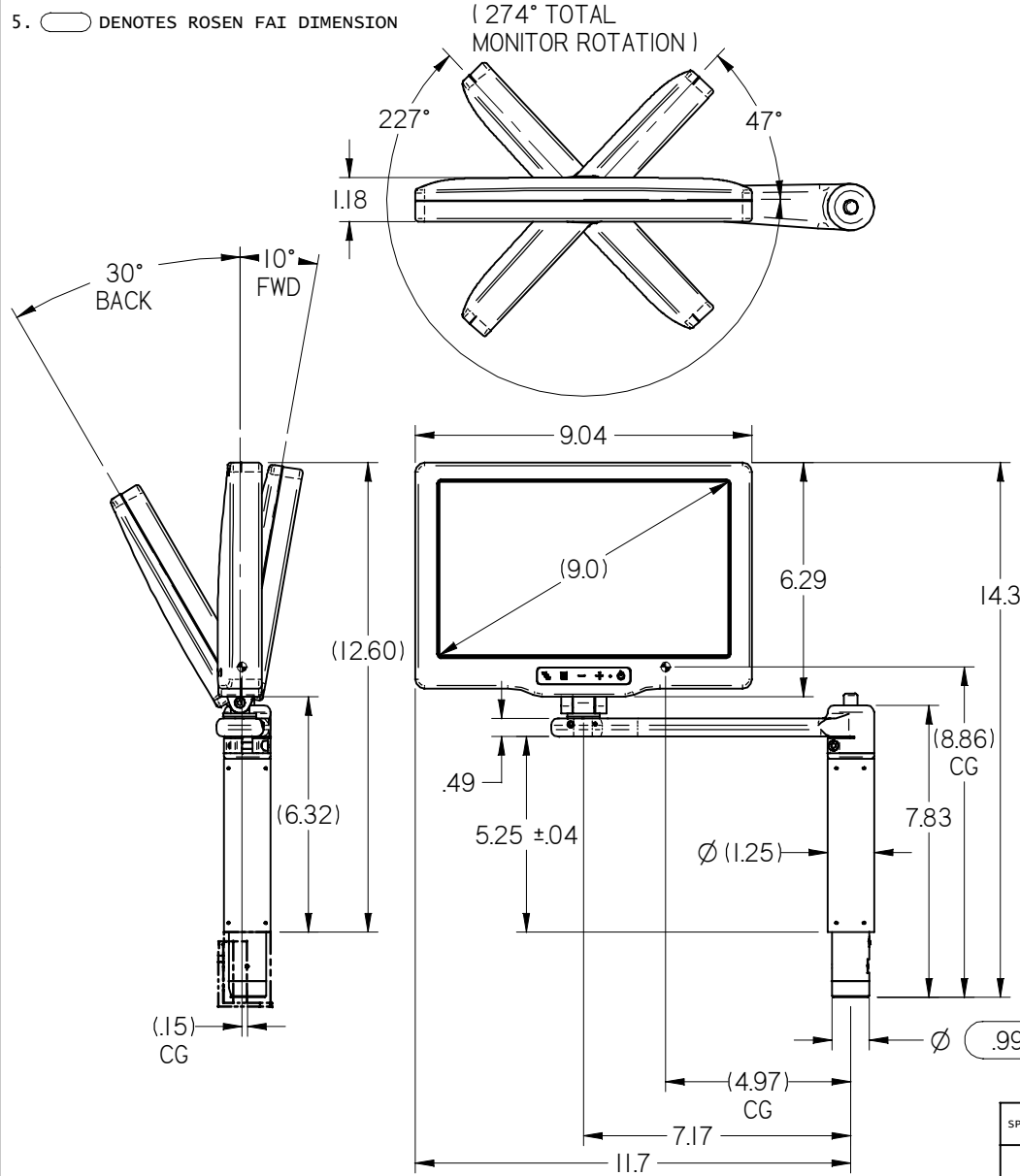


NOTES: (unless otherwise specified)

1. ALL MATERIALS AND INSTRUCTIONS LISTED ON BILL OF MATERIALS.
2. COMPONENT WEIGHT: 2.9 LBS ± 10%
3. WIRE HARNESSSES, LABELS, SHIPPING PACKAGING AND SOME MINOR PARTS OMITTED FROM DRAWING VIEW FOR CLARITY
4. BASE SOLD SEPARATELY

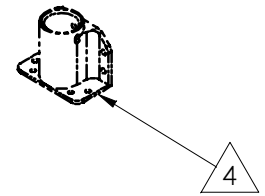
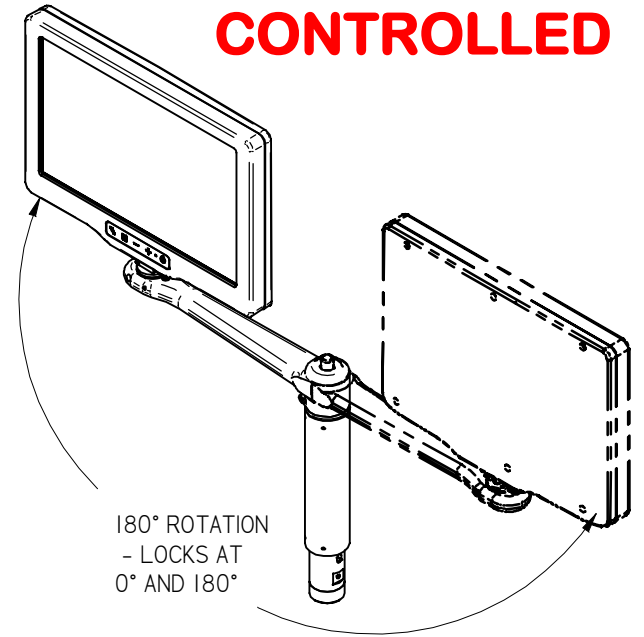
5.  DENOTES ROSEN FAI DIMENSION

(274° TOTAL MONITOR ROTATION)



2 REVISIONS						
ZONE	REV	DESCRIPTION	DATE	BY	CHG NO	APRV
pg2	2.0	CHG LCD PERFORMANCE SPEC TO HI-RES	03/19/12	GJH		JC
	A	INITIAL DRAWING RELEASE	06/11/12	DE	12-0328	
	B	ADD COMPOSITE NOTE DEL SDI NOTE	06/18/12	DE	12-0347	BEF
pg2	C	CHG INRUSH CURRENT INFORMATION	09/11/12	GJH	12-0522	BEF

ELECTRONIC REVISION CONTROLLED



UNLESS OTHERWISE SPECIFIED DIMENSIONS ARE IN INCHES
 .X = ± .1
 .XX = ± .03
 R = ± 5.0°
 RADII ± .020
 INTERPRET DIM AND TOL PER ASME Y14.5M - 1994

THE INFORMATION CONTAINED HEREIN IS PROPRIETARY TO ROSEN AVIATION, LLC. IT SHALL NOT BE REPRODUCED OR DISCLOSED IN WHOLE OR IN PART OR USED FOR ANY DESIGN OR MANUFACTURE EXCEPT WHEN SUCH USER POSSESSES DIRECT, WRITTEN AUTHORIZATION FROM ROSEN AVIATION. THIS DRAWING MAY BE COVERED UNDER ONE OR MORE U.S. OR INTERNATIONAL PATENTS, PLEASE CONTACT ROSEN AVIATION FOR SPECIFIC INFORMATION.

ROSEN AVIATION 1020 OWEN LOOP SOUTH EUGENE, OREGON 97402 TEL: (541) 342-3802 FAX: (541) 342-4912	APPROVALS	INITIAL	DATE
	DRAWN BY	GJH	02/02/12
	CHECKER	BEF	06/07/12
TITLE	ENGINEER	MCS	6/8/12
OUTLINE & INSTALLATION DRAWING, 9", PCR POGO, LOCKING ARM			
DWG NO 9000-037-CD			
FIRST CALLED FOR: (FCF)	SIZE	A	REV C
9000-	SCALE	1:5	SHEET 1 OF 2

PERFORMANCE SPECIFICATIONS (Reference)

LCD Performance	
Screen Resolution (pixels)	1280 x 768
Video Standards Supported	COMPOSITE: NTSC, PAL, SECAM
Display Viewing Area (mm)	195.8 X 118
Horizontal Viewing Angle	-85° to 85°
Vertical Viewing Angle	-85° to 85°
Contrast Ratio (Typical)	650:1
Screen Brightness (Typical)	400 cd/m ²

Power Requirements	
Nominal Voltage/Current	28VDC / 0.53 A
Inrush Current	5.2 A for 1.0 ms
Op Voltage/Current Range	18 VDC/0.88 A - 32VDC/0.45 A
Maximum Current Draw	.88 A
Power Consumption	16 W Max

Environmental Specifications	
Operating Temperature	0°C - 50°C
Altitude	15,000ft
Humidity	95%RH
Vibration	1.48 grms
Power Input	DO-160F Cat Z(A)
Radio Frequency Susceptibility	DO-160F Cat T
Emission of RF Energy	DO-160F Cat M

Base Receptacle Pinout - DB9

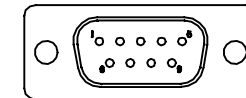
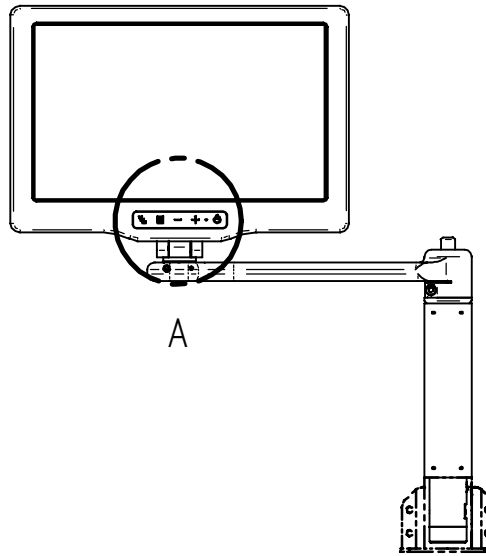
SlimLine Base Receptacle	
Model 0100-041, 0100-042, 0100-043	
Connector: 9 Pin Male D-Subminiature Positronic SD9M0000Z	
Mate: 9 Pin Female D-Subminiature Positronic SD9F0000X	

Pin #	Monitor signal
1	Reserved
2	+28V DC
3	DC Return
4	Select Switch
5	Select Switch Return
6	Reserved
7	Video Signal Input
8	Video Ground
9	Reserved

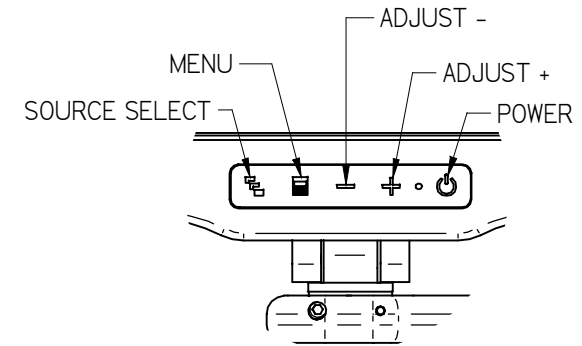
BNC/Molex Pinout

Slimline Base Receptacle	
Model 0100-040	
Video Connector: BNC Jack, AMP 5221199-5	
Power Connector: Male 3 pin, .062" Molex	
Mating Video Connector: BNC Plug	
Mating Power Connector: Molex 03-06-1038	
Mating Power Contact: Molex 02-06-1103	

Pin #	Monitor signal
BNC signal	Video Signal
BNC shield	Video Return
Molex 1	+28V DC
Molex 2	DC Return
Molex 3	Reserved



9-Pin Male D-Sub



DETAIL A

THE INFORMATION CONTAINED HEREIN IS PROPRIETARY TO ROSEN AVIATION, LLC. IT SHALL NOT BE REPRODUCED OR DISCLOSED IN WHOLE OR IN PART OR USED FOR ANY DESIGN OR MANUFACTURE EXCEPT WHEN SUCH USER POSSESSES DIRECT, WRITTEN AUTHORIZATION FROM ROSEN AVIATION, LLC. THIS DRAWING MAY BE COVERED UNDER ONE OR MORE U.S. OR INTERNATIONAL PATENTS, PLEASE CONTACT ROSEN AVIATION FOR SPECIFIC INFORMATION.

ROSEN AVIATION	1020 OWEN LOOP SOUTH EUGENE, OREGON 97402 TEL: (541) 342-3802 FAX: (541) 342-4912	SIZE	DWG NO	REV
		A	9000-037-CD	C
		SCALE	NONE	SHEET 2 OF 2