

A

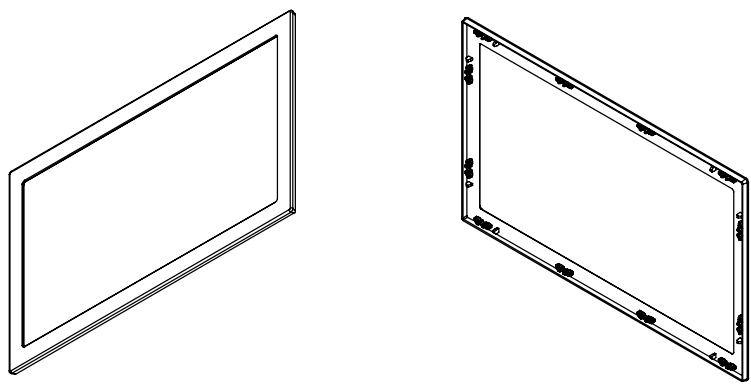
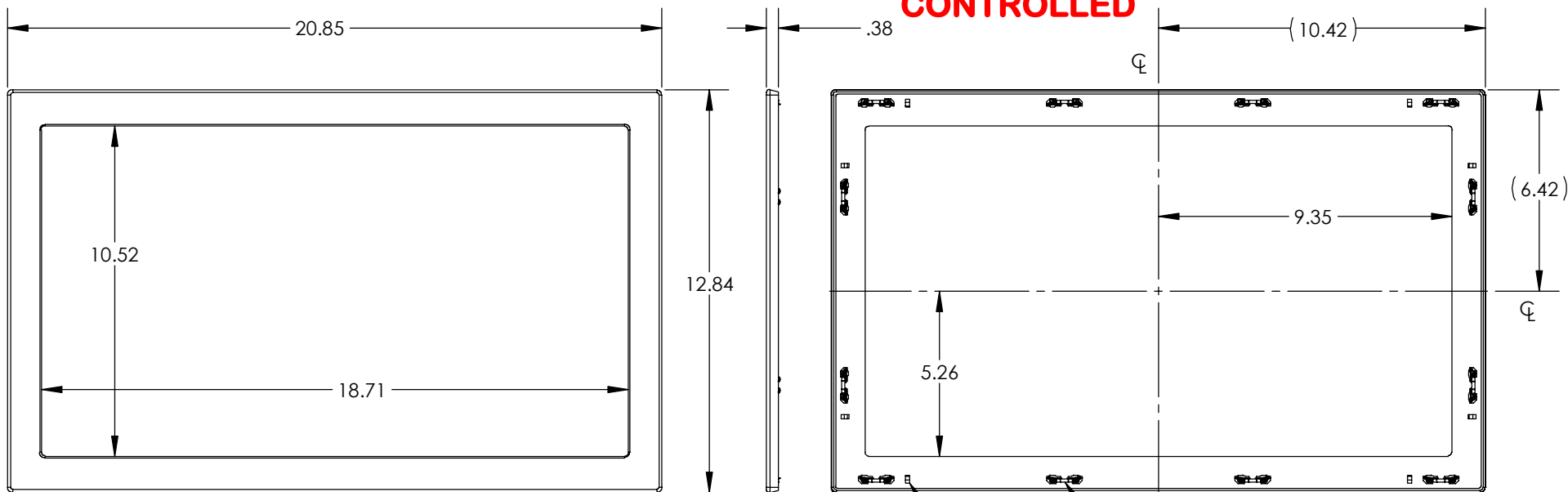
B

NOTES: (UNLESS OTHERWISE SPECIFIED)

1. ASSEMBLY WEIGHT: 0.77 LBS ±10%
2. SOME MINOR PARTS, LABELS, HARNESSES AND INSTRUCTIONS OMITTED FOR CLARITY
3. REFER TO 22IN RDM SYSTEM DRAWING 2201-500 FOR ADDITIONAL INSTALLATION REFERENCE

REVISIONS						
ZONE	REV	DESCRIPTION	DATE	BY	EC NO.	APRV
	1.0	INITIAL PILOT RELEASE	11/6/12	MCS	NEC12-057	
	A	RELEASE TO ALPHA	01/21/13	DE	13-0021	

**ELECTRONIC REVISION CONTROLLED**



THE INFORMATION CONTAINED HEREIN IS PROPRIETARY TO ROSEN AVIATION, LLC. IT SHALL NOT BE REPRODUCED OR DISCLOSED IN WHOLE OR IN PART OR USED FOR ANY DESIGN OR MANUFACTURE EXCEPT WHEN SUCH USER POSSESSES DIRECT, WRITTEN AUTHORIZATION FROM ROSEN AVIATION, LLC. THIS DRAWING MAY BE COVERED UNDER ONE OR MORE U.S. OR INTERNATIONAL PATENTS. PLEASE CONTACT ROSEN AVIATION FOR SPECIFIC INFORMATION.

**ROSEN AVIATION**  
 1020 OWEN LOOP SOUTH  
 EUGENE, OREGON 97402  
 TEL: (541) 342-3802 FAX: (541) 342-4912

APPROVALS	INITIAL	DATE
DRAWN BY	MCS	11/5/12
CHECKER	DE	01/14/13
ENGINEER	MCS	01/21/13

UNLESS OTHERWISE SPECIFIED DIMENSIONS ARE IN INCHES  
 .X = ±.1  
 .XX = ±.03  
 ∠ = ± 5.0°  
 RADII ±.020  
 INTERPRET DIM AND TOL PER ASME Y14.5M - 1994

TITLE  
**OUTLINE AND INSTALLATION, BEZEL, 22", RAW**  
 FIRST CALLED FOR: (FCF)  
**22in RDM - 296**

<b>2201-900-CD</b>		
SIZE		REV
<b>A</b>		<b>A</b>
SCALE: 1:5	SHEET 1 OF 1	

A

B © 2013 ROSEN AVIATION LLC