

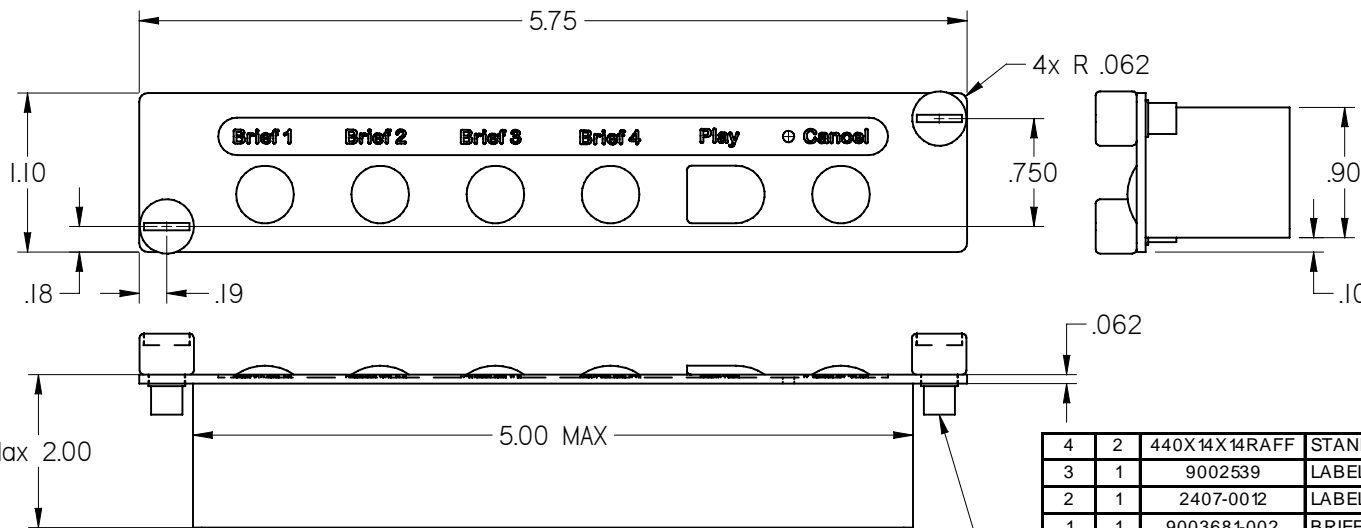
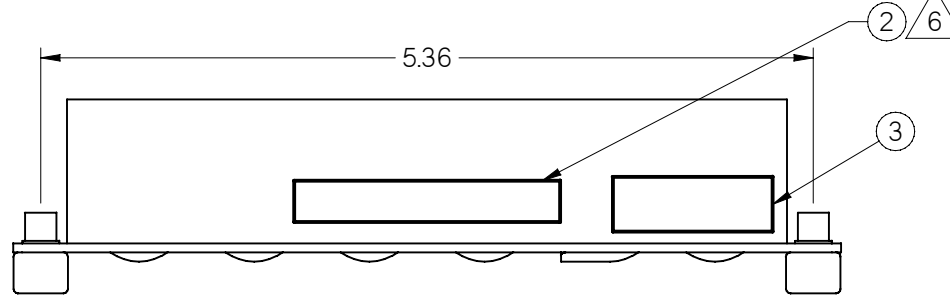
NOTES: (unless otherwise specified)

1. ASSEMBLY WEIGHT: .25 LBS ±5%
2. HARNESS LENGTH: 24in MIN
3. OBSERVE ESD SAFE HANDLING PRACTICES
4. ALL SWITCHES ARE NORMALLY OPEN/MOMENTARY GROUND
5. ALL SWITCHES AND LEDS CAN USE COMMON GROUND WIRE
6. IDENTIFY WITH PART NUMBER, REVISION AND LOT NUMBER/SERIAL NUMBER
7. MATING CONNECTOR KIT 0300-022 AVAILABLE (NOT INCLUDED)
8. ASSEMBLE AND INSPECT PER ROSEN DOCUMENT 101727

2

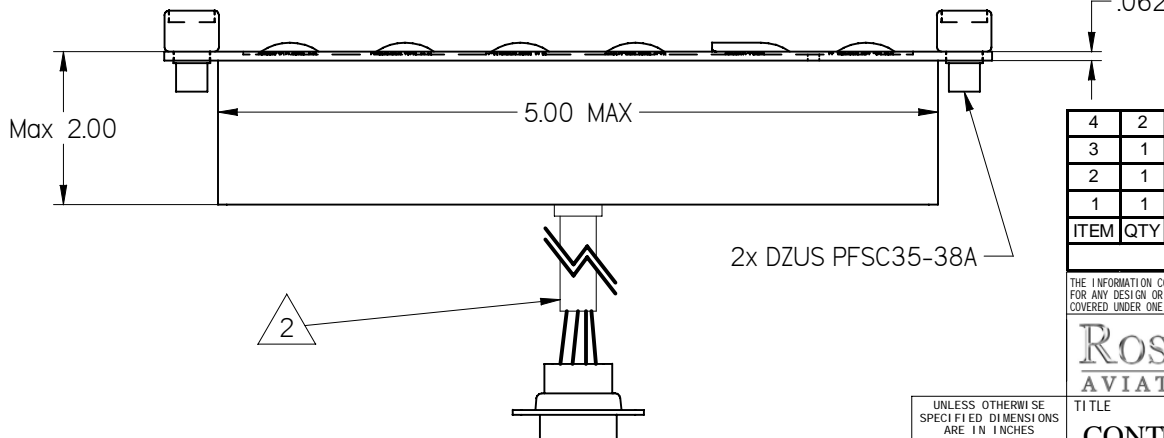
REVISIONS						
ZONE	REV	DESCRIPTION	DATE	BY	CHG NO	APRV
-	A	INITIAL DRAWING RELEASE	11/08/05	GJH	EC05002	-
-	B	CHANGE NAME TO ROSEVIEW	12/20/05	GJH	EC05054	SDS
B1	C	CHANGE NOTE 2 FROM 25in ±2in	03/21/06	GJH	EC06074	SDS
B2	D	ADD PMA LABEL AS INDICATED	06/17/07	GJH	EC07234	DRF
	F	ADD ITEM 4, STANDOFFS	12/28/07	GJH	EC07526	SF
A1	G	ADD NOTE 8	03/27/08	GJH	EC08117	SF

**ELECTRONIC REVISION
CONTROLLED**



DB-9 CONNECTOR, MALE (SHOWN),
w/BACKSHELL AND MALE
SCREWLOCK (NOT SHOWN)

PINOUT	
PIN	DESCRIPTION
1	N/C
2	COMMON
3	LED IN (INPUT SIGNAL TO BE 2VDC @ 15mA)
4	BRIEF 1
5	BRIEF 2
6	BRIEF 3
7	BRIEF 4
8	PLAY
9	CANCEL



ITEM	QTY	PART NUMBER	DESCRIPTION	NOTE
4	2	440X14X14RAFF	STANDOFF, F/F AL	-
3	1	9002539	LABEL, PMA	-
2	1	2407-0012	LABEL MATERIAL, 2.12-.37	-
1	1	9003681-002	BRIEFING CONTROLLER, GRAY	-

BILL OF MATERIALS

THE INFORMATION CONTAINED HEREIN IS PROPRIETARY TO ROSEN AVIATION, LLC. IT SHALL NOT BE REPRODUCED OR DISCLOSED IN WHOLE OR IN PART OR USED FOR ANY DESIGN OR MANUFACTURE EXCEPT WHEN SUCH USER POSSESSES DIRECT, WRITTEN AUTHORIZATION FROM ROSEN AVIATION. THIS DRAWING MAY BE COVERED UNDER ONE OR MORE U.S. OR INTERNATIONAL PATENTS. PLEASE CONTACT ROSEN AVIATION FOR SPECIFIC INFORMATION.

		1020 OWEN LOOP SOUTH EUGENE, OREGON 97402 TEL: (541) 342-3802 FAX: (541) 342-4912	APPROVALS INITIAL DATE DRAWN BY SDS 10/31/05 CHECKER JW 11/10/05 ENGINEER SDS 11/10/05
TITLE CONTROLLER, GRAY, ASSEMBLY			DWG NO 0300-411
FIRST CALLED FOR: (FCF) ROSEVIEW, BRIEFING			SIZE A G SCALE 3:4 SHEET 1 OF 1

UNLESS OTHERWISE SPECIFIED DIMENSIONS ARE IN INCHES
 .XX = ± .050
 .XXX = ± .030
 = ± 1.0°
 RADIUS ± .020
 INTERPRET DIM AND TOL PER ASME Y14.5M - 1994

1

2