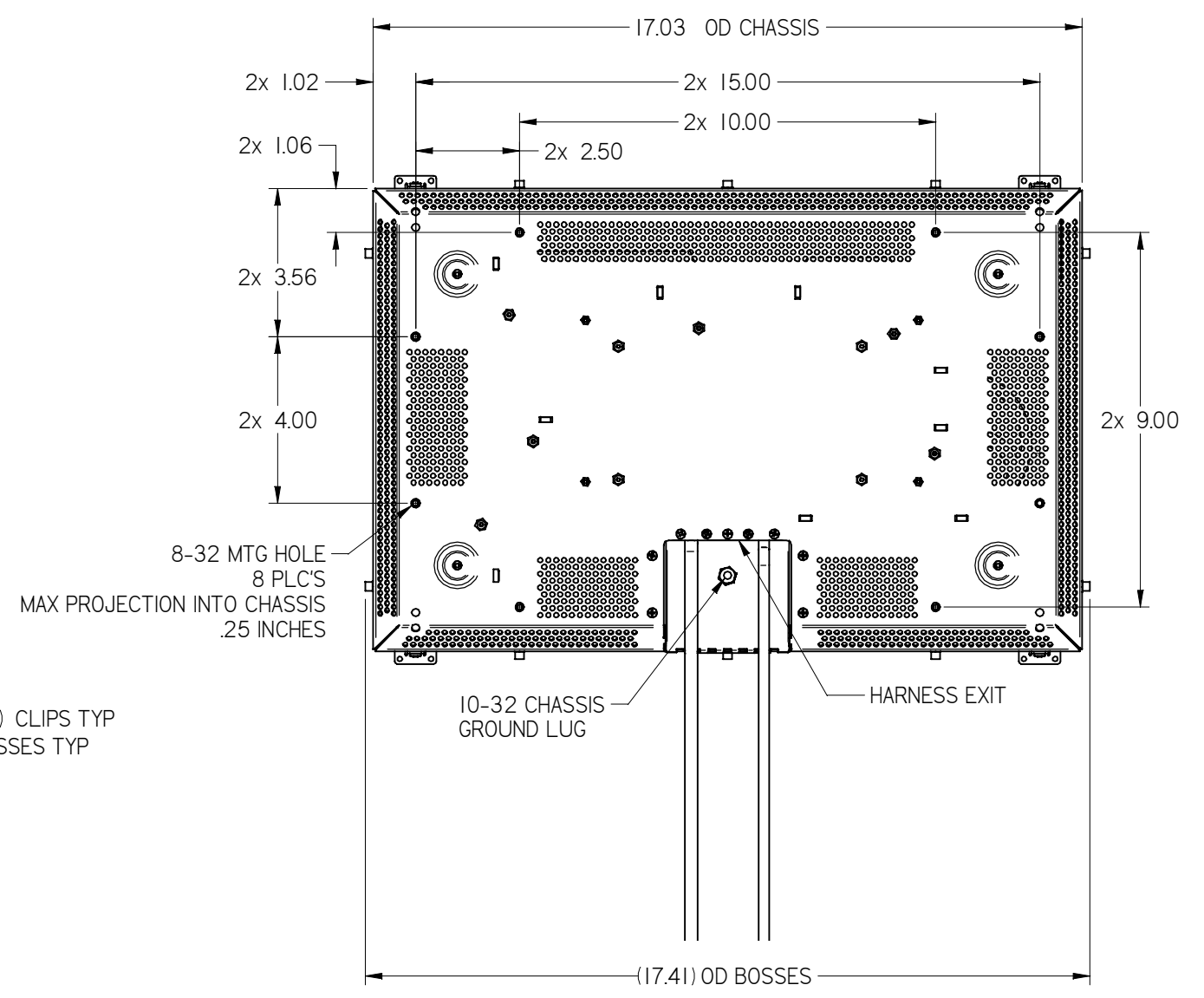
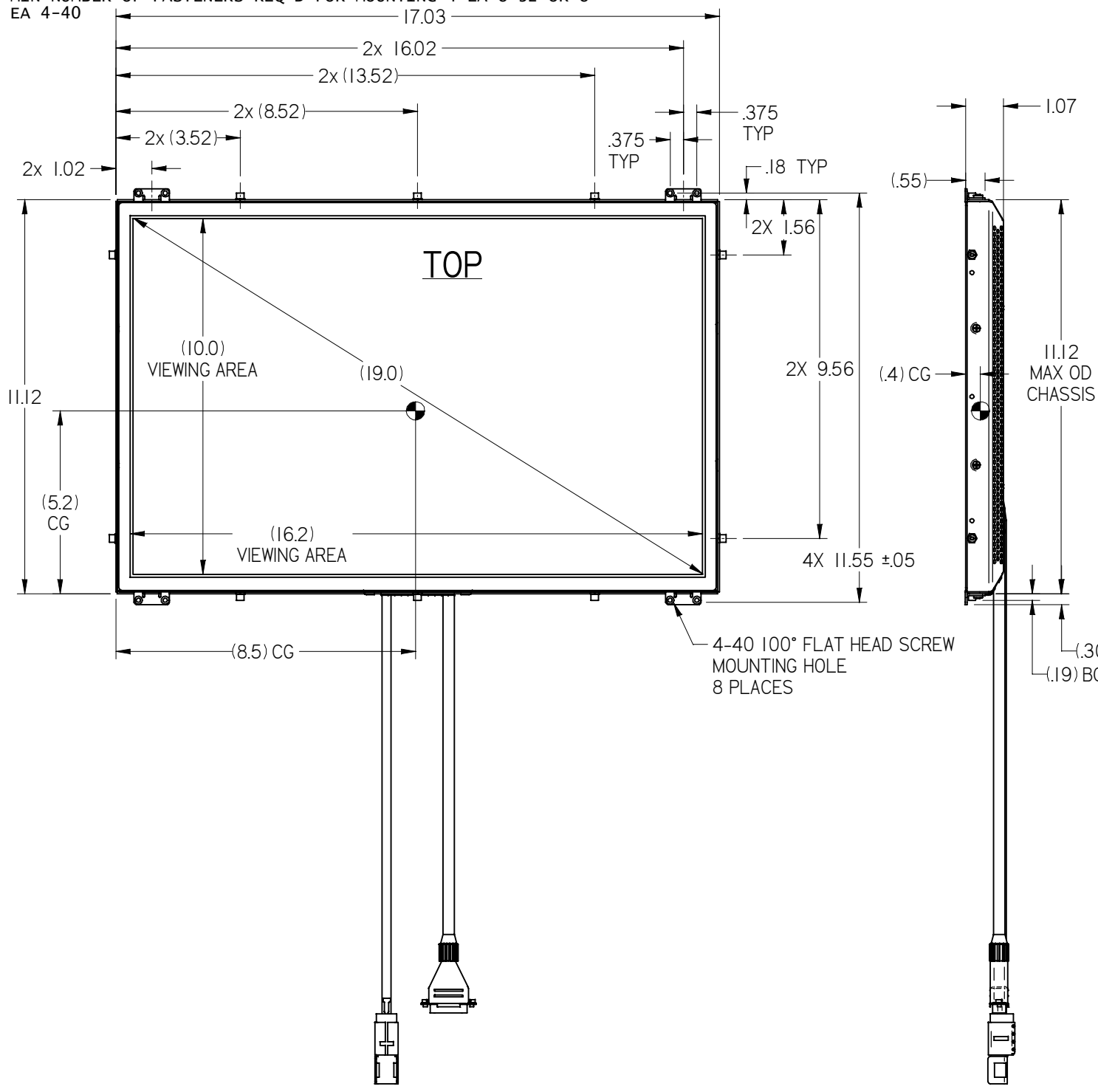


ELECTRONIC REVISION CONTROLLED

REVISIONS						
ZONE	REV	DESCRIPTION	DATE	BY	CHG NO	APRV
	A	INITIAL DRAWING RELEASE	08/05/11	DE	EC11463	
PG3	B	UPD INTERCONNECT CABLE RECOMMENDATION	03/06/12	DE	12-0132	BEF
	C	ADD CLEARANCE REQ'D UPD INTERCONNECT INFO	04/09/12	DE	12-0216	BEF
	D	ADD INTERCONNECT CABLE REF, DEL SHEET 3	07/11/12	DE	12-0402	BEF
PG2	F	CORRECT CONNECTOR CALLOUT P4 WAS MALE IS FEMALE	02/26/14	DE	14-0053	BEF

- NOTES: (UNLESS OTHERWISE SPECIFIED)**
1. ASSEMBLY WEIGHT: 7.1 LBS. ±10%
 2. HARNESS LENGTH: SEE SHEET 2
 3. OBSERVE ESD SAFE HANDLING PRACTICES
 4. SOME MINOR PARTS, LABELS, HARNESSES AND INSTRUCTIONS OMITTED FOR CLARITY
 5. CONNECTOR KITS NOT INCLUDED
 6. CLEARANCE REQUIREMENTS:
1/2" TO TOP & BOTTOM VENT HOLES OR 1/2" TO BACK OF UNIT
 7. MIN NUMBER OF FASTENERS REQ'D FOR MOUNTING 4 EA 8-32 OR 8 EA 4-40



THE INFORMATION CONTAINED HEREIN IS PROPRIETARY TO ROSEN AVIATION, LLC. IT SHALL NOT BE REPRODUCED OR DISCLOSED IN WHOLE OR IN PART OR USED FOR ANY DESIGN OR MANUFACTURE EXCEPT WHEN SUCH USER POSSESSES DIRECT, WRITTEN AUTHORIZATION FROM ROSEN AVIATION, LLC. THIS DRAWING MAY BE COVERED UNDER ONE OR MORE U.S. OR INTERNATIONAL PATENTS, PLEASE CONTACT ROSEN AVIATION FOR SPECIFIC INFORMATION.

	1020 OWEN LOOP SOUTH EUGENE, OREGON 97402 TEL: (541) 342-3802 FAX: (541) 342-4912		APPROVALS	INITIAL	DATE
			DRAWN BY	BEF	06-15-11
		CHECKER	MCS	07/22/11	
		ENGINEER	BEF	08/04/11	
		DWG NO		1901-100-CD	
		SIZE		B	
		SCALE		1:4	
		SHEET		1 of 2	

UNLESS OTHERWISE SPECIFIED DIMENSIONS ARE IN INCHES

.X = ± .1
 .XX = ± .03
 .XXX = ± .010
 ∅ = ± 5.0°
 RADIUS = ± .020
 INTERPRET DIM AND TOL PER ASME Y14.5M - 1994

PERFORMANCE SPECIFICATIONS (REF)

LCD Performance *	
Screen Resolution (pixels)	1440x900
Display Viewing Area (mm)	408 x 255
Horizontal Viewing Angle	±80°
* Vertical Viewing Angle	±80°
Contrast Ratio (Typical)	1000:1
Screen Brightness (Typical)	300 cd/m ² typ

Power Requirements**	
Power Consumption	23 W MAX

Environmental Specifications	
Operating Temperature	0°C - 50°C
Altitude	15,000ft
Humidity	95%RH
Vibration	1.48 grms
Power Input	DO-160F Cat Z(A)
Radio Frequency Susceptibility	DO-160F Cat T
Emission of RF Energy	DO-160F Cat M

* LCD Manufacturer Spec

** See 0700-104-CD drawing for additional power information

Connector Plug Pinout - 15 Position (P3)

Connector: 15 Pin Male, Tyco 205206-3
Mate: 15 Pin Female Tyco 205205-2 Contact: 66504-3 Connector Kit: 0300-053

Pin #	Monitor signal
1	Reserved
2	Reserved
3	Reserved
4	Reserved
5	PWR_POS
6	Reserved
7	Ground
8	RS232_RX
9	Reserved
10	Reserved
11	Reserved
12	Reserved
13	PWR_NEG
14	Reserved
15	RS232_TX

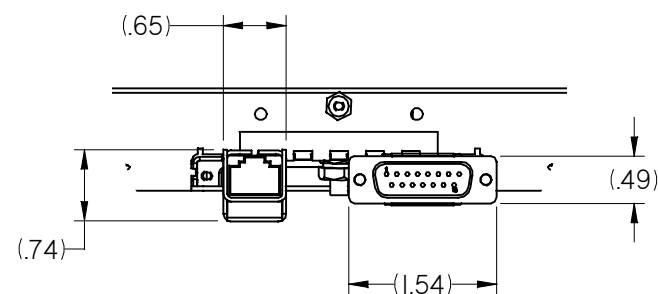
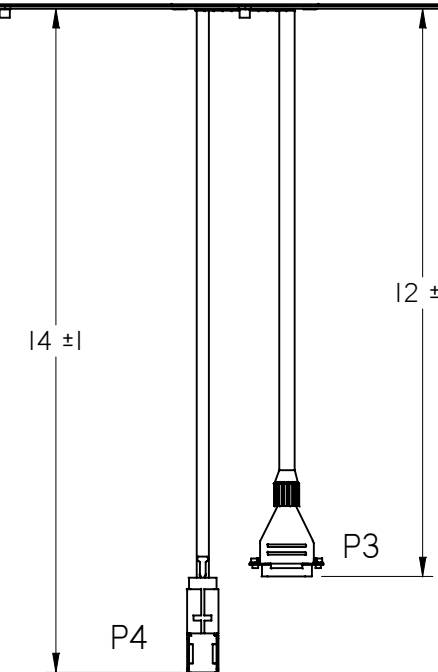
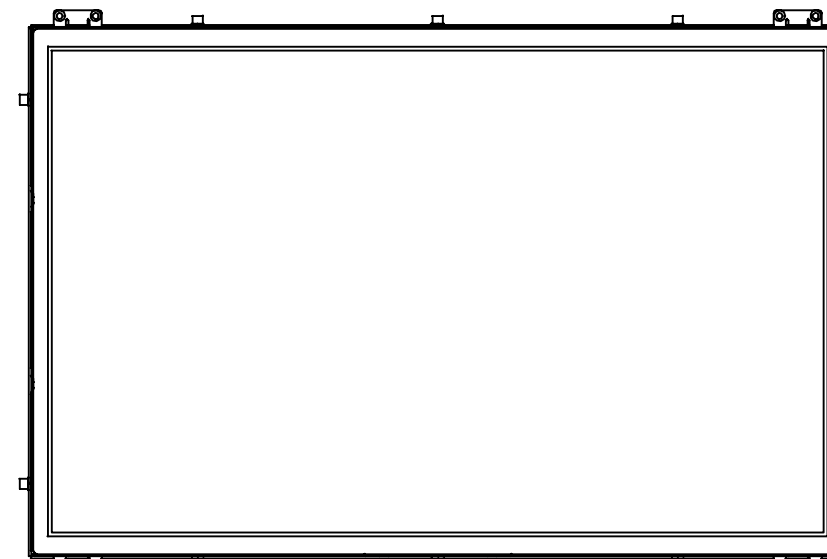
FOR INTERCONNECT CABLE
RECOMMENDATIONS SEE ROSEN
DOCUMENT: 105821

Female RJ-45 (P4)

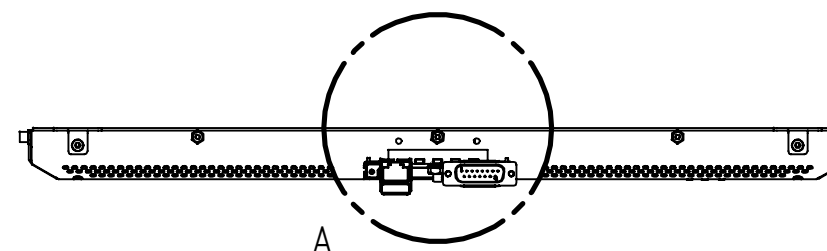
Mates with male RJ-45
Connector Kit 0300-050

Pin #	Monitor signal
1	CAT6_+12V
2	Ground
3	CAT6_HTPDN
4	CAT6_TX0_N
5	CAT6_TX0_P
6	CAT6_LOCKN
7	CAT6_TX1_N
8	CAT6_TX1_P
Shell	Ground

FOR INTERCONNECT CABLE
RECOMMENDATIONS SEE ROSEN
DOCUMENT: 105821



DETAIL A
CONNECTOR DIMENSIONS



THE INFORMATION CONTAINED HEREIN IS PROPRIETARY TO ROSEN AVIATION, LLC. IT SHALL NOT BE REPRODUCED OR DISCLOSED IN WHOLE OR IN PART OR USED FOR ANY DESIGN OR MANUFACTURE EXCEPT WHEN SUCH USER POSSESSES DIRECT, WRITTEN AUTHORIZATION FROM ROSEN AVIATION, LLC. THIS DRAWING MAY BE COVERED UNDER ONE OR MORE U.S. OR INTERNATIONAL PATENTS. PLEASE CONTACT ROSEN AVIATION FOR SPECIFIC INFORMATION.

	1020 OWEN LOOP SOUTH EUGENE, OREGON 97402 TEL: (541) 342-3802 FAX: (541) 342-4912	SIZE DWG NO B 1901-100-CD	REV F
	SCALE NONE SHEET 2 of 2		