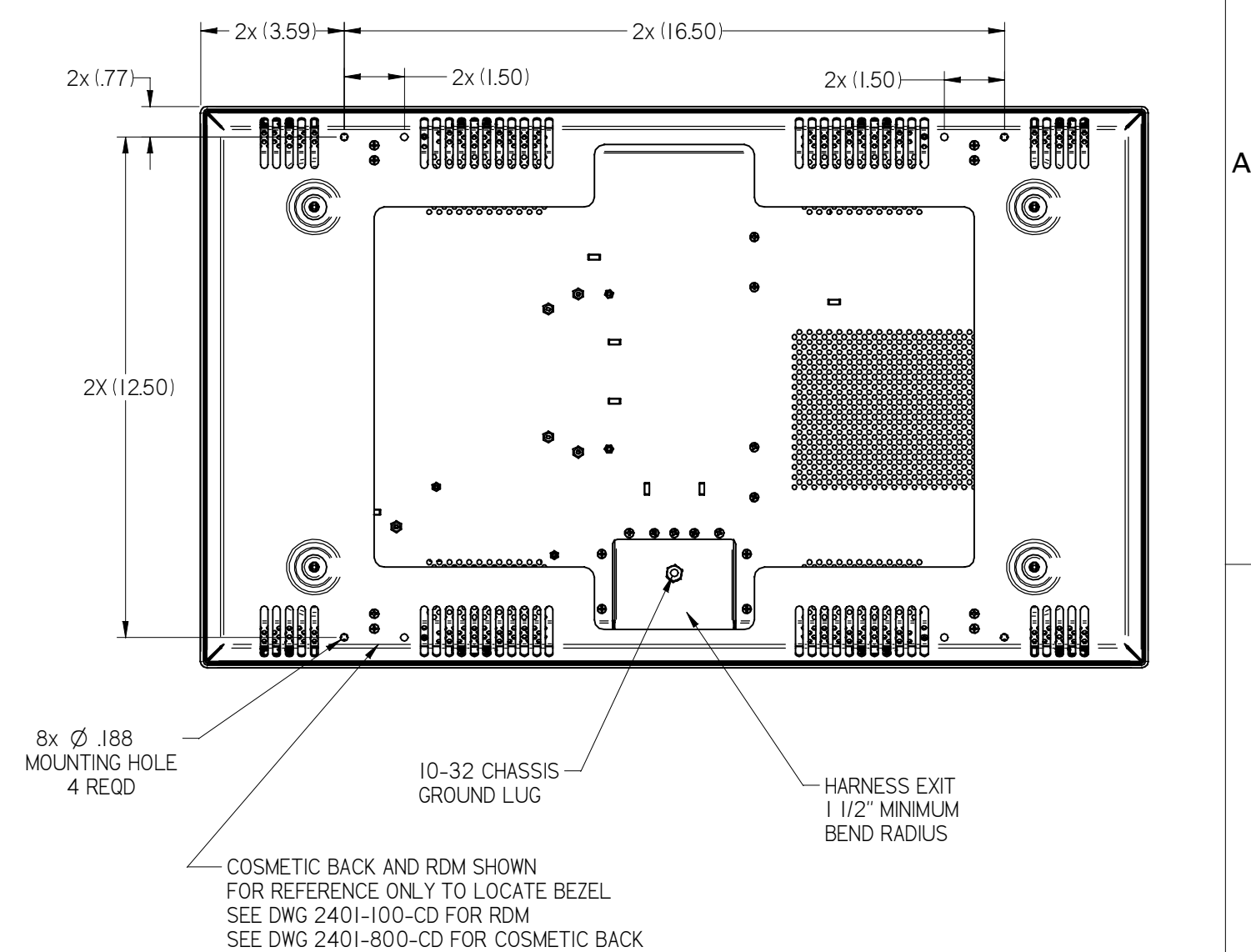
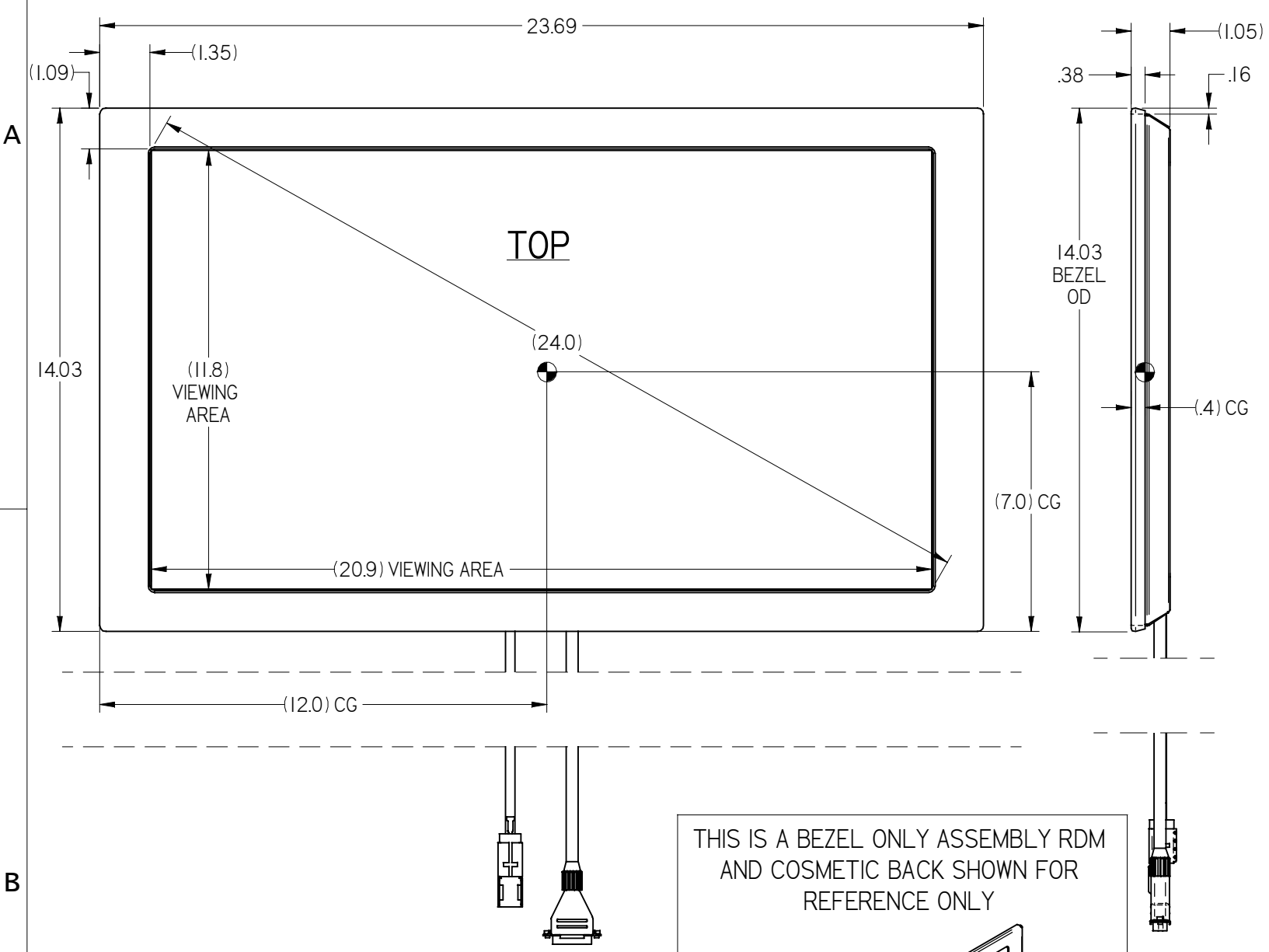


NOTES: (UNLESS OTHERWISE SPECIFIED)
 1. BEZEL WEIGHT: 1.5 LBS. MAX
 2. SOME MINOR PARTS, LABELS, HARNESSES AND INSTRUCTIONS OMITTED FOR CLARITY

REVISIONS					
ZONE	REV	DESCRIPTION	DATE	BY	CHG NO
	A	INITIAL DRAWING RELEASE	08/05/11	DE	EC11463

**ELECTRONIC REVISION
 CONTROLLED**



THIS IS A BEZEL ONLY ASSEMBLY RDM
 AND COSMETIC BACK SHOWN FOR
 REFERENCE ONLY

THE INFORMATION CONTAINED HEREIN IS PROPRIETARY TO ROSEN AVIATION, LLC. IT SHALL NOT BE REPRODUCED OR DISCLOSED IN WHOLE OR IN PART OR USED FOR ANY DESIGN OR MANUFACTURE EXCEPT WHEN SUCH USER POSSESSES DIRECT, WRITTEN AUTHORIZATION FROM ROSEN AVIATION, LLC. THIS DRAWING MAY BE COVERED UNDER ONE OR MORE U.S. OR INTERNATIONAL PATENTS, PLEASE CONTACT ROSEN AVIATION FOR SPECIFIC INFORMATION.

ROSEN AVIATION		1020 OWEN LOOP SOUTH EUGENE, OREGON 97402 TEL: (541) 342-3802 FAX: (541) 342-4912		APPROVALS	INITIAL	DATE
TITLE OUTLINE & INSTALLATION DRAWING, 24" BEZEL, 900 STYLING				DRAWN BY	BEF	06-15-11
FIRST CALLED FOR: (FCF) 24 RDM, 2401				CHECKER	MCS	07/22/11
				ENGINEER	BEF	08/04/11
				DWG NO 2401-900-CD		
				SIZE		REV
				B		A
				SCALE	1:4	SHEET 1 of 2

UNLESS OTHERWISE SPECIFIED DIMENSIONS ARE IN INCHES
 .X = ± .1
 .XX = ± .03
 R = ± 5.0°
 RADIUS = ± .020
 INTERPRET DIM AND TOL PER
 ASME Y14.5M - 1994

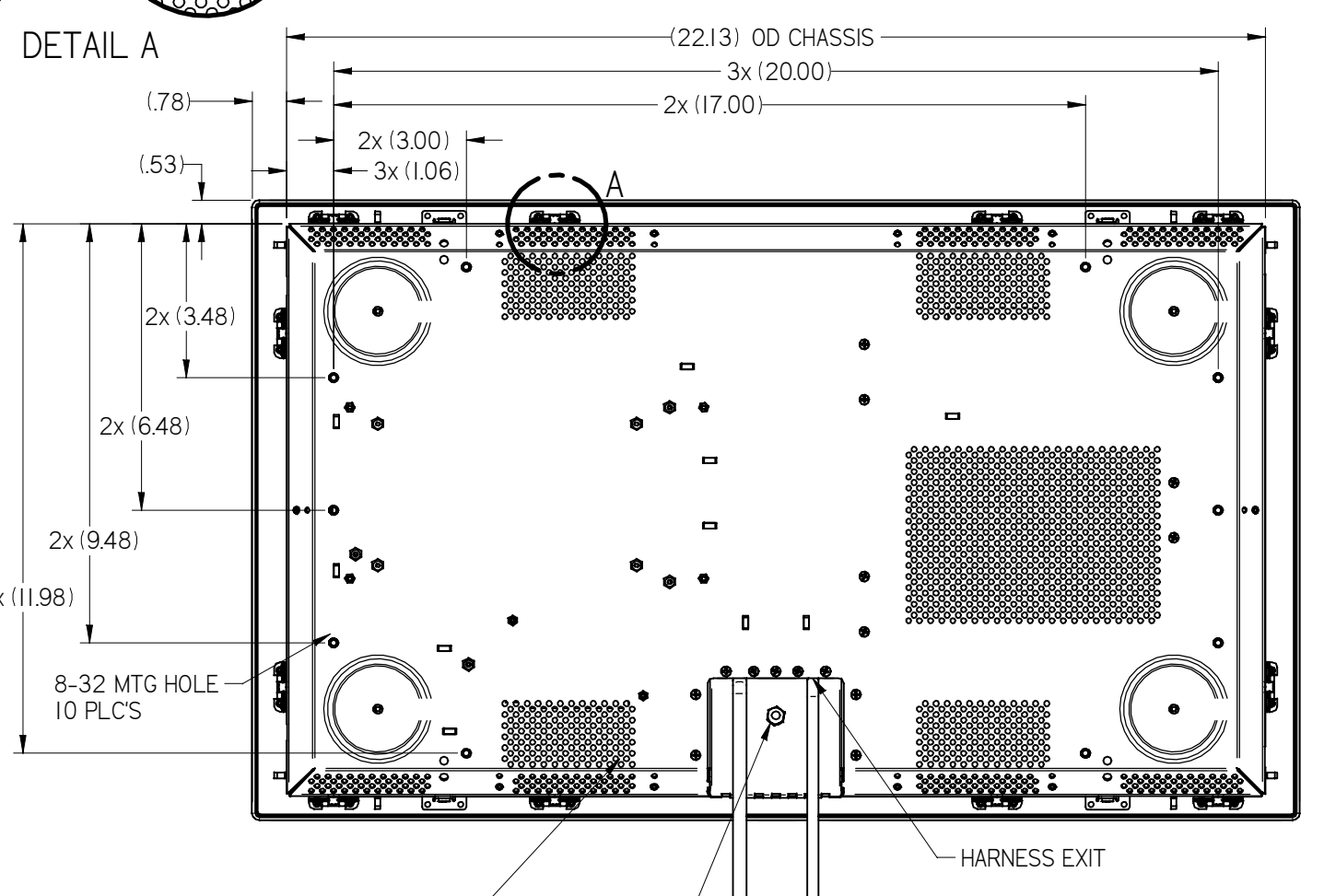
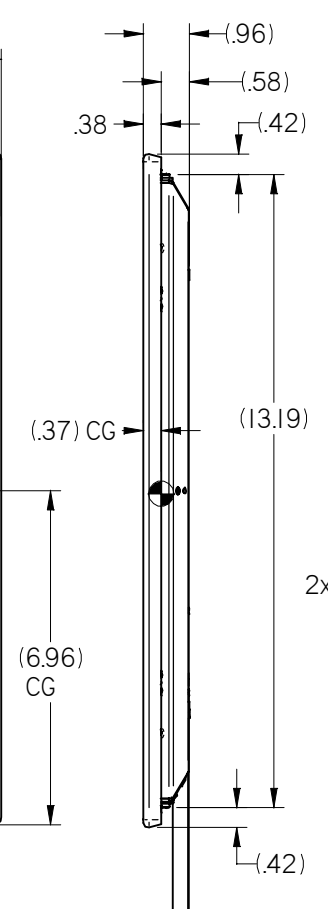
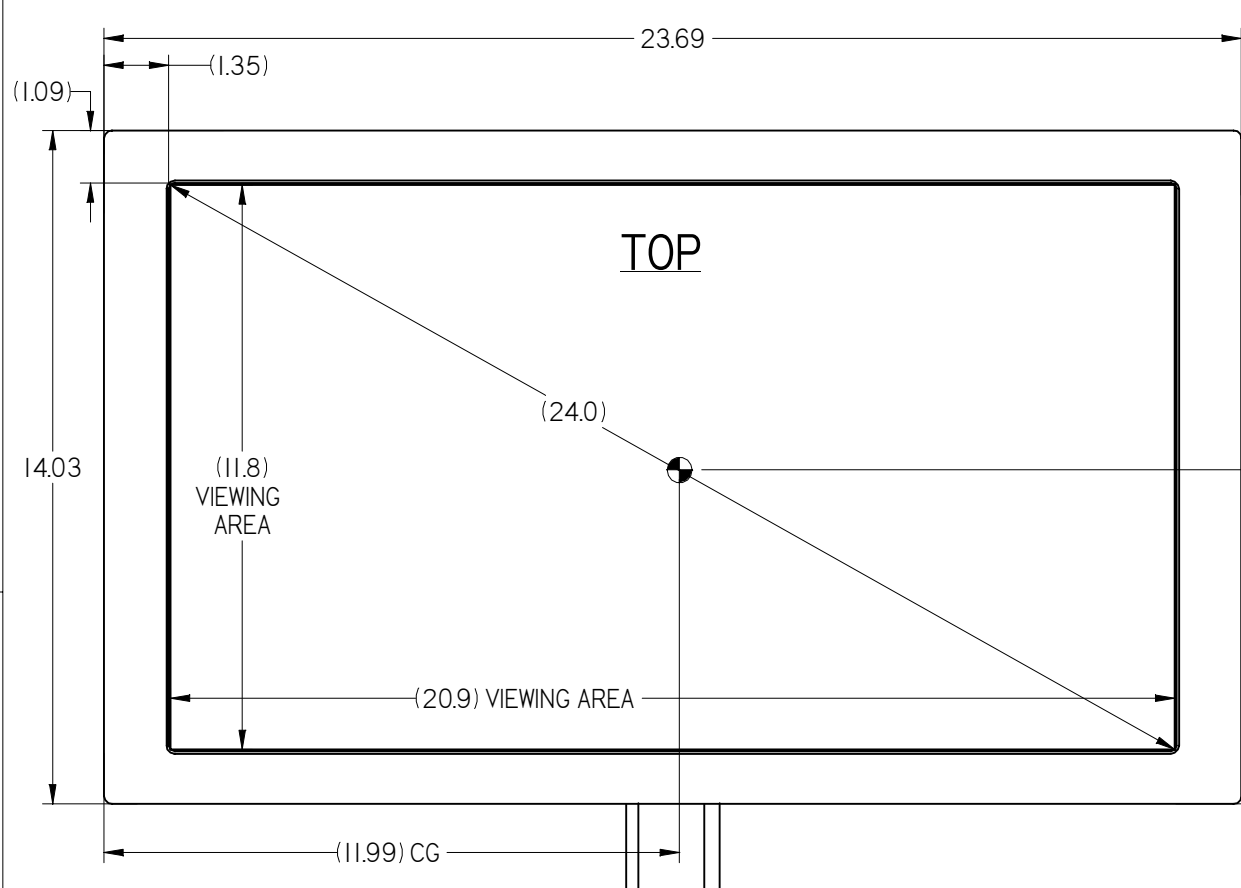
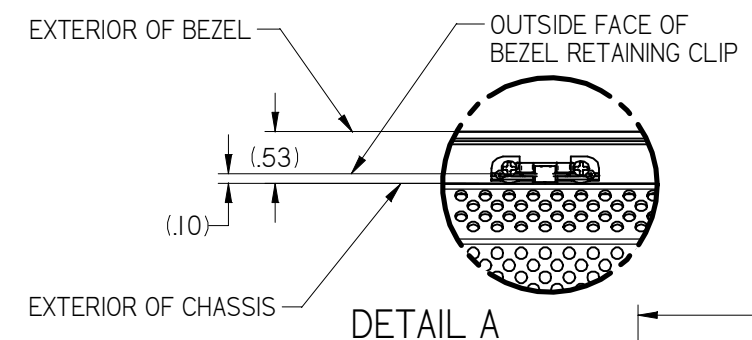
1 2 3 4

A

A

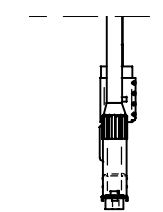
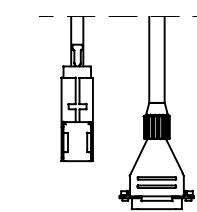
B

B



RDM ONLY SHOWN FOR REFERENCE
SEE RDM DWG 2401-100-CD
FOR FURTHER DETAILS

10-32 CHASSIS
GROUND LUG



THE INFORMATION CONTAINED HEREIN IS PROPRIETARY TO ROSEN AVIATION, LLC. IT SHALL NOT BE REPRODUCED OR DISCLOSED IN WHOLE OR IN PART OR USED FOR ANY DESIGN OR MANUFACTURE EXCEPT WHEN SUCH USER POSSESSES DIRECT, WRITTEN AUTHORIZATION FROM ROSEN AVIATION, LLC. THIS DRAWING MAY BE COVERED UNDER ONE OR MORE U.S. OR INTERNATIONAL PATENTS. PLEASE CONTACT ROSEN AVIATION FOR SPECIFIC INFORMATION.

ROSEN AVIATION	1020 OWEN LOOP SOUTH EUGENE, OREGON 97402 TEL: (541) 342-3802 FAX: (541) 342-4912	SIZE B	DWG NO 2401-900-CD	REV A
	SCALE NONE	SHEET 2 of 2		

1 2 3 4 ©2011 ROSEN AVIATION, LLC