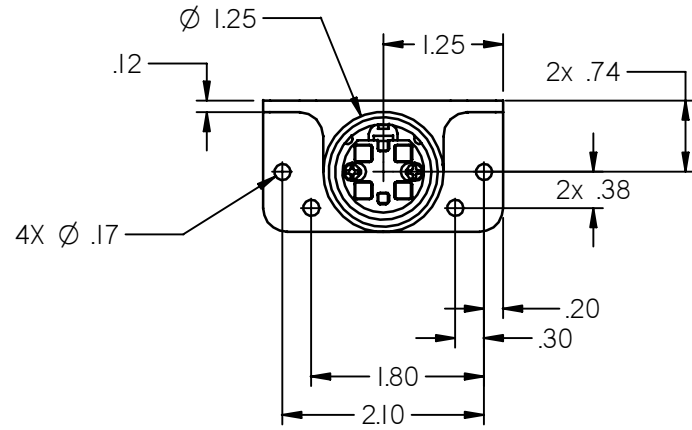


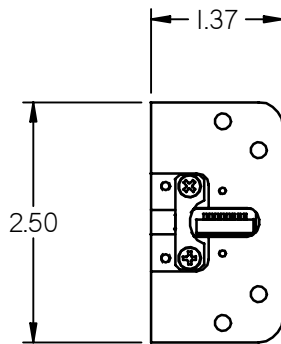
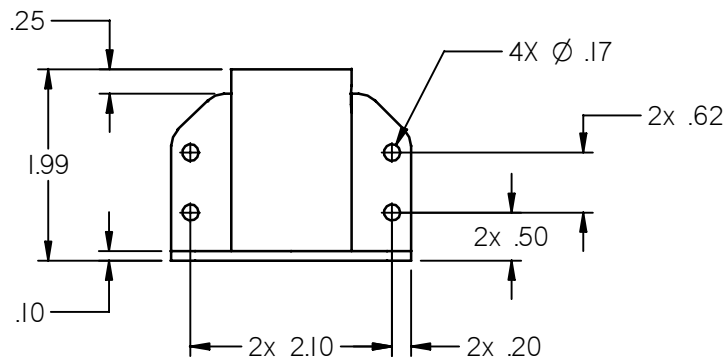
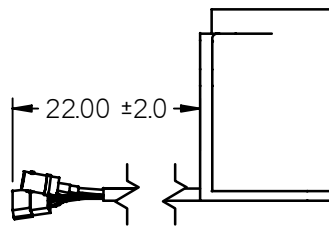
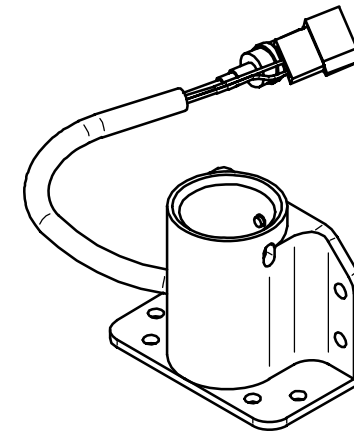
NOTES: (unless otherwise specified)

1. ASSEMBLY WEIGHT: .26 LBS ± 10%
2. VIDEO CONNECTOR: BNC JACK (AMP 5221199-5)
MATING VIDEO CONNECTOR: BNC PLUG
POWER CONNECTOR: MALE 3 PIN (.062" MOLEX)
MATING POWER CONNECTOR: MOLEX 03-06-1038
MATING POWER CONTACT: MOLEX 02-06-1103
3. HARNESS OMITTED FROM SOME VIEWS FOR CLARITY

REVISIONS						
ZONE	REV	DESCRIPTION	DATE	BY	CHG NO	APRV
	A	INITIAL DRAWING RELEASE	09/29/09	GJH	EC09361	



ELECTRONIC REVISION CONTROLLED



REFER TO www.rosenaviation.com FOR THE LATEST REVISION INFORMATION.

THE INFORMATION CONTAINED HEREIN IS PROPRIETARY TO ROSEN AVIATION, LLC. IT SHALL NOT BE REPRODUCED OR DISCLOSED IN WHOLE OR IN PART OR USED FOR ANY DESIGN OR MANUFACTURE EXCEPT WHEN SUCH USER POSSESSES DIRECT, WRITTEN AUTHORIZATION FROM ROSEN AVIATION. THIS DRAWING MAY BE COVERED UNDER ONE OR MORE U.S. OR INTERNATIONAL PATENTS. PLEASE CONTACT ROSEN AVIATION FOR SPECIFIC INFORMATION.

Rosen Aviation
1020 OWEN LOOP SOUTH
EUGENE, OREGON 97402
TEL: (541) 342-3802 FAX: (541) 342-4912

APPROVALS	INITIAL	DATE
DRAWN BY	GJH	09/02/09
CHECKER	MCS	09/21/09
ENGINEER	MCS	09/21/09

TITLE
**OUTLINE & INSTALLATION DRAWING,
BASE RECEPTACLE, SLIMLINE
POGO, BNC / MOLEX HARNESS**

DWG NO
0100-040-CD

FIRST CALLED FOR: (FCF)

SIZE	REV
A	A

SLIMLINE POGO BASE

SCALE 1:2 SHEET 1 OF 1

UNLESS OTHERWISE SPECIFIED DIMENSIONS ARE IN INCHES
 .X = ± .1
 .XX = ± .03
 R = ± 5.0°
 RADI I = ± .020
 INTERPRET DIM AND TOL PER ASME Y14.5M - 1994