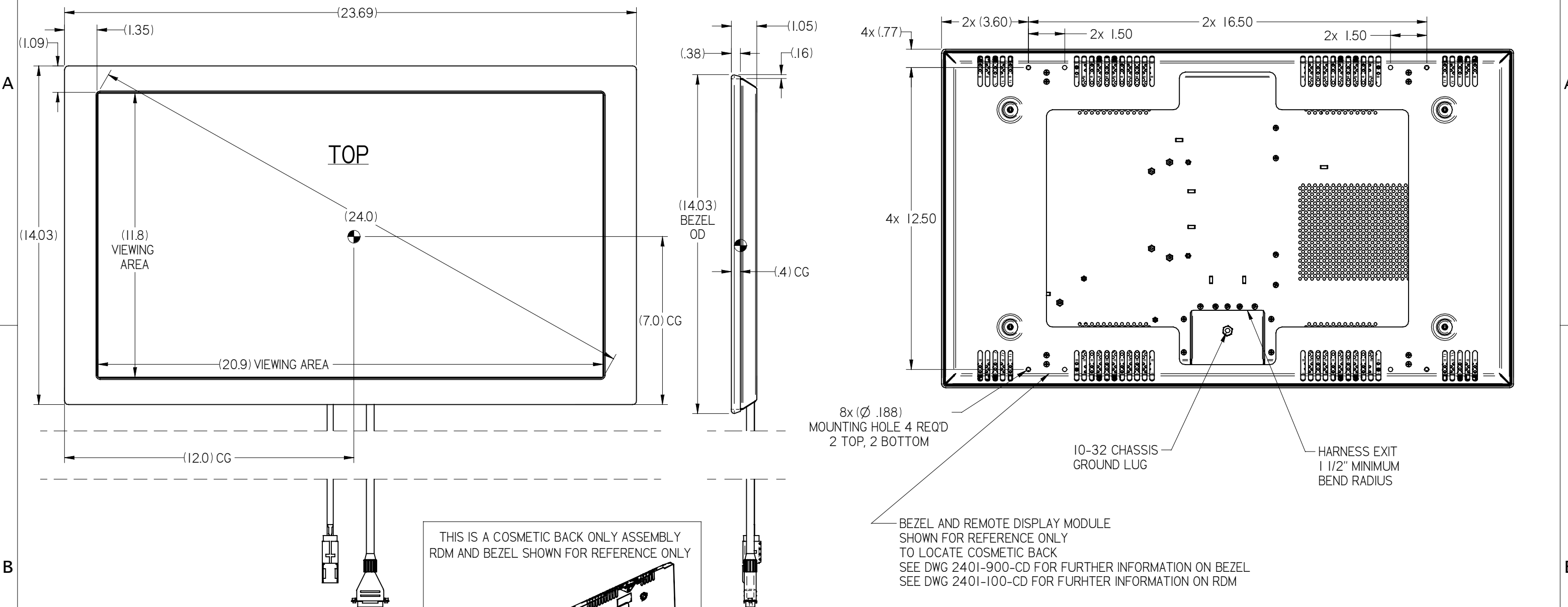


ELECTRONIC REVISION CONTROLLED

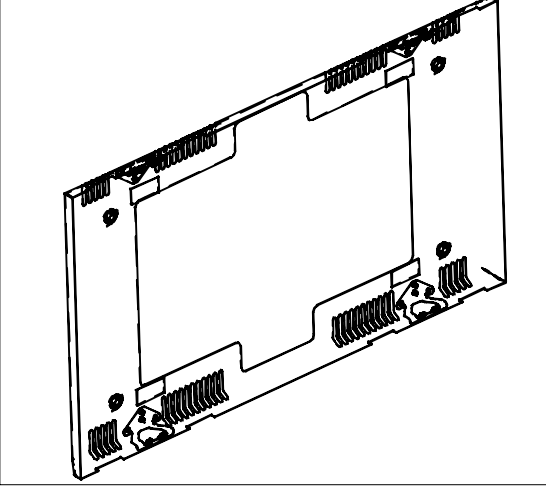
NOTES: (UNLESS OTHERWISE SPECIFIED)

1. COSMETIC BACK WEIGHT: 1.0 LBS +/- 10%
2. SOME MINOR PARTS, LABELS, HARNESES AND INSTRUCTIONS OMITTED FOR CLARITY

REVISIONS					
ZONE	REV	DESCRIPTION	DATE	BY	CHG NO
	A	INITIAL DRAWING RELEASE	11/07/11	DE	EC11682



THIS IS A COSMETIC BACK ONLY ASSEMBLY
RDM AND BEZEL SHOWN FOR REFERENCE ONLY



8x (Ø .188)
MOUNTING HOLE 4 REQ'D
2 TOP, 2 BOTTOM

10-32 CHASSIS
GROUND LUG

HARNESS EXIT
1/2" MINIMUM
BEND RADIUS

BEZEL AND REMOTE DISPLAY MODULE
SHOWN FOR REFERENCE ONLY
TO LOCATE COSMETIC BACK
SEE DWG 2401-900-CD FOR FURTHER INFORMATION ON BEZEL
SEE DWG 2401-100-CD FOR FURTHER INFORMATION ON RDM

THE INFORMATION CONTAINED HEREIN IS PROPRIETARY TO ROSEN AVIATION, LLC. IT SHALL NOT BE REPRODUCED OR DISCLOSED IN WHOLE OR IN PART OR USED FOR ANY DESIGN OR MANUFACTURE EXCEPT WHEN SUCH USER POSSESSES DIRECT, WRITTEN AUTHORIZATION FROM ROSEN AVIATION, LLC. THIS DRAWING MAY BE COVERED UNDER ONE OR MORE U.S. OR INTERNATIONAL PATENTS, PLEASE CONTACT ROSEN AVIATION FOR SPECIFIC INFORMATION.

	1020 OWEN LOOP SOUTH EUGENE, OREGON 97402 TEL: (541) 342-3802 FAX: (541) 342-4912		APPROVALS	INITIAL	DATE	
			DRAWN BY	BEF	06-15-11	
			CHECKER	DE	11/03/11	
		ENGINEER	BEF	11/03/11		
TITLE OUTLINE & INSTALLATION DRAWING, COSMETIC BACK 24" W/S, 900 STYLING		DWG NO 2401-800-CD				
FIRST CALLED FOR: (FCF) 24 RDM, 2401		SIZE			REV	
		B			A	
		SCALE	1:4	SHEET	1 of 1	

UNLESS OTHERWISE SPECIFIED DIMENSIONS ARE IN INCHES
 .X = ± .1
 .XX = ± .03
 R = ± 5.0°
 RADII = ± .020
 INTERPRET DIM AND TOL PER ASME Y14.5M - 1994