

A

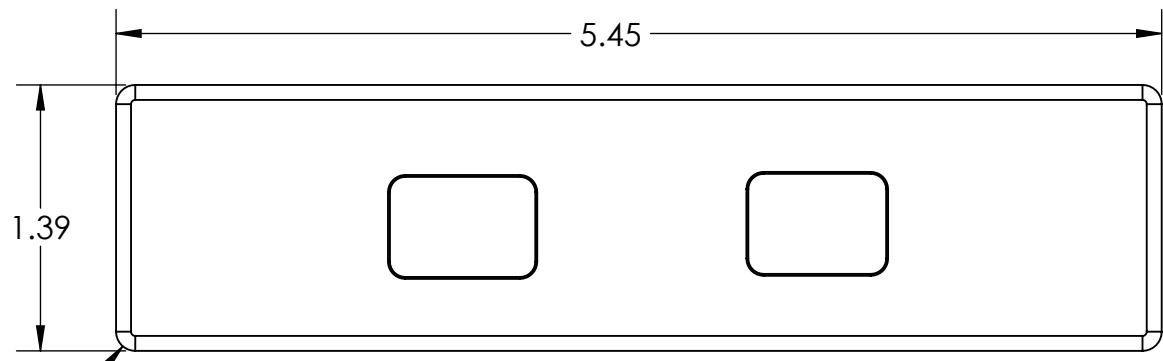
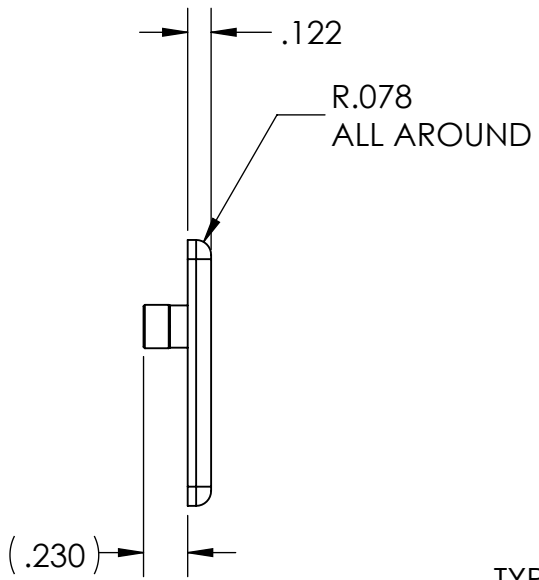
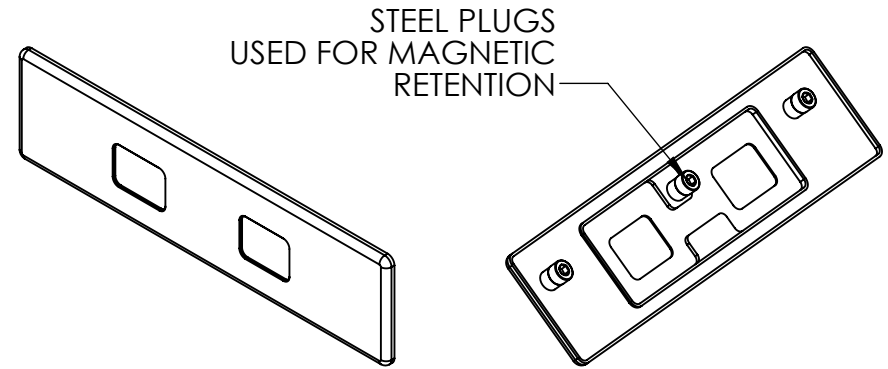
B

NOTES: (UNLESS OTHERWISE SPECIFIED)

1. ASSEMBLY WEIGHT: .05 LBS MAX
2. REMOVE SCREWS AS REQUIRED FOR SOME FINISHING PROCESSES. PLUG THREADED HOLES DURING ANY SECONDARY COATING PROCESSES. MAXIMUM ALLOWABLE COATING THICKNESS .0015 INCHES
3. PROTECT COSMETIC SURFACES FROM DAMAGE
4. DURING FINAL ASSEMBLY IF SCREWS REMOVED, APPLY LOCTITE 425 TO SCREWS AND TORQUE TO 9 IN-LB ± 1 IN-LB

| REVISIONS |     |   |          |     |         |      |
|-----------|-----|---|----------|-----|---------|------|
| ZONE      | REV | DESCRIPTION   | DATE     | BY  | EC NO.  | APRV |
|           | A   | INITIAL RELEASE   | 02/06/18 | MCS | 18-0080 |      |
| NOTES     | B   | REMOVE QCP NOTE, CHANGE PROJECT FROM "SMARTFLEX" TO "MIP" | 06/05/18 | SC  | 18-0373 | BEF  |

# Electronic Revision Controlled



|   |
|---|
| UNLESS OTHERWISE SPECIFIED DIMENSIONS ARE IN INCHES |
| .X = ± .1   |
| .XX = ± .02   |
| .XXX = ± .005                                       |
| ∠ = ± 1.0°  |
| RADII ± .020  |
| INTERPRET DIM AND TOL PER ASME Y14.5M - 1994        |

THE INFORMATION CONTAINED HEREIN IS PROPRIETARY TO ROSEN AVIATION, LLC. IT SHALL NOT BE REPRODUCED OR DISCLOSED IN WHOLE OR IN PART OR USED FOR ANY DESIGN OR MANUFACTURE EXCEPT WHEN SUCH USER POSSESSES DIRECT, WRITTEN AUTHORIZATION FROM ROSEN AVIATION, LLC. THIS DRAWING MAY BE COVERED UNDER ONE OR MORE U.S. OR INTERNATIONAL PATENTS. PLEASE CONTACT ROSEN AVIATION FOR SPECIFIC INFORMATION.

**ROSEN AVIATION**  
 1020 OWEN LOOP SOUTH  
 EUGENE, OREGON 97402  
 TEL: (541) 342-3802 FAX: (541) 342-4912

TITLE: **OUTLINE AND INSTALLATION DRAWING, MIP, BEZEL, RAW**

FIRST CALLED FOR: (PCF)  
**359-MIP**

| APPROVALS            | INITIAL | DATE         |
|----------------------|---------|--------------|
| DRAWN BY             | MCS     | 01/31/18     |
| CHECKER              | BEF     | 02/01/18     |
| ENGINEER             | MCS     | 02/01/18     |
| <b>MIP100-900-CD</b> |         |              |
| SIZE                 |         | REV          |
| <b>A</b>             |         | <b>B,</b>    |
| SCALE: 1:1           |         | SHEET 1 OF 1 |

A

B © 2018 ROSEN AVIATION, LLC