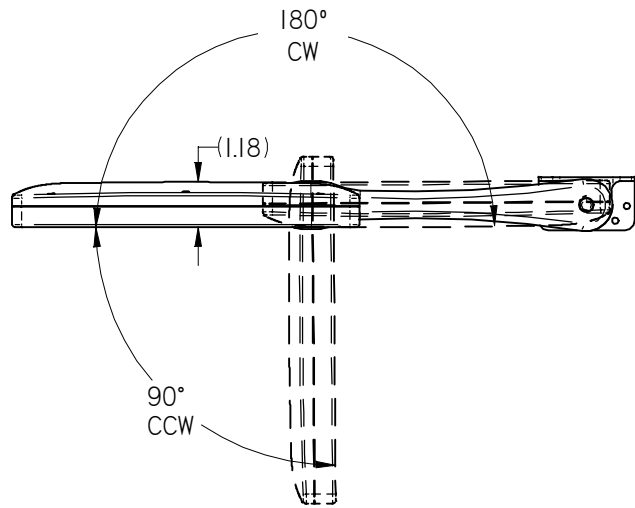


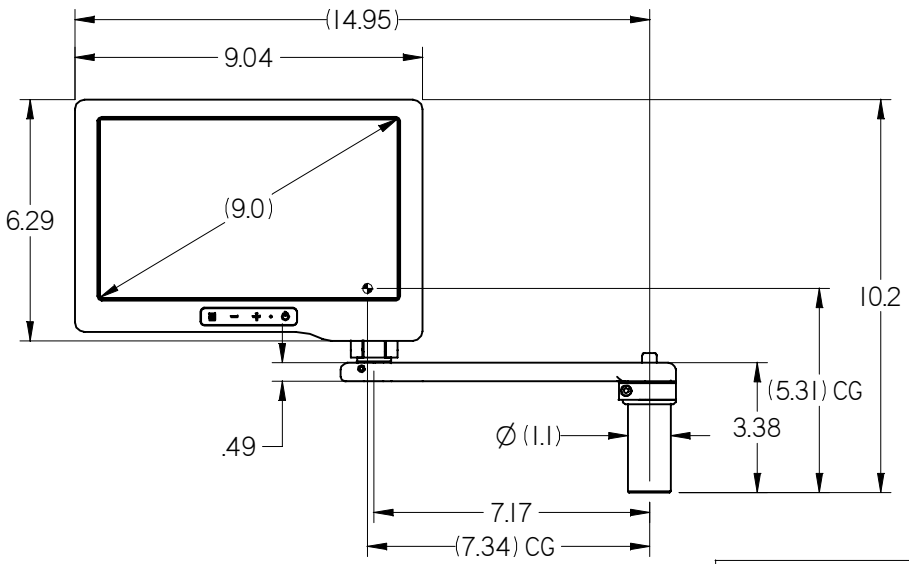
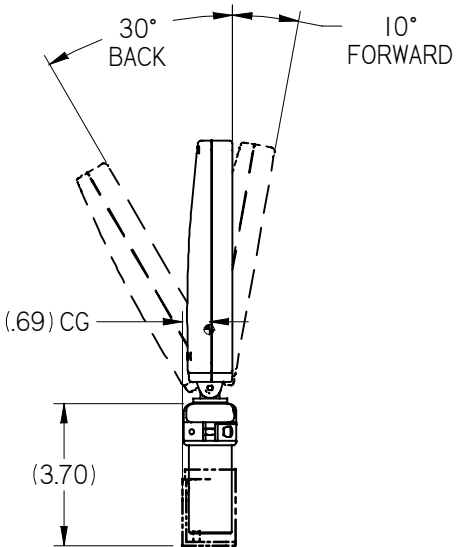
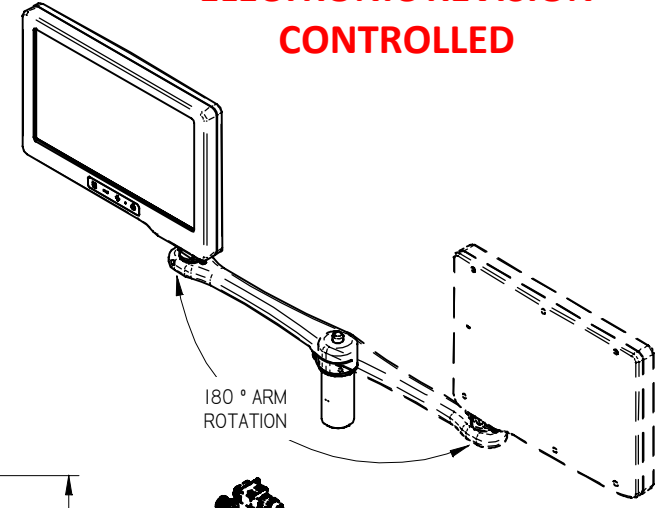
NOTES: (unless otherwise specified)

1. ASSEMBLY WEIGHT: 2.65 ± 10%
2. BASE SOLD SEPARATELY
3. HARNESS LENGTH: REFER TO BASE DRAWING
4. SOME MINOR PARTS, LABELS, HARNESSES AND INSTRUCTIONS OMITTED FOR CLARITY

REVISIONS						
ZONE	REV	DESCRIPTION	DATE	BY	CHG NO	APRV
	A	INITIAL DRAWING RELEASE	08/16/11	DE	EC11509	
PG2	B	PIN 6 CHG TO RX, PIN 7 CHG TO TX	11/16/11	DE	EC11714	DRF



**ELECTRONIC REVISION CONTROLLED**



THE INFORMATION CONTAINED HEREIN IS PROPRIETARY TO ROSEN AVIATION, LLC. IT SHALL NOT BE REPRODUCED OR DISCLOSED IN WHOLE OR IN PART OR USED FOR ANY DESIGN OR MANUFACTURE EXCEPT WHEN SUCH USER POSSESSES DIRECT, WRITTEN AUTHORIZATION FROM ROSEN AVIATION. THIS DRAWING MAY BE COVERED UNDER ONE OR MORE U.S. OR INTERNATIONAL PATENTS, PLEASE CONTACT ROSEN AVIATION FOR SPECIFIC INFORMATION.

**Rosen Aviation**  
 1020 OWEN LOOP SOUTH  
 EUGENE, OREGON 97402  
 TEL: (541) 342-3802 FAX: (541) 342-4912

TITLE  
**OUTLINE & INSTALLATION DRAWING,  
 9" WS, RIGHT, SDI, RS-232**

FIRST CALLED FOR: (FCF)

APPROVALS	INITIAL	DATE
DRAWN BY	SC	08/05/11
CHECKER	GJH	08/09/11
ENGINEER	DRF	08/16/11

DWG NO  
 9000-361-CD

SIZE	REV
A	B

SCALE | : 4 | SHEET | OF 2

UNLESS OTHERWISE SPECIFIED DIMENSIONS ARE IN INCHES  
 .X = ± .1  
 .XX = ± .03  
 ⌀ = ± 5.0°  
 RADII = ± .020  
 INTERPRET DIM AND TOL PER ASME Y14.5M - 1994

**PERFORMANCE SPECIFICATIONS** (Reference)

LCD Performance	
Screen Resolution (pixels)	1280 x 768
Video Standards Supported	SDI: 480i30, 576i25, 720p50/60, 1080i25/30, 1080p50/60
Display Viewing Area (mm)	196.8 X 118
Horizontal Viewing Angle	-85° to 85°
Vertical Viewing Angle	-85° to 85°
Contrast Ratio (Typical)	600:1
Screen Brightness (Typical)	400 cd/m <sup>2</sup>

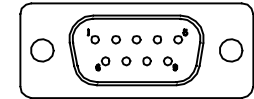
Power Requirements	
Nominal Voltage/Current	28VDC / 0.53 A
Inrush Current	1.8 A for 18 ms
Op Voltage/Current Range	18 VDC/0.88 A - 32VDC/0.45 A (1080p60)
Maximum Current Draw	.88 A
Power Consumption	17 W Max

Environmental Specifications	
Operating Temperature	0°C - 50°C
Altitude	15,000ft
Humidity	95%RH
Vibration	1.48 grms
Power Input	DO-160F Cat A/B
Radio Frequency Susceptibility	DO-160F Cat T
Emission of RF Energy	DO-160F Cat M

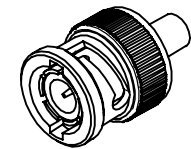
**BASE RECEPTACLE**

0100-342 Base Receptacle	
Connector: 9-Pin Male Dsub Mating Connector: 9-Pin Female D-Sub (0300-022, Not Included)	
D-sub Pin #	Monitor signal
1	Chassis Ground
2	+28V DC
3	DC Return
6	RS232 RX
7	RS232 TX
8	RS232 GND

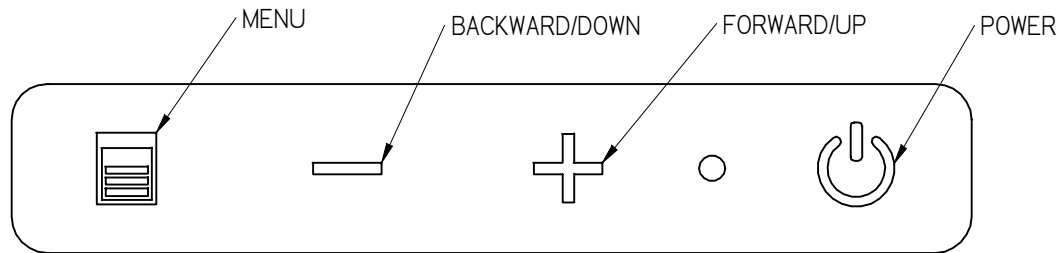
Connector: BNC Plug, 75 Ohm, 4 GHz Min Mate: BNC Jack, 75 Ohm, 4 GHz Min (0300-054; Not Included)	
BNC Signal	SDI Video
BNC Shield	SDI Video Return



9-Pin Male D-Sub



BNC Plug (SDI)



MONITOR TOUCH CONTROLS

THE INFORMATION CONTAINED HEREIN IS PROPRIETARY TO ROSEN AVIATION, LLC. IT SHALL NOT BE REPRODUCED OR DISCLOSED IN WHOLE OR IN PART OR USED FOR ANY DESIGN OR MANUFACTURE EXCEPT WHEN SUCH USER POSSESSES DIRECT, WRITTEN AUTHORIZATION FROM ROSEN AVIATION, LLC. THIS DRAWING MAY BE COVERED UNDER ONE OR MORE U.S. OR INTERNATIONAL PATENTS, PLEASE CONTACT ROSEN AVIATION FOR SPECIFIC INFORMATION.

<b>ROSEN AVIATION</b>	1020 OWEN LOOP SOUTH EUGENE, OREGON 97402 TEL: (541) 342-3802 FAX: (541) 342-4912	SIZE	DWG NO	REV
		A	9000-361-CD	B
		SCALE	NONE	SHEET 2 OF 2