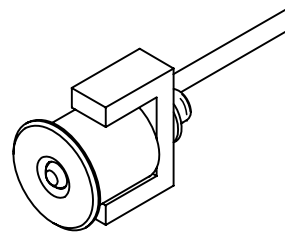


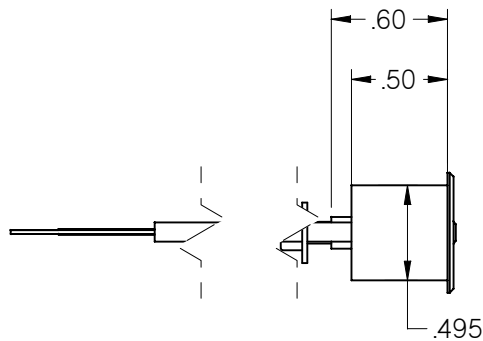
NOTES: (unless otherwise specified)

1. FOR CONTROL OF ROSEN AVIATION MONITORS AND SOURCE DEVICES. REFER TO DEVICE FOR WIRING INFORMATION.
2. MAXIMUM HOOK-UP DISTANCE 100 FT
3. MAY BE USED TO CONTROL UP TO 5 DEVICES
4. HOUSING MATERIAL: BLACK DELRIN
5. HARNESS PROVIDED WITH BARE WIRES FOR INSTALLER TERMINATION.
6. OPTIONAL FASTENER PROVIDED FOR THICKER BULKHEAD INSTALLATIONS.
7. WEIGHT: .05 LB. MAX

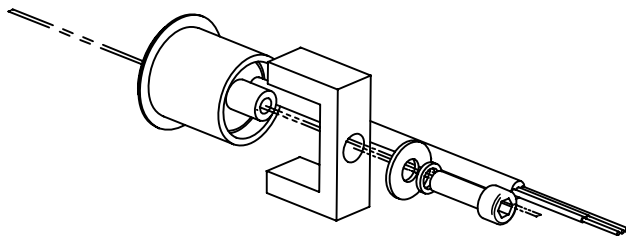
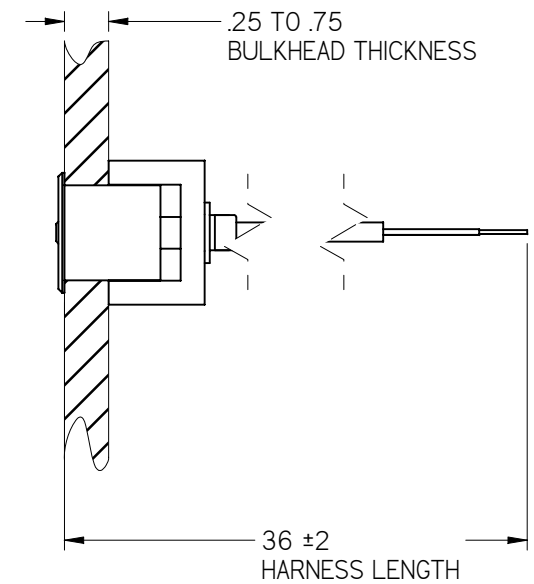
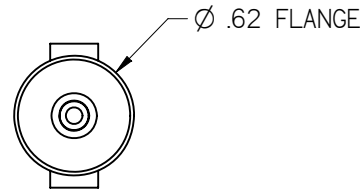
WIRE	FUNCTION
RED	+5VDC
BLACK	OUTPUT SIGNAL
DRAIN	GROUND



ELECTRONIC REVISION CONTROLLED



1:1



THE INFORMATION CONTAINED HEREIN IS PROPRIETARY TO ROSEN AVIATION, LLC. IT SHALL NOT BE REPRODUCED OR DISCLOSED IN WHOLE OR IN PART OR USED FOR ANY DESIGN OR MANUFACTURE EXCEPT WHEN SUCH USER POSSESSES DIRECT, WRITTEN AUTHORIZATION FROM ROSEN AVIATION. THIS DRAWING MAY BE COVERED UNDER ONE OR MORE U.S. OR INTERNATIONAL PATENTS. PLEASE CONTACT ROSEN AVIATION FOR SPECIFIC INFORMATION.

Rosen Aviation
 1020 OWEN LOOP SOUTH
 EUGENE, OREGON 97402
 TEL: (541) 342-3802 FAX: (541) 342-4912

APPROVALS	INITIAL	DATE
DRAWN BY	JAW	3/27/06
CHECKER	SC	06/09/06
ENGINEER	JW	06/13/06

UNLESS OTHERWISE SPECIFIED DIMENSIONS ARE IN INCHES

.XX = ± .020
 .XXX = ± .005
 = ± 1.0°
 RADI = ± .020
 INTERPRET DIM AND TOL PER ASME Y14.5M - 1994

TITLE
**IR RECEIVER, BULKHEAD MOUNT
 OUTLINE & INSTALLATION DRAWING**

FIRST CALLED FOR: (FCF)

MODEL NUMBER: 0500-006

DWG NO 0500-006-CD	
SIZE A	REV A
SCALE 1:1	SHEET 1 OF 1