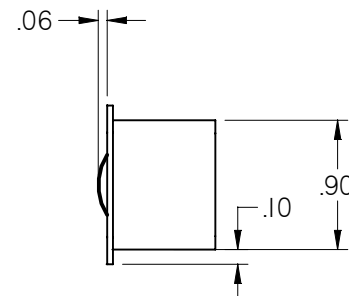
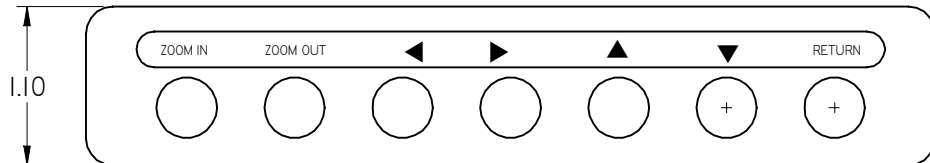
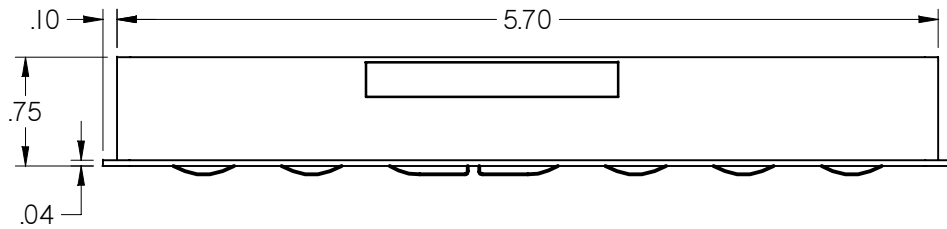
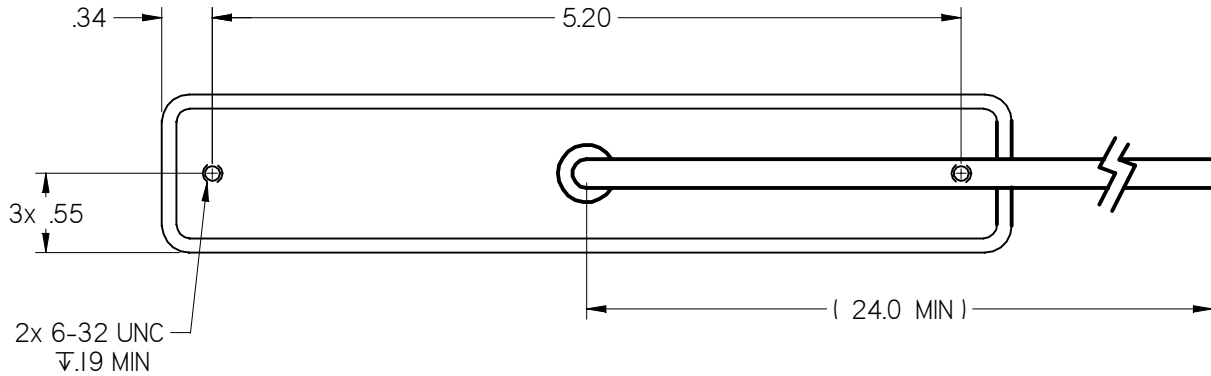


NOTES: (unless otherwise specified)

1. ASSEMBLY WEIGHT: .2 LBS. ± 10%
2. HARNESS LENGTH: 24" MINIMUM
3. SOME MINOR PARTS, LABELS, HARNESES AND INSTRUCTIONS OMITTED FOR CLARITY

REVISIONS						
ZONE	REV	DESCRIPTION	DATE	BY	CHG NO	APRV
	A	INITIAL DRAWING RELEASE	12/01/09	GJH	EC09393	
A1	B	CHANGE TOLERANCE PER FAI	01/25/10	GJH	EC10024	SC



ELECTRONIC REVISION CONTROLLED

PIGTAIL DESCRIPTION	
COLOR	WIRE DESCRIPTION
RED	+28VDC
BLACK	Ground
YELLOW	RS-232 TX (FROM PANEL) *
ORANGE	RS-232 (FROM RosenView) unassigned

* RS-232 TX, connects to RosenView data interface connector Pin 18, RS-232 Input

THE INFORMATION CONTAINED HEREIN IS PROPRIETARY TO ROSEN AVIATION, LLC. IT SHALL NOT BE REPRODUCED OR DISCLOSED IN WHOLE OR IN PART OR USED FOR ANY DESIGN OR MANUFACTURE EXCEPT WHEN SUCH USER POSSESSES DIRECT, WRITTEN AUTHORIZATION FROM ROSEN AVIATION. THIS DRAWING MAY BE COVERED UNDER ONE OR MORE U.S. OR INTERNATIONAL PATENTS. PLEASE CONTACT ROSEN AVIATION FOR SPECIFIC INFORMATION.

ROSEN AVIATION 1020 OWEN LOOP SOUTH
EUGENE, OREGON 97402
TEL: (541) 342-3802 FAX: (541) 342-4912

APPROVALS	INITIAL	DATE
DRAWN BY	GJH	09/23/09
CHECKER	DRF	10/01/09
ENGINEER	SC	12/01/09

UNLESS OTHERWISE SPECIFIED DIMENSIONS ARE IN INCHES
 .X = ± .1
 .XX = ± .03
 = ± 5.0°
 RADI I = ± .020
 INTERPRET DIM AND TOL PER ASME Y14.5M - 1994

TITLE
**OUTLINE & INSTALLATION DRAWING,
 7 BUTTON CONTROLLER,
 BRUSHED ALUMINUM**

FIRST CALLED FOR: (FCF)
ROSENVIEW

DWG NO 0300-407-CD	
SIZE A	REV B
SCALE 3:4	SHEET 1 OF 1

REFER TO www.rosenaviation.com FOR THE LATEST REVISION INFORMATION.