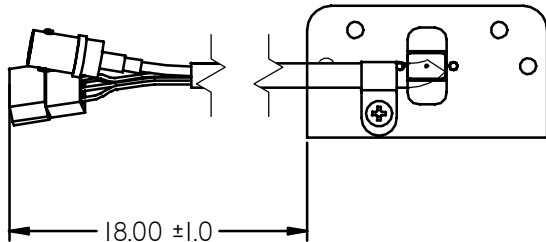
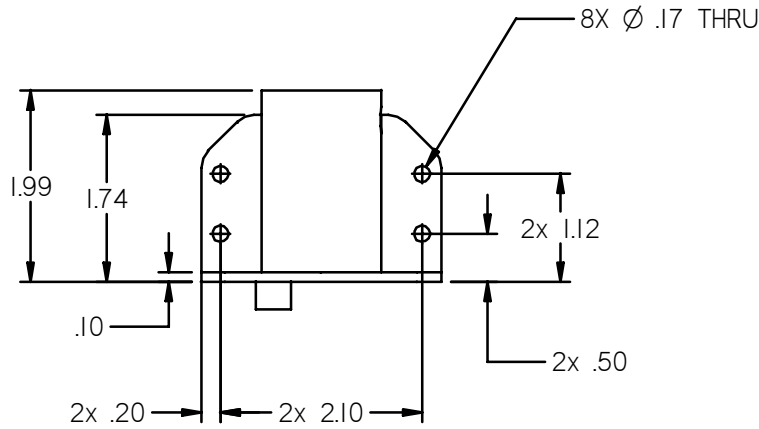
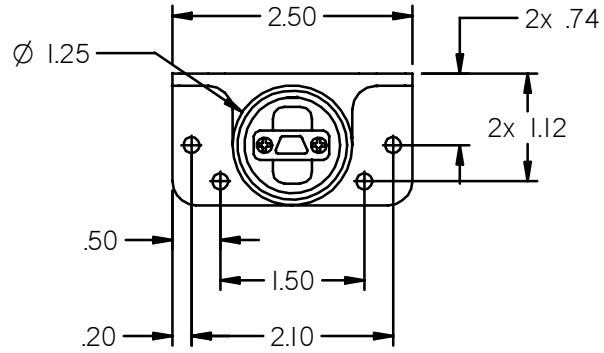


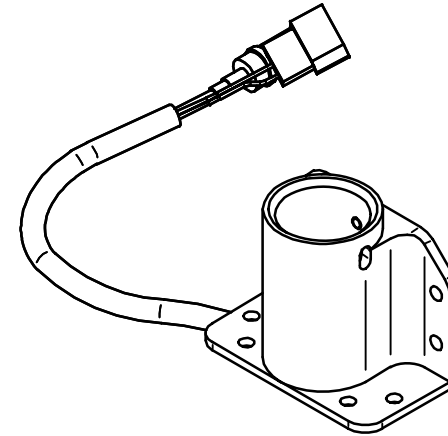
NOTES: (unless otherwise specified)

1. ASSEMBLY WEIGHT: 0.24 LBS ± 10%
2. HARNESS LENGTH: 18.0 ± 1
3. HARNESS OMITTED FROM SOME VIEWS FOR CLARITY



REFER TO www.rosenaviation.com FOR THE LATEST REVISION INFORMATION.

REVISIONS						
ZONE	REV	DESCRIPTION	DATE	BY	CHG NO	APRV
	A	INITIAL DRAWING RELEASE	09/29/09	GJH	EC09361	



**ELECTRONIC REVISION
CONTROLLED**

THE INFORMATION CONTAINED HEREIN IS PROPRIETARY TO ROSEN AVIATION, LLC. IT SHALL NOT BE REPRODUCED OR DISCLOSED IN WHOLE OR IN PART OR USED FOR ANY DESIGN OR MANUFACTURE EXCEPT WHEN SUCH USER POSSESSES DIRECT, WRITTEN AUTHORIZATION FROM ROSEN AVIATION. THIS DRAWING MAY BE COVERED UNDER ONE OR MORE U.S. OR INTERNATIONAL PATENTS. PLEASE CONTACT ROSEN AVIATION FOR SPECIFIC INFORMATION.

Rosen AVIATION 1020 OWEN LOOP SOUTH EUGENE, OREGON 97402 TEL: (541) 342-3802 FAX: (541) 342-4912	APPROVALS	INITIAL	DATE
	DRAWN BY	GJH	09/01/09
	CHECKER	MCS	09/16/09
	ENGINEER	MCS	09/21/09
TITLE OUTLINE & INSTALLATION DRAWING, BNC / MOLEX HARNESS		DWG NO 0100-005-CD	
FIRST CALLED FOR: (FCF) SLIMLINE BASE RECEPTACLE		SIZE A	REV A
		SCALE 1:2	SHEET 1 OF 1

UNLESS OTHERWISE SPECIFIED DIMENSIONS ARE IN INCHES
.X = ± .1
.XX = ± .03
\approx = ± 5.0°
RADI = ± .020
INTERPRET DIM AND TOL PER ASME Y14.5M - 1994