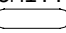
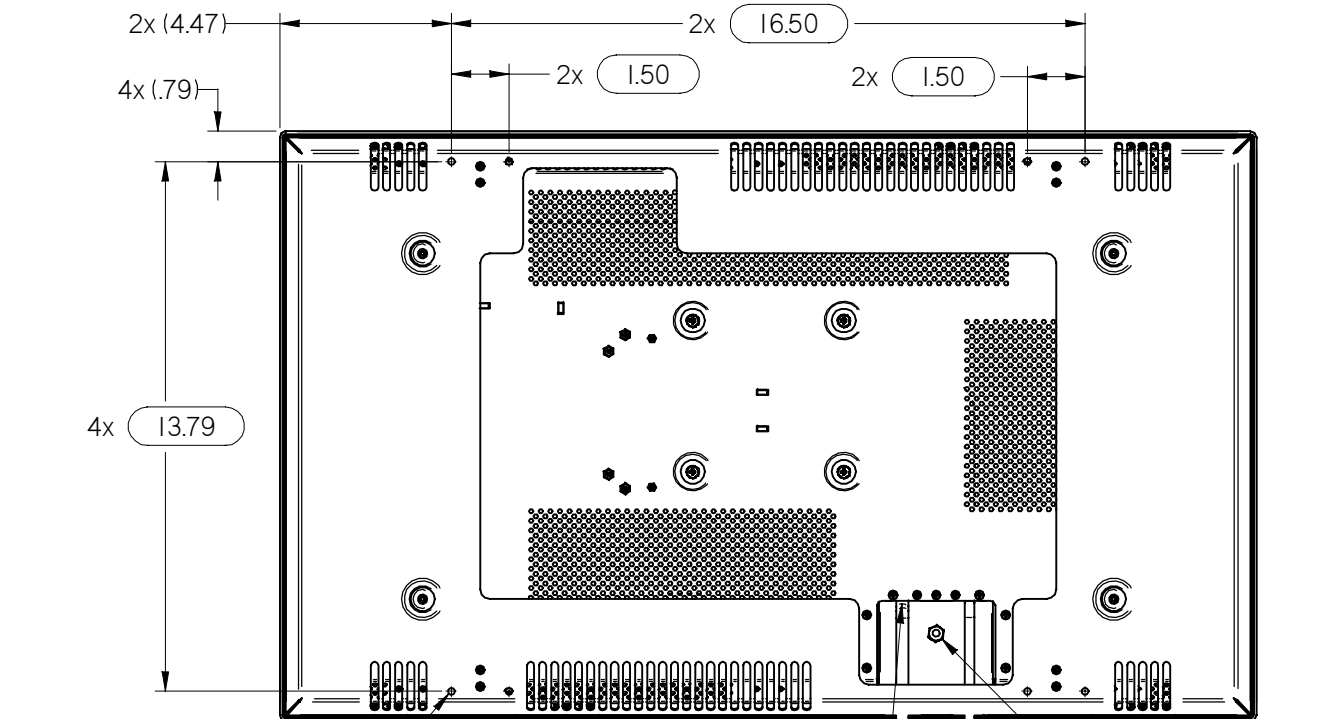
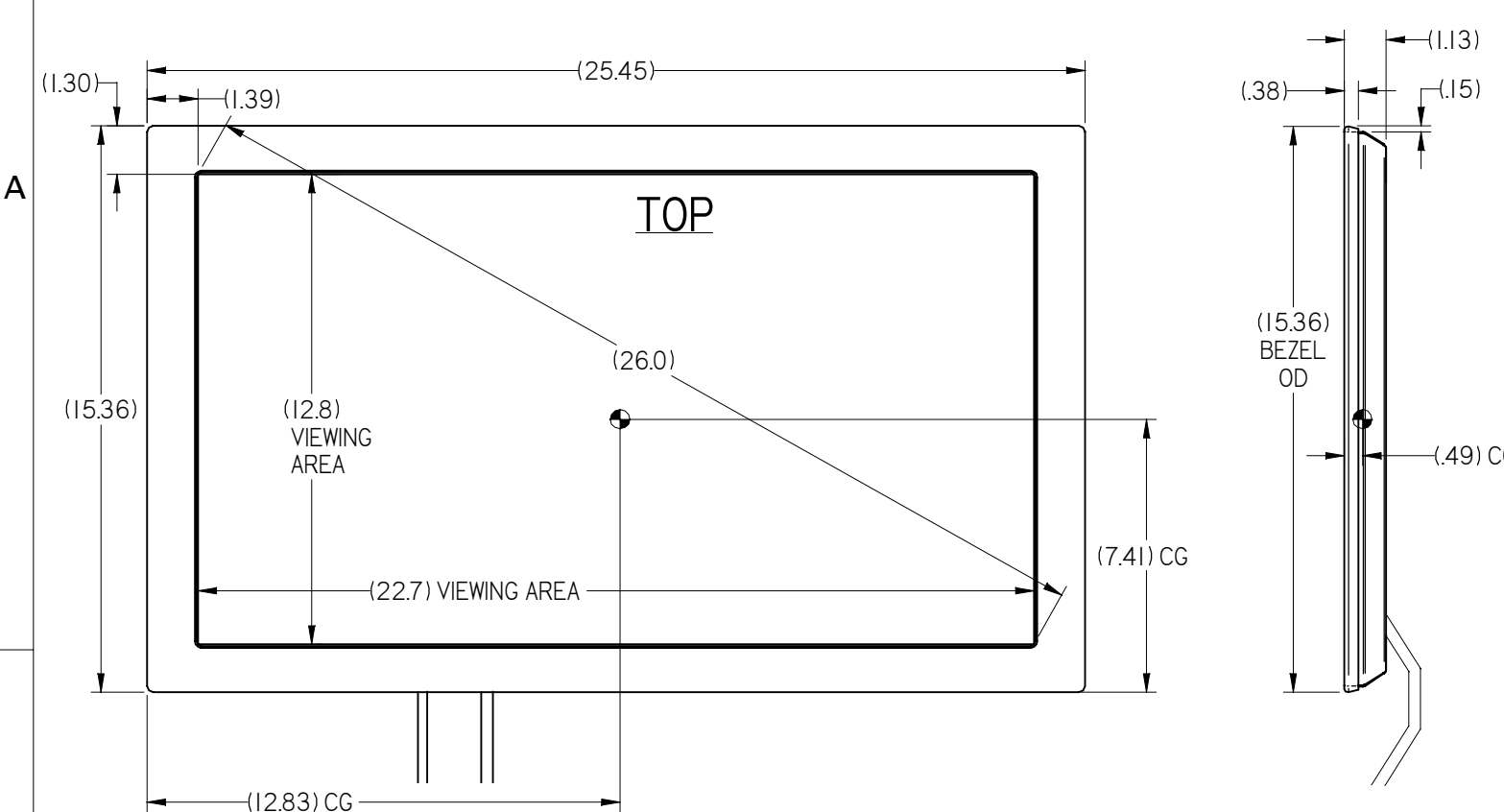


- NOTES:** (UNLESS OTHERWISE SPECIFIED)
1. COSMETIC BACK WEIGHT: 1.1 LBS +/-10%
  2. SOME MINOR PARTS, LABELS, HARNESSES AND INSTRUCTIONS OMITTED FOR CLARITY
  3.  DENOTES ROSEN FAI DIMENSIONS

# ELECTRONIC REVISION CONTROLLED

REVISIONS					
ZONE	REV	DESCRIPTION	DATE	BY	CHG NO
	1.0	INITIAL DRAWING RELEASE	02/27/12	GJH	
	A	RELEASE FOR PRODUCTION	03/28/12	GJH	12-0189



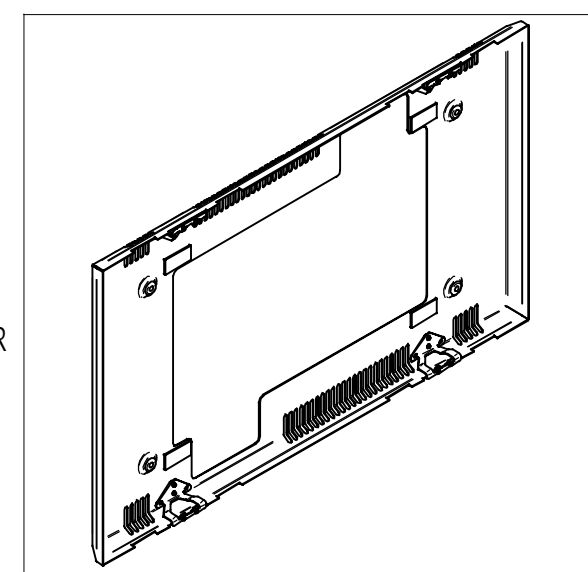
8x (Ø .188) MOUNTING HOLE 4 REQ'D 2 TOP, 2 BOTTOM

HARNESS EXIT 1 1/2" MINIMUM BEND RADIUS


10-32 CHASSIS GROUND LUG

BEZEL AND RDM SHOWN FOR REFERENCE ONLY TO LOCATE COSMETIC BACK  
SEE DWG 2601-100-CD FOR FURTHER INFORMATION ON RDM  
SEE DWG 2601-900-CD FOR FURTHER INFORMATION ON BEZEL

THIS IS A COSMETIC BACK ONLY ASSEMBLY RDM AND BEZEL SHOWN FOR REFERENCE ONLY



THE INFORMATION CONTAINED HEREIN IS PROPRIETARY TO ROSEN AVIATION, LLC. IT SHALL NOT BE REPRODUCED OR DISCLOSED IN WHOLE OR IN PART OR USED FOR ANY DESIGN OR MANUFACTURE EXCEPT WHEN SUCH USER POSSESSES DIRECT, WRITTEN AUTHORIZATION FROM ROSEN AVIATION, LLC. THIS DRAWING MAY BE COVERED UNDER ONE OR MORE U.S. OR INTERNATIONAL PATENTS, PLEASE CONTACT ROSEN AVIATION FOR SPECIFIC INFORMATION.

	1020 OWEN LOOP SOUTH EUGENE, OREGON 97402 TEL: (541) 342-3802 FAX: (541) 342-4912		APPROVALS	INITIAL	DATE
			DRAWN BY	GJH	02/27/12
		CHECKER	BEF	03/28/12	
		ENGINEER	GJH	03/28/12	
TITLE <b>OUTLINE &amp; INSTALLATION DRAWING,          COSMETIC BACK 26" W/S</b>		DWG NO <b>2601-800-CD</b>			
FIRST CALLED FOR: (FCF) <b>26 RDM, 2601</b>		SIZE	REV		
		<b>B</b>	<b>A</b>		
		SCALE 1:5	SHEET 1 of 1		

UNLESS OTHERWISE SPECIFIED DIMENSIONS ARE IN INCHES

.X = ± .1  
 .XX = ± .03  
 ∅ = ± 5.0"  
 RADIUS = ± .020  
 INTERPRET DIM AND TOL PER ASME Y14.5M - 1994