
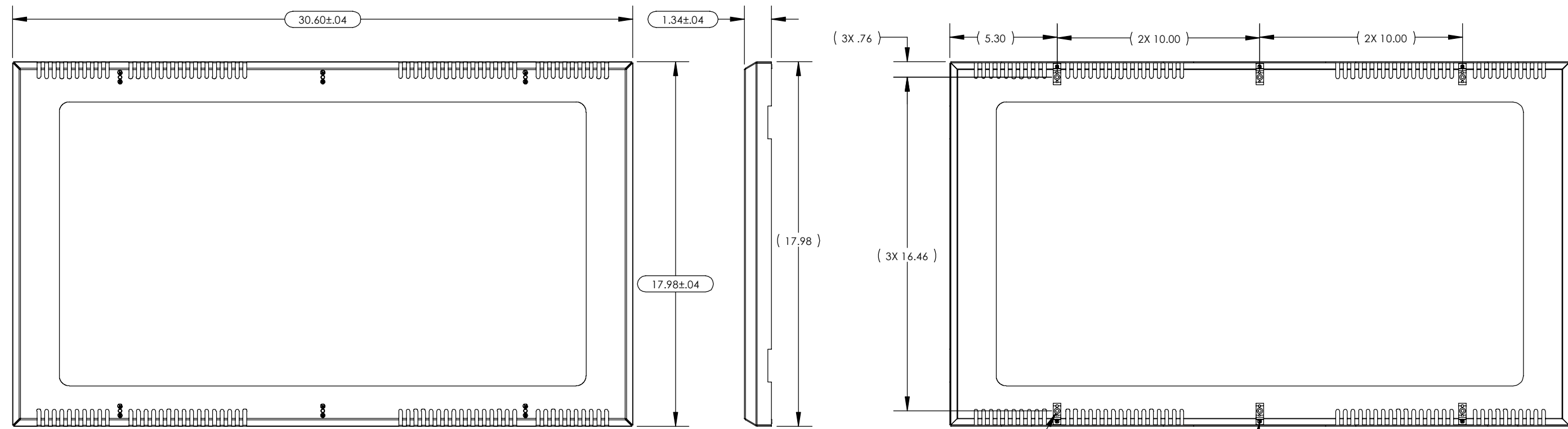
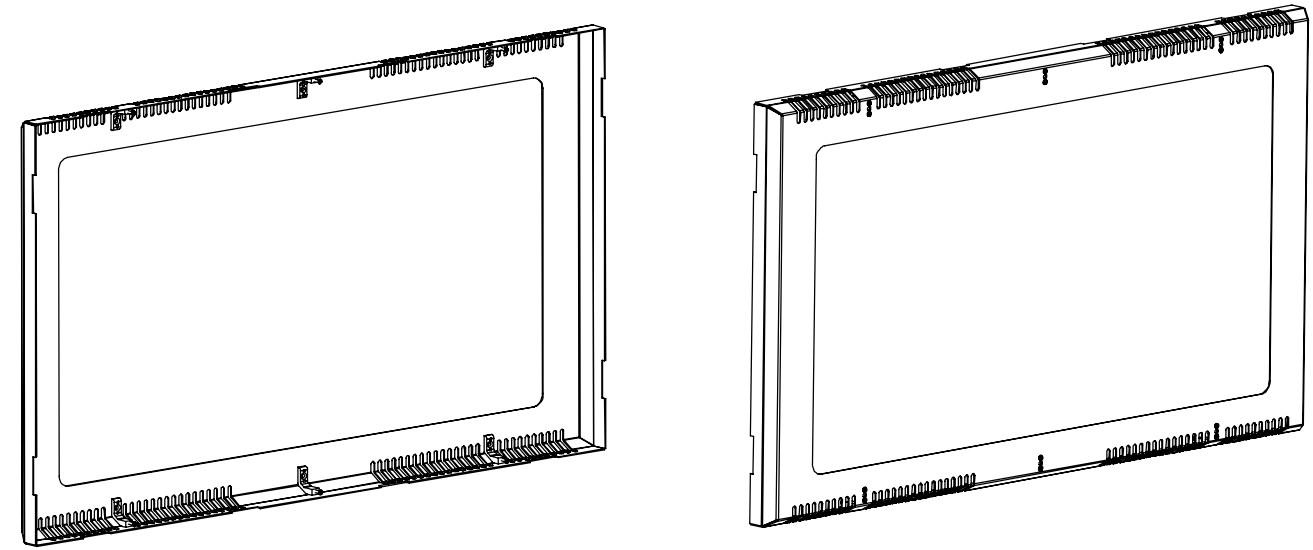


- NOTES: (UNLESS OTHERWISE SPECIFIED)  
 1. COSMETIC BACK ASSEMBLY WEIGHT: 1.65 LBS MAX  
 2. SOME MINOR PARTS, LABELS, HARNESSES AND INSTRUCTIONS OMITTED FOR CLARITY  
 3. CENTER OF GRAVITY MARK SHOWN IS FOR SYSTEM  
 4.  DENOTES ROSEN FAI DIMENSION

REVISIONS						
ZONE	REV	DESCRIPTION	DATE	BY	EC NO.	APRV
	1.0	INITIAL DRAWING RELEASE	02/22/12	BEF		DE
	A	RELEASE TO ALPHA	03/08/12	DE	12-0133	
A1	B	UPDATE WEIGHT CALLOUT TO 1.65 MAX	04/17/12	DE	12-0230	BEF


**ELECTRONIC REVISION CONTROLLED**



6X  $\phi$  .15 THRU ALL  
 $\sphericalangle$   $\phi$  .28 X 100°  
 MOUNTING HOLES  
 FOR No. 6 100° FH SCREW

6X  $\phi$  .09  $\nabla$  .39  
 4-40 UNC  $\nabla$  .31  
 RDM MOUNTING LOCATIONS

THE INFORMATION CONTAINED HEREIN IS PROPRIETARY TO ROSEN AVIATION, LLC. IT SHALL NOT BE REPRODUCED OR DISCLOSED IN WHOLE OR IN PART OR USED FOR ANY DESIGN OR MANUFACTURE EXCEPT WHEN SUCH USER POSSESSES DIRECT, WRITTEN AUTHORIZATION FROM ROSEN AVIATION, LLC. THIS DRAWING MAY BE COVERED UNDER ONE OR MORE U.S. OR INTERNATIONAL PATENTS. PLEASE CONTACT ROSEN AVIATION FOR SPECIFIC INFORMATION.

 1020 OWEN LOOP SOUTH EUGENE, OREGON 97402 TEL: (541) 342-3802 FAX: (541) 342-4912	APPROVALS	INITIAL	DATE
	DRAWN BY	BEF	02/22/11
	CHECKER	GJH	03/06/12
	ENGINEER	BEF	03/08/12
TITLE: OUTLINE AND INSTALLATION DRAWING, COSMETIC BACK 32 W/S 900 STYLING COATED BLACK			3201-800-CD
FIRST CALLED FOR: (FCF) 32in RDM - 248			SIZE: <b>B</b> SCALE: 3:16 SHEET 1 OF 2
			REV: <b>B</b>

UNLESS OTHERWISE SPECIFIED DIMENSIONS ARE IN INCHES

X = ± .1  
 .XX = ± .03  
 ∠ = ± 5.0°  
 RADII ± .020

INTERPRET DIM AND TOL PER ASME Y14.5M - 1994

1

2

3

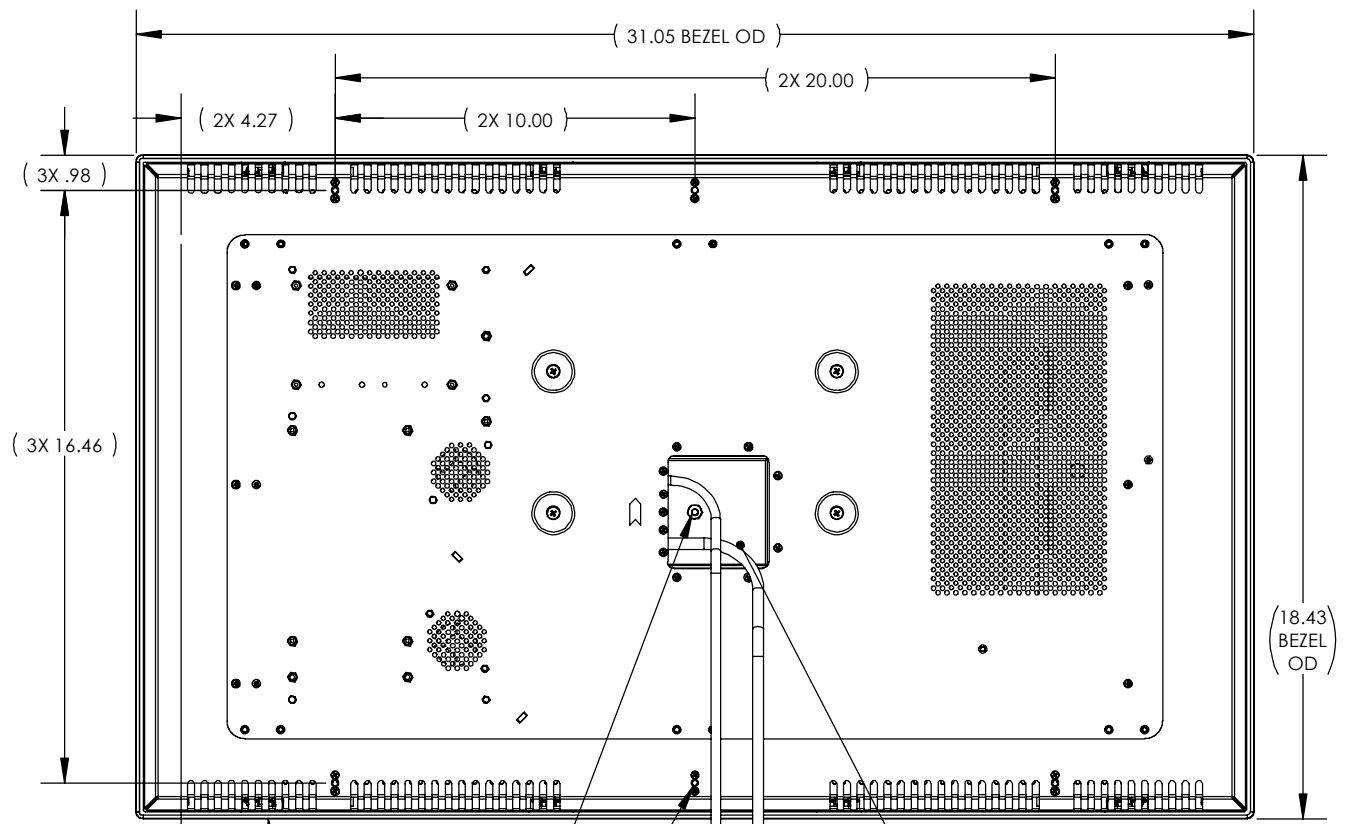
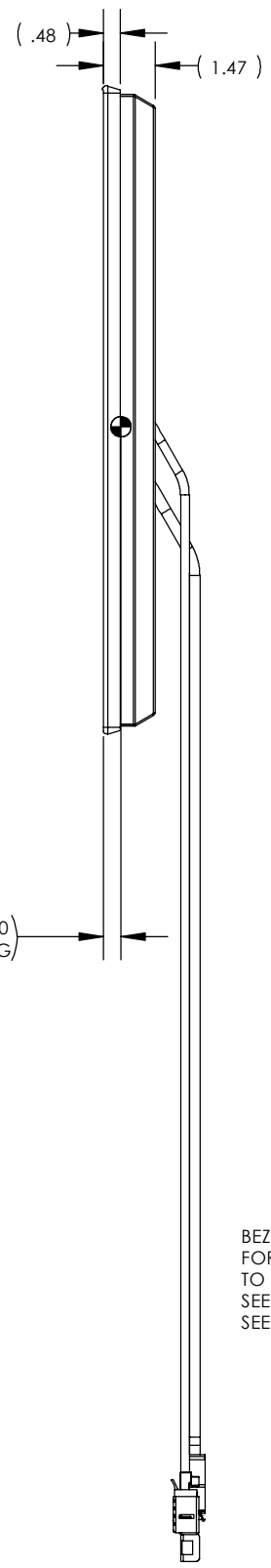
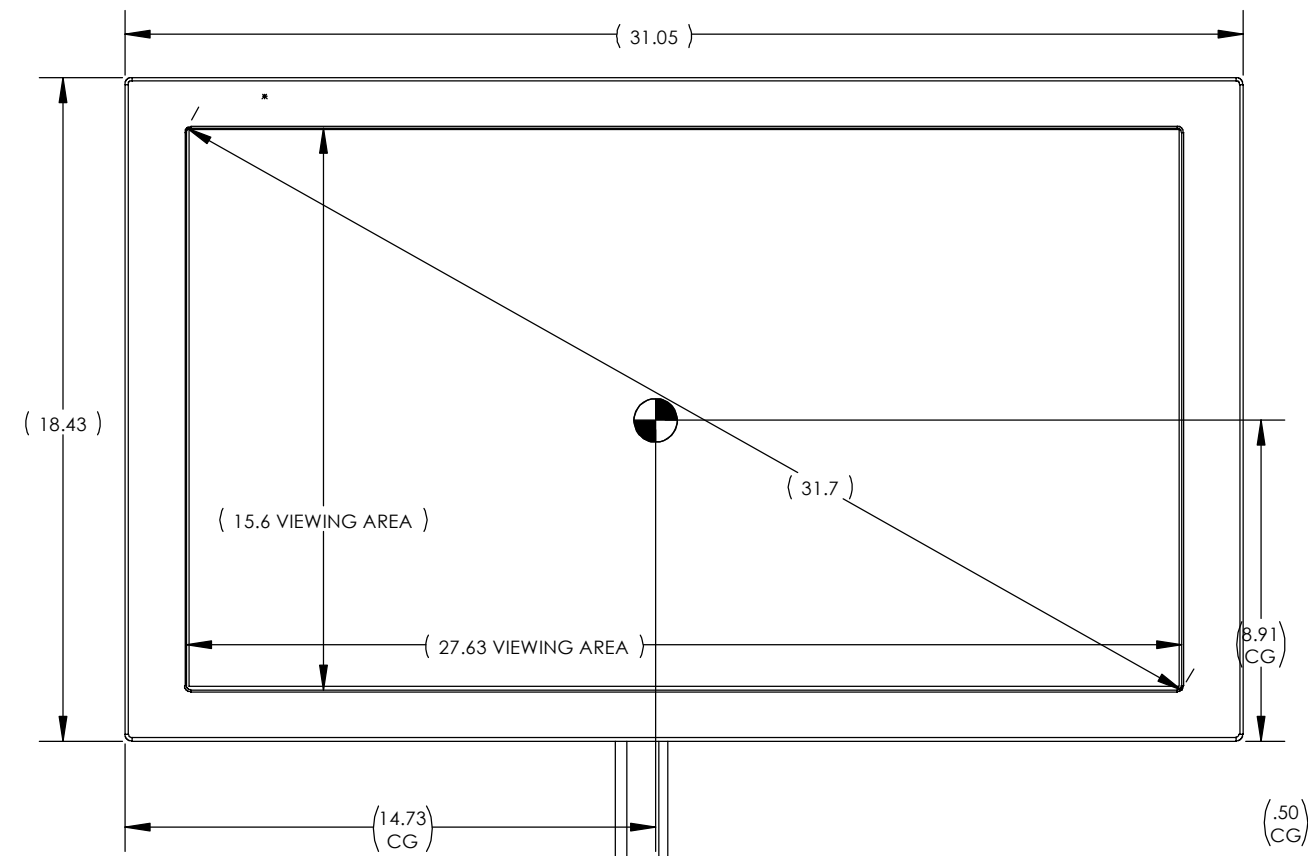
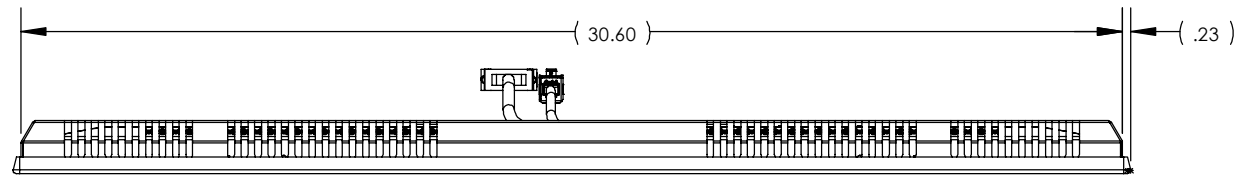
4

A

A

B

B



10-32 CHASSIS GROUND LUG

6X Ø .15 THRU ALL  
∠ Ø .28 X 100°  
MOUNTING HOLE FROM FAR SIDE

HARNESSEXIT 1.5  
MINIMUM BEND RADIUS

BEZEL AND RDM SHOWN FOR REFERENCE ONLY TO LOCATE COSMETIC BACK SEE DWG 3201-100-CD FOR RDM SEE DWG 3201-900-CD FOR BEZEL

THE INFORMATION CONTAINED HEREIN IS PROPRIETARY TO ROSEN AVIATION, LLC. IT SHALL NOT BE REPRODUCED OR DISCLOSED IN WHOLE OR IN PART OR USED FOR ANY DESIGN OR MANUFACTURE EXCEPT WHEN SUCH USER POSSESSES DIRECT, WRITTEN AUTHORIZATION FROM ROSEN AVIATION, LLC. THIS DRAWING MAY BE COVERED UNDER ONE OR MORE U.S. OR INTERNATIONAL PATENTS, PLEASE CONTACT ROSEN AVIATION FOR SPECIFIC INFORMATION.

**ROSEN AVIATION**

1020 OWEN LOOP SOUTH  
EUGENE, OREGON 97402  
TEL: (541) 342-3802 FAX: (541) 342-4912

SIZE	3201-800-CD	REV
<b>B</b>		<b>B,</b>
SCALE: 3:16	SHEET 2 OF 2	

1

2

3

4 © 2012 ROSEN AVIATION LLC