


1

2

3

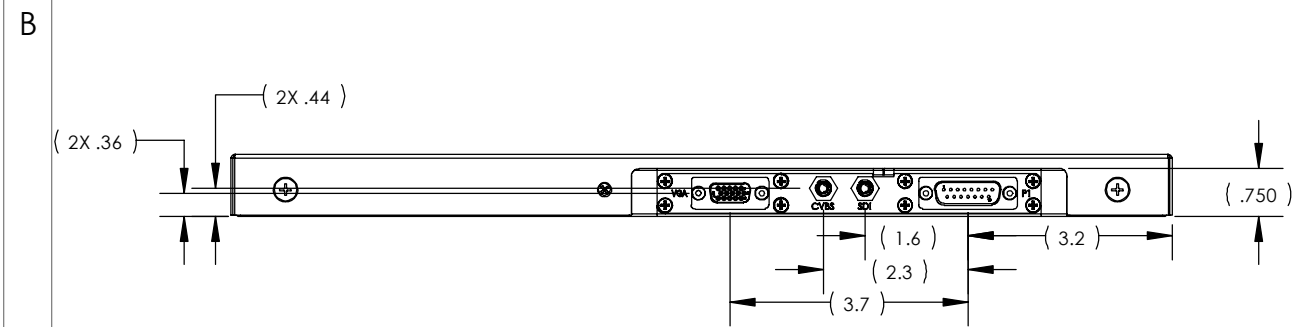
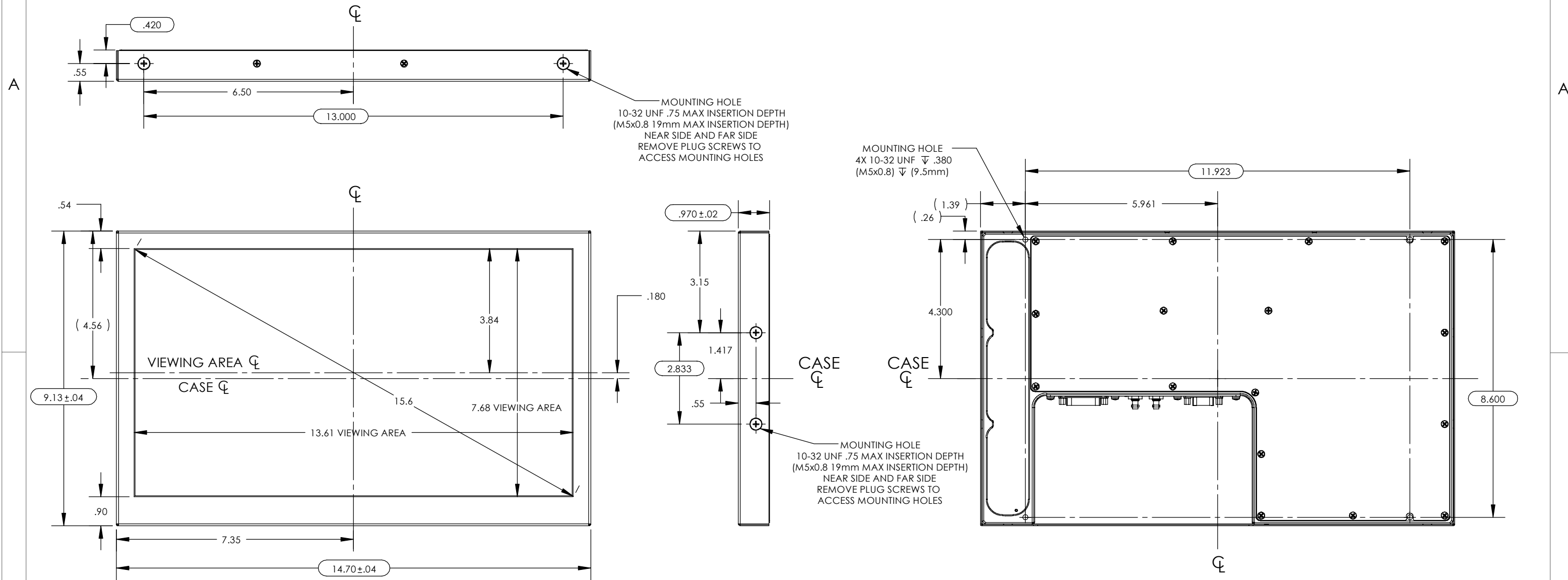
4

NOTES: (UNLESS OTHERWISE SPECIFIED)


- 1. ASSEMBLY WEIGHT: 3.24 LBS. ±10%
- 2. OBSERVE ESD SAFE HANDLING PRACTICES
- 3. MOUNTING MINIMUM OF 4 EA 10-32 (M5) FASTENERS  
ACCEPTABLE MOUNTING POSITIONS  
4 EA ON BACK OF UNIT OR  
2 EA ON EACH SIDE OF UNIT (TOTAL OF 4) OR  
2 EA ON THE TOP AND BOTTOM OF UNIT (TOTAL OF 4)
- 4. CONNECTOR KITS NOT INCLUDED
- 5.  DENOTES ROSEN AVIATION FAI INSPECTION DIMENSION

# ELECTRONIC REVISION CONTROLLED

REVISIONS					
ZONE	REV	DESCRIPTION	DATE	BY	EC NO.
	1.0	INITIAL RELEASE	07/02/13	JDC	NEC13-100
	A	ALPHA RELEASE NO CHANGES	07/16/13	DE	13-0258
PG2	B	RESERVE P1 PIN 12	07/29/13	DE	13-0276
PG2	C	EMISSION OF RF ENERGY CHG TO CAT H	09/11/13	JC	13-0343



THE INFORMATION CONTAINED HEREIN IS PROPRIETARY TO ROSEN AVIATION, LLC. IT SHALL NOT BE REPRODUCED OR DISCLOSED IN WHOLE OR IN PART OR USED FOR ANY DESIGN OR MANUFACTURE EXCEPT WHEN SUCH USER POSSESSES DIRECT, WRITTEN AUTHORIZATION FROM ROSEN AVIATION, LLC. THIS DRAWING MAY BE COVERED UNDER ONE OR MORE U.S. OR INTERNATIONAL PATENTS, PLEASE CONTACT ROSEN AVIATION FOR SPECIFIC INFORMATION.

	1020 OWEN LOOP SOUTH EUGENE, OREGON 97402 TEL: (541) 342-3802 FAX: (541) 342-4912		APPROVALS	INITIAL	DATE
			DRAWN BY	JDC	7/2/13
			CHECKER	DE	07/15/13
			ENGINEER	JC	07/15/13
TITLE <b>OUTLINE &amp; INSTALLATION DRAWING</b> <b>15.6" BULKHEAD AIO</b>			1560-001-CD		
FIRST CALLED FOR: (FCF) <b>15.6in AIO - 302</b>			SIZE		REV
			<b>B</b>		<b>C</b>
			SCALE: 1:3	SHEET 1 OF 2	

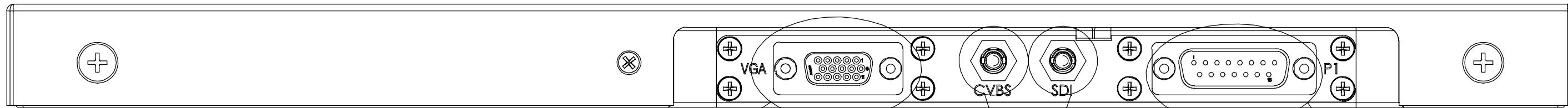
UNLESS OTHERWISE SPECIFIED DIMENSIONS ARE IN INCHES  
 .X = ±.1  
 .XX = ±.02  
 .XXX = ±.010  
 INTERPRET DIM AND TOL PER ASME Y14.5M - 1994

1

2

3

4 © 2013 ROSEN AVIATION LLC



**PERFORMANCE SPECIFICATIONS (REF)**

LCD Performance *	
Screen Resolution (pixels)	1920 x 1080
Display Viewing Area (mm)	347.55mm X 196.9mm
Horizontal Viewing Angle	±80°
Vertical Viewing Angle	±80°
Contrast Ratio (Min)	400:1
Screen Brightness (Typical)	300 cd/m <sup>2</sup>

Power Requirements	
Nominal Voltage / Current	28VDC / .52 A
Inrush Current (Max)	21 A for 250uS
Current @ 18 VDC	.82 A
Power Consumption	15 W Max

Environmental Specifications	
Operating Temperature	-15°C - 55°C
Altitude	15,000ft
Humidity	95%RH
Vibration	1.48 grms
Power Input	DO-160F Cat Z
Radio Frequency Susceptibility	DO-160F Cat T
Emission of RF Energy	DO-160F Cat H

\* LCD Manufacturer's Specifications

VGA	
SUGGESTED CONNECTOR KIT (0300-055)	
CONNECTOR KIT CONTENTS	
HOUSING	TYCO 748364-1
CONTACT	TYCO 748333-2
SHELL	3M 3357-9209

CONNECTOR	
VGA	Function
1	Red In
2	Green In
3	Blue In
4	N/C
5	N/C
6	Red Return
7	Green Return
8	Blue Return
9	N/C
10	GND
11	N/C
12	VGA-SDA
13	Hsync
14	Vsync
15	VGA-SCL

CVBS / SDI	
SUGGESTED MATING CONNECTOR (HD-BNC PLUG)	
For reference information see: <a href="http://hdbnc.amphenolrf.com">http://hdbnc.amphenolrf.com</a>	
REF: Amphenol APH-BNCJ-HDBNCP	

P1 (POWER AND COMM)	
SUGGESTED CONNECTOR KIT (0300-053)	
CONNECTOR KIT CONTENTS	
HOUSING	AMP 205205-2
CONTACT	AMP 66504-3
SHELL	ITT Cannon DA24658

CONNECTOR	
P1	Function
1	Return
2	28 VDC
3	IR 3.3 VDC Out
4	Communication GND
5	IR-In
6	Software Function (GND for Venue)
7	RESERVED
8	RS-232-RX
9	RS-232-TX
10	RS-485A
11	RS-485B
12	RESERVED
13	Discrete In #1 (Source Select)
14	Discrete In #2 (On / Off)
15	Chassis GND

THE INFORMATION CONTAINED HEREIN IS PROPRIETARY TO ROSEN AVIATION, LLC. IT SHALL NOT BE REPRODUCED OR DISCLOSED IN WHOLE OR IN PART OR USED FOR ANY DESIGN OR MANUFACTURE EXCEPT WHEN SUCH USER POSSESSES DIRECT, WRITTEN AUTHORIZATION FROM ROSEN AVIATION, LLC. THIS DRAWING MAY BE COVERED UNDER ONE OR MORE U.S. OR INTERNATIONAL PATENTS, PLEASE CONTACT ROSEN AVIATION FOR SPECIFIC INFORMATION.



1020 OWEN LOOP SOUTH  
EUGENE, OREGON 97402  
TEL: (541) 342-3802 FAX: (541) 342-4912

SIZE	<b>B</b>	1560-001-CD	REV	<b>C</b>
SCALE:	1:1	SHEET 2 OF 2		