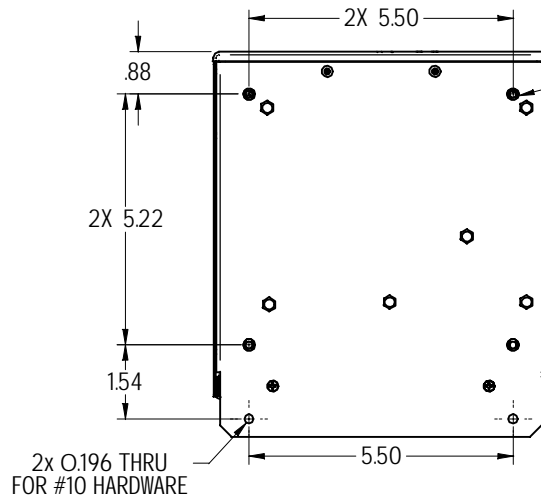
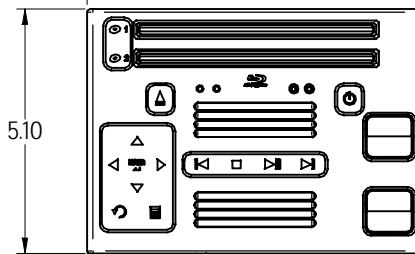
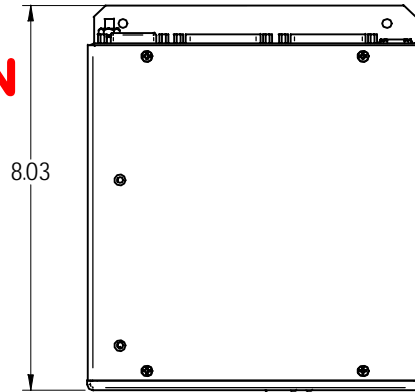
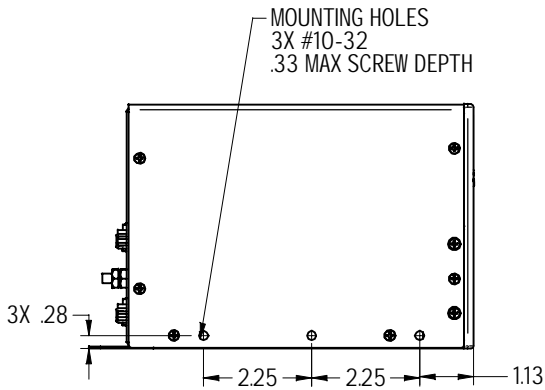


NOTES: (unless otherwise specified)

1. ASSEMBLY WEIGHT: 5.12 LBS. ±5%
2. DO NOT PLUG OR UNPLUG PLAYER WHEN POWER IS APPLIED
3. MAINTAIN 1/2" MIN CLEARANCE TO FRONT AND REAR OF PLAYER
4. PLAYER REQUIRES 6.6 SQ IN. OF VENTING AREA IF ENCLOSED IN A CABINET.
5. CONNECTOR KITS NOT INCLUDED

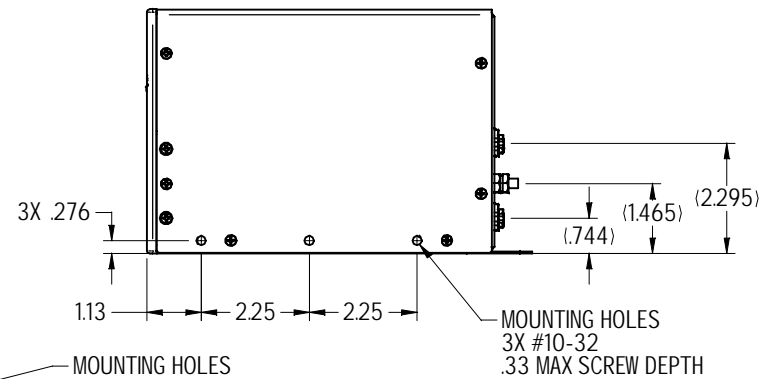
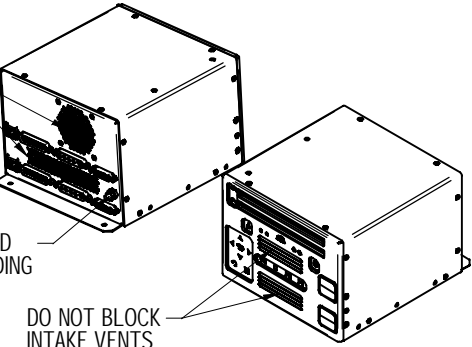
ELECTRONIC REVISION CONTROLLED



REVISIONS						
ZONE	REV	DESCRIPTION	DATE	BY	CHG NO	APRV
	A	INITIAL DRAWING RELEASE	10/27/11	GJH	EC11622	
PG2	B	CHG DESCRIPTION OF MAIN CONN PINS 29 & 30	04/12/12	DE	12-0222	MCS
	C	UPDATED FOR ANALOG SUNSET	03/07/16	BEF	16-0060	LJR
	D	ADDED .XXX TO TOL BLOCK	05/09/16	LJR	16-0189	BEF

DO NOT BLOCK
EXHAUST VENT HOLES

#10-32 STUD
FOR GROUNDING



THE INFORMATION CONTAINED HEREIN IS PROPRIETARY TO ROSEN AVIATION, LLC. IT SHALL NOT BE REPRODUCED OR DISCLOSED IN WHOLE OR IN PART OR USED FOR ANY DESIGN OR MANUFACTURE EXCEPT WHEN SUCH USER POSSESSES DIRECT, WRITTEN AUTHORIZATION FROM ROSEN AVIATION. THIS DRAWING MAY BE COVERED UNDER ONE OR MORE U.S. OR INTERNATIONAL PATENTS. PLEASE CONTACT ROSEN AVIATION FOR SPECIFIC INFORMATION.

<p>1020 OWEN LOOP SOUTH EUGENE, OREGON 97402 TEL: (541) 342-3802 FAX: (541) 342-4912</p>	APPROVALS	INITIAL	DATE
	DRAWN BY	GJH	10/05/11
	CHECKER	MCS	10/20/11
	ENGINEER	GJH	10/21/11
TITLE DUAL BLU-RAY DVD PLAYER			DWG NO 0602-200-CD
FIRST CALLED FOR: (FCF)			SCALE 1:4 SHEET 1 of 2
			REV D

UNLESS OTHERWISE SPECIFIED DIMENSIONS ARE IN INCHES
X = ± .100
XX = ± .030
.XXX = ± .015
R = ± 5.0°
RADI ± .020
INTERPRET DIM AND TOL PER ASME Y14.5M - 1994

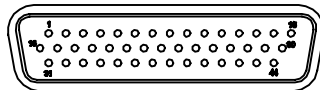
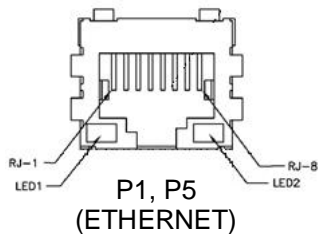
Main Connectors (one for each drive)

Connector Type: DB44 HD Male Rosen Connector Kit: 0300-038			
Pin #	Function	Pin #	Function
1	28V DC Return	23	Volume-Controlled Front Audio Return
2	IR+5V Out*	24	Volume-Controlled Surround Audio Return
3	RS485 +	25	Fixed-Level Left Audio Return
4	RS485 +	26	Fixed-Level Right Audio Return
5	GND (RS485 Return)	27	Volume-Controlled Center/Bass Audio Return
6	NC	28	Volume-Controlled Rear Audio Return
7	NC	29	Pilot Override
8	Volume-Controlled Left Front Audio (line-level)	30	NC
9	Volume-Controlled Left Surround Audio (line-level)	31	28V DC Return
10	Fixed-Level Left Audio (line-level)****	32	External IR In **
11	Volume-Controlled Center Audio (line-level)	33	RS232-TX Control
12	Volume-Controlled Left Rear Audio (line-level)	34	RS232-RX Control
13	GND (RS485 Return)	35	GND (RS232 Return)
14	Discrete Relay Output ***	36	NC
15	GND (External +5Vdc Return)	37	NC
16	+28V DC In	38	Volume-Controlled Right Front Audio (line-level)
17	+28V DC In	39	Volume-Controlled Right Surround Audio (line-level)
18	External +5 VDC Out	40	Fixed-Level Right Audio (line-level)****
19	RS485 -	41	Volume-Controlled Bass Subwoofer Audio (line-level)
20	RS485 -	42	Volume-Controlled Right Rear Audio (line-level)
21	GND (RS485 Return)	43	NC
22	NC	44	GND (External IR Return)

- * IR + 5V Out is usually connected to an external IR receiver module, 100 mA maximum.
- ** Do Not connect an unmodulated IR receiver such as a pin diode from an IR repeater.
Do not connect any device that has a signal voltage greater than 5V.
- *** Discrete Relay Output switches to GND when activated
- ****Fixed-level can be adjusted
- *+ Analog Sunset See Tech Manual

Ethernet Connectors (one for each drive)

Connector Type: 8p8c RJ45	
Pin #	Function
1	TX+
2	TX-
3	RX+
4	NC
5	NC
6	RX-
7	NC
8	NC



P2, P6 (MAIN)

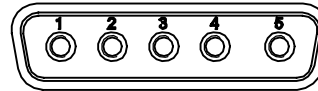
Performance Specifications (for each drive) (Reference)

Power Requirements	
Nominal Voltage/Current	28VDC/0.8A
Inrush Current	44A
Op Voltage Range	18-32 V
Maximum Current Draw	1.28A
Power Consumption	23W

Environmental Specifications	
Operating Temperature	0°C to 45°C
Altitude	DO-160F A1 (15,000 ft)
Humidity	DO-160F A
Vibration	DO-160F S curve B
Power Input	DO-160F CAT Z (A)
Radio Frequency Susceptibility	DO-160F CAT T
Emission of RF Energy	DO-160F CAT M

SDI/CVBS/SPDIF Connectors (one for each drive)

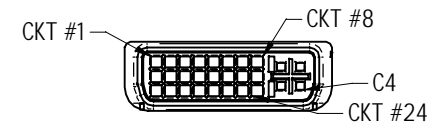
Connector Type: 5W5 Male Rosen Connector Kit: 0300-040	
Pin #	Function
1	S/SPDIF Digital Audio
2	CVBS_2 Composite *+
3	SDI_2 (SCRAMBLED)
4	SDI_1 (SCRAMBLED)
5	CVBS_1 Composite *+



P3, P7 (SDI/CVBS/SPDIF)

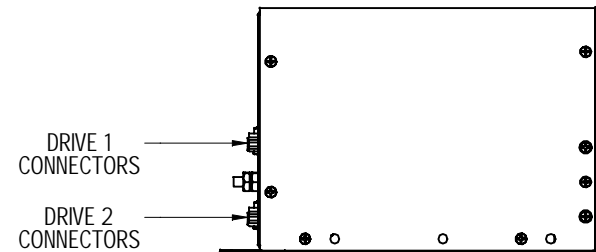
Component/Digital Connectors (one for each drive)

Connector Type: DVI-I Receptacle Rosen Connector Kit: 0300-029 Analog Component Video Digital DVI/HDMI Audio & Video			
Pin #	Function	Pin #	Function
1	TMDS Data2-	16	Hot Plug Detect
2	TMDS Data2+	17	TMDS Data0-
3	TMDS Data2 Shield	18	TMDSData0+
4	NC	19	TMDS Data0 Shield
5	NC	20	NC
6	DDC Clock [SCL]	21	NC
7	DDC Data [SDA]	22	TMDS Clock Shield
8	NC	23	TMDS Clock +
9	TMDS Data1-	24	TMDS Clock -
10	TMDS Data1+	C1	Analog Component Pr *+
11	TMDS Data1 Shield	C2	Analog Component Y *+
12	NC	C3	Analog Component Pb *+
13	NC	C4	NC
14	+5 V Power Out	C5	Analog Component Return
15	Ground (for +5 V)		



P4, P8 (COMPONENT/DIGITAL)

ACCEPTABLE MOUNTING ORIENTATION



HORIZONTAL

THE INFORMATION CONTAINED HEREIN IS PROPRIETARY TO ROSEN AVIATION, LLC. IT SHALL NOT BE REPRODUCED OR DISCLOSED IN WHOLE OR IN PART OR USED FOR ANY DESIGN OR MANUFACTURE EXCEPT WHEN SUCH USER POSSESSES DIRECT WRITTEN AUTHORIZATION FROM ROSEN AVIATION, LLC. THIS DRAWING MAY BE COVERED UNDER ONE OR MORE U.S. OR INTERNATIONAL PATENTS. PLEASE CONTACT ROSEN AVIATION FOR SPECIFIC INFORMATION.

ROSEN AVIATION	1020 OWEN LOOP SOUTH EUGENE, OREGON 97402 TEL: (541) 342-3802 FAX: (541) 342-4912	SIZE DWG NO A 0602-200-CD	REV D
	SCALE NONE	SHEET 2 of 2	